



Chipsmall Limited consists of a professional team with an average of over 10 year of expertise in the distribution of electronic components. Based in Hongkong, we have already established firm and mutual-benefit business relationships with customers from,Europe,America and south Asia,supplying obsolete and hard-to-find components to meet their specific needs.

With the principle of "Quality Parts,Customers Priority,Honest Operation,and Considerate Service",our business mainly focus on the distribution of electronic components. Line cards we deal with include Microchip,ALPS,ROHM,Xilinx,Pulse,ON,Everlight and Freescale. Main products comprise IC,Modules,Potentiometer,IC Socket,Relay,Connector.Our parts cover such applications as commercial,industrial, and automotives areas.

We are looking forward to setting up business relationship with you and hope to provide you with the best service and solution. Let us make a better world for our industry!



## Contact us

Tel: +86-755-8981 8866 Fax: +86-755-8427 6832

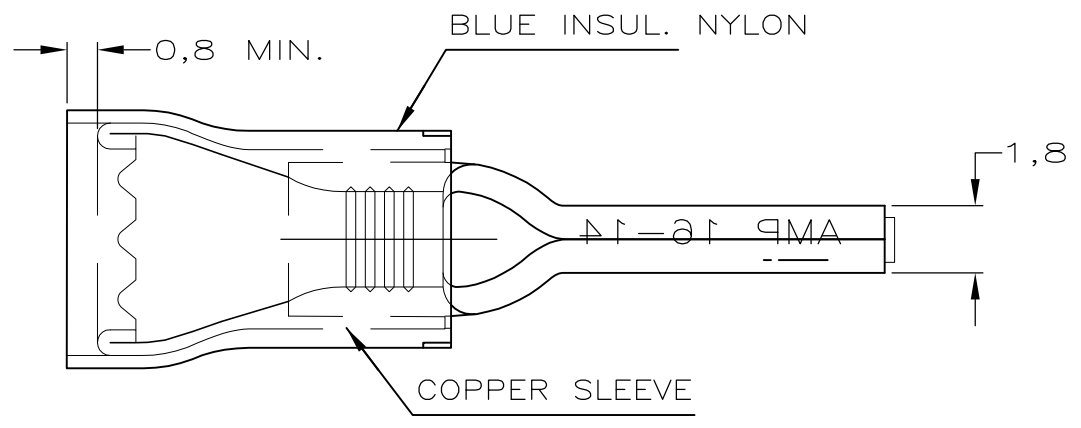
Email & Skype: info@chipsmall.com Web: www.chipsmall.com

Address: A1208, Overseas Decoration Building, #122 Zhenhua RD., Futian, Shenzhen, China

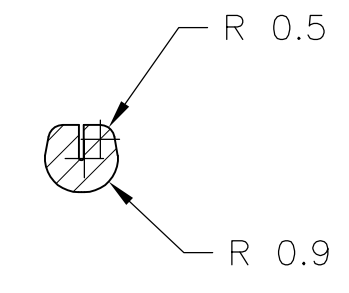
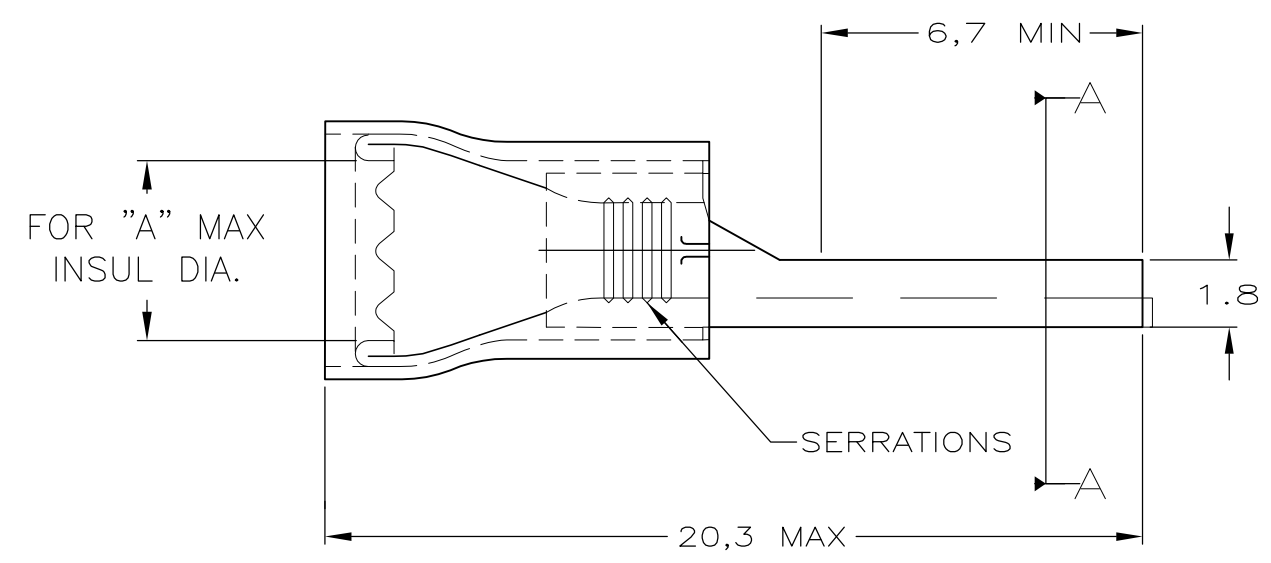


THIS DRAWING IS UNPUBLISHED. RELEASED FOR PUBLICATION  
 © COPYRIGHT - BY TYCO ELECTRONICS CORPORATION. ALL RIGHTS RESERVED.

LOC	DIST	REVISIONS					
G	86	P	LTR	DESCRIPTION	DATE	DWN	APVD
		G		REV PER ECR 07-023647	12OCT07	JR	TM



WIRE RANGE:  
 1.0-2.6mm<sup>2</sup>  
 ( 16-14 AWG )  
 INSULATION RANGE:  
 "A" MAX



SECTION A - A

2-165046-1	165046
PART NO ON TAPE	PART NO

1000	4.6	TIN PLATED	COPPER	165046-1
1000	4.3	TIN PLATED	COPPER	165046
PACKAGE QTY	DIM "A"	FINISH	MATERIAL	PART NO

THIS DRAWING IS A CONTROLLED DOCUMENT.		DWN JR RUTH 01JUN07	Tyco Electronics Corporation Harrisburg, Pa 17105-3608		
DIMENSIONS: mm		CHK T MICHELUTTI 01JUN07			
		APVD T MICHELUTTI 01JUN07	PRODUCT SPEC -		
TOLERANCES UNLESS OTHERWISE SPECIFIED:		APPLICATION SPEC -		RESTRICTED TO -	
MATERIAL -		WEIGHT -		SIZE A3	
FINISH -		CUSTOMER DRAWING		CAGE CODE 00779	
		DRAWING NO G-165046		SCALE 5:1	
				SHEET 1 OF 1	
				REV G	