



Chipsmall Limited consists of a professional team with an average of over 10 year of expertise in the distribution of electronic components. Based in Hongkong, we have already established firm and mutual-benefit business relationships with customers from,Europe,America and south Asia,supplying obsolete and hard-to-find components to meet their specific needs.

With the principle of “Quality Parts,Customers Priority,Honest Operation,and Considerate Service”,our business mainly focus on the distribution of electronic components. Line cards we deal with include Microchip,ALPS,ROHM,Xilinx,Pulse,ON,Everlight and Freescale. Main products comprise IC,Modules,Potentiometer,IC Socket,Relay,Connector.Our parts cover such applications as commercial,industrial, and automotives areas.

We are looking forward to setting up business relationship with you and hope to provide you with the best service and solution. Let us make a better world for our industry!



Contact us

Tel: +86-755-8981 8866 Fax: +86-755-8427 6832

Email & Skype: info@chipsmall.com Web: www.chipsmall.com

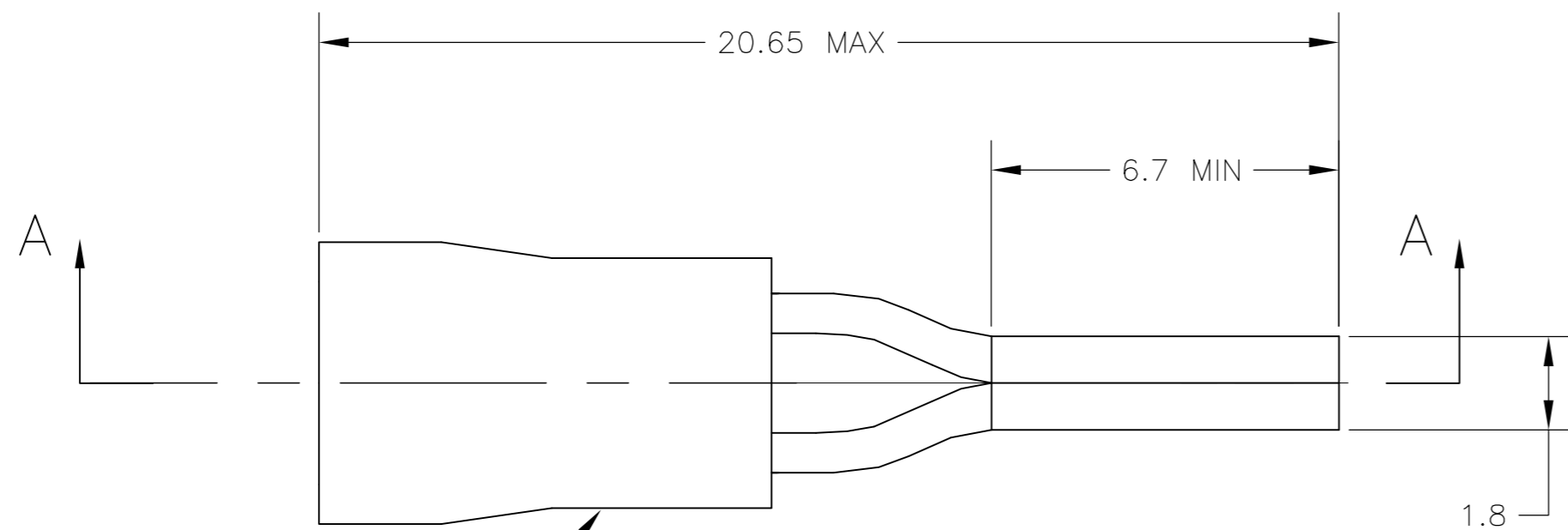
Address: A1208, Overseas Decoration Building, #122 Zhenhua RD., Futian, Shenzhen, China



THIS DRAWING IS UNPUBLISHED. RELEASED FOR PUBLICATION
 © COPYRIGHT - By - ALL RIGHTS RESERVED.

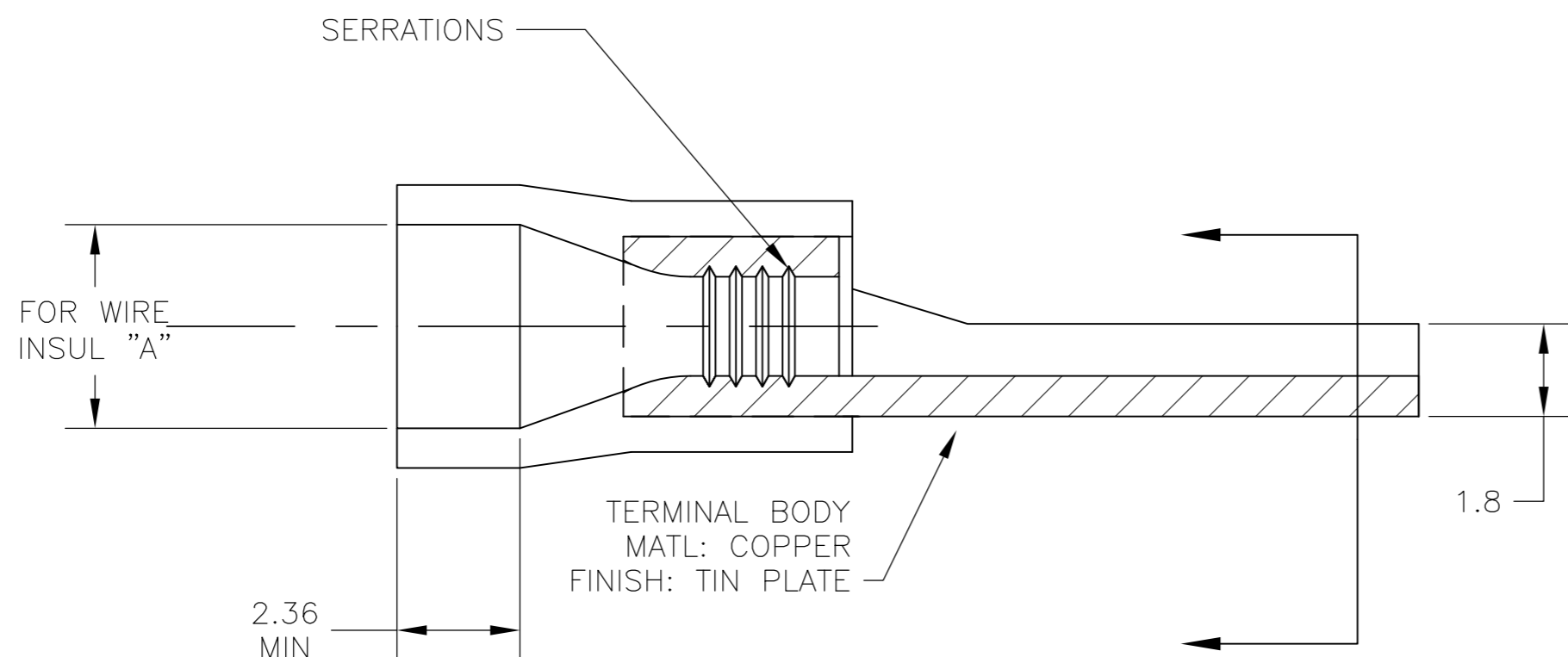
LOC	DIST	REVISIONS			
P	LTR	DESCRIPTION	DATE	DWN	APVD
G	14	K1	REVISED PER ECO-11-004917	11MAR11	RK HMR

- 1 PRELIMINARY - NOT FOR PRODUCTION
- 2 SUPERSEDED BY 165075

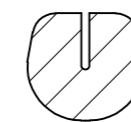


INSULATION SLEEVE
 MATERIAL: PVC
 COLOR: BLUE

AMP WIRE RANGE	RU FILE E13288
16-14 AWG STRANDED	16-14 AWG STRANDED



SECTION A-A



	.115-.170	2 165075-1
1 2-165075-0	.115-.190	165075
PART NO	FOR WIRE INSULATION "A"	PART NO

THIS DRAWING IS A CONTROLLED DOCUMENT.		DWN jr ruth 04JUN07	TE Connectivity	
DIMENSIONS: MM INCHES		CHK T MICHIELUTTI 04JUN07	NAME T MICHIELUTTI	
TOLERANCES UNLESS OTHERWISE SPECIFIED: 0 PLC ± - 1 PLC ± 0.5 2 PLC ± 0.20 3 PLC ± - 4 PLC ± - ANGLES ± 1°		APVD T MICHIELUTTI 04JUN07	PRODUCT SPEC -	
MATERIAL -		FINISH -	APPLICATION SPEC -	RESTRICTED TO -
WEIGHT -		SIZE A2	CAGE CODE 00779	DRAWING NO C=165075
CUSTOMER DRAWING		SCALE 8:1	SHEET 1 of 1	REV K1