



Chipsmall Limited consists of a professional team with an average of over 10 year of expertise in the distribution of electronic components. Based in Hongkong, we have already established firm and mutual-benefit business relationships with customers from,Europe,America and south Asia,supplying obsolete and hard-to-find components to meet their specific needs.

With the principle of “Quality Parts,Customers Priority,Honest Operation,and Considerate Service”,our business mainly focus on the distribution of electronic components. Line cards we deal with include Microchip,ALPS,ROHM,Xilinx,Pulse,ON,Everlight and Freescale. Main products comprise IC,Modules,Potentiometer,IC Socket,Relay,Connector.Our parts cover such applications as commercial,industrial, and automotives areas.

We are looking forward to setting up business relationship with you and hope to provide you with the best service and solution. Let us make a better world for our industry!



Contact us

Tel: +86-755-8981 8866 Fax: +86-755-8427 6832

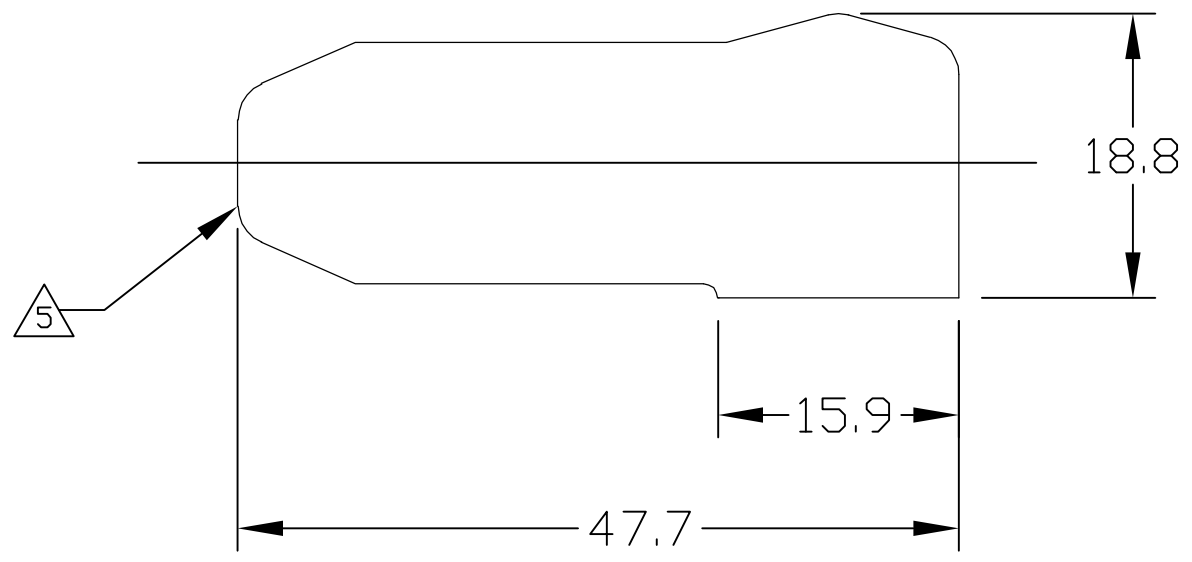
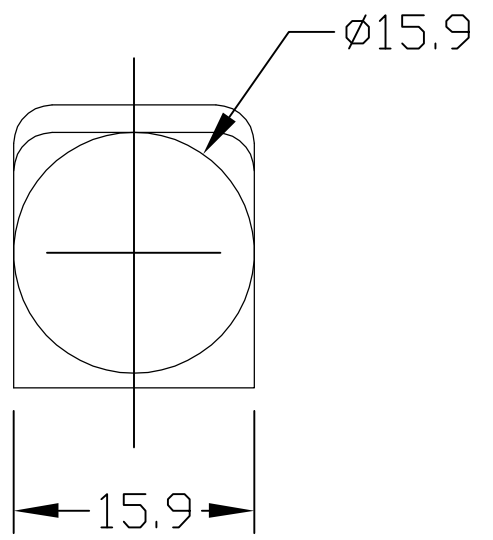
Email & Skype: info@chipsmall.com Web: www.chipsmall.com

Address: A1208, Overseas Decoration Building, #122 Zhenhua RD., Futian, Shenzhen, China



THIS DRAWING IS UNPUBLISHED. RELEASED FOR PUBLICATION
 © COPYRIGHT BY TYCO ELECTRONICS CORPORATION. ALL RIGHTS RESERVED.

LOC	DIST	REVISIONS					
GP	00	P	LTR	DESCRIPTION	DATE	DWN	APVD
			C	REV PER ECO-06-006253	16MAR06	RG	MP



- 5 CABLE ENTRY OF BOOT IS MOULDED SOLID AND CROPPED TO SUIT CABLE USED BY CUSTOMER.
- MATERIAL: ALL COLORS TO BE FIRE RETARDANT GRADE PVC 55 SHORE A, RATED TO UL94V-0. COLORS: SEE TABLE
 - FINISH: GLOSSY, CLEAN WITH NO INTERNAL & EXTERNAL BURRS.
 - ITEMS PROVIDED TO THIS SPECIFICATION SHALL BE IDENTIFIED ON THE CONTAINER WITH THE FOLLOWING INFORMATION: PART NUMBER & DATE CODE OF MANUFACTURE.
 - PART NUMBER CHANGES AND OR DESIGN CHANGES AFFECTING ITEM INTERCHANGEABILITY REQUIRE PRIOR TYCO APPROVAL AND AUTHORIZATION BY REVISION TO THIS DRAWING.

1651003-4	BLUE
1651003-3	GREY
1651003-2	RED
1651003-1	BLACK
TYCO PN	COLOR

THIS DRAWING IS A CONTROLLED DOCUMENT.		DWN NGUYEN/GRZYBOWSKI 28AUG00	Tyco Electronics Corporation Harrisburg, PA 17105-3608	
DIMENSIONS: mm		CHK -	NAME D.CHAU	
TOLERANCES UNLESS OTHERWISE SPECIFIED:		APVD 25FEB05	PRODUCT SPEC	
0 PLC ± -		APPLICATION SPEC		
1 PLC ± .50		SIZE A3		
2 PLC ± .25		CAGE CODE 00779		
3 PLC ± -		DRAWING NO C-1651003		
4 PLC ± -		RESTRICTED TO -		
ANGLES ± .5		SCALE 1:1		
MATERIAL -		SHEET 1 OF 1		
FINISH -		REV C		
CUSTOMER DRAWING				

ELCON RAPID LOCK