



Chipsmall Limited consists of a professional team with an average of over 10 year of expertise in the distribution of electronic components. Based in Hongkong, we have already established firm and mutual-benefit business relationships with customers from,Europe,America and south Asia,supplying obsolete and hard-to-find components to meet their specific needs.

With the principle of "Quality Parts,Customers Priority,Honest Operation,and Considerate Service",our business mainly focus on the distribution of electronic components. Line cards we deal with include Microchip,ALPS,ROHM,Xilinx,Pulse,ON,Everlight and Freescale. Main products comprise IC,Modules,Potentiometer,IC Socket,Relay,Connector.Our parts cover such applications as commercial,industrial, and automotives areas.

We are looking forward to setting up business relationship with you and hope to provide you with the best service and solution. Let us make a better world for our industry!



Contact us

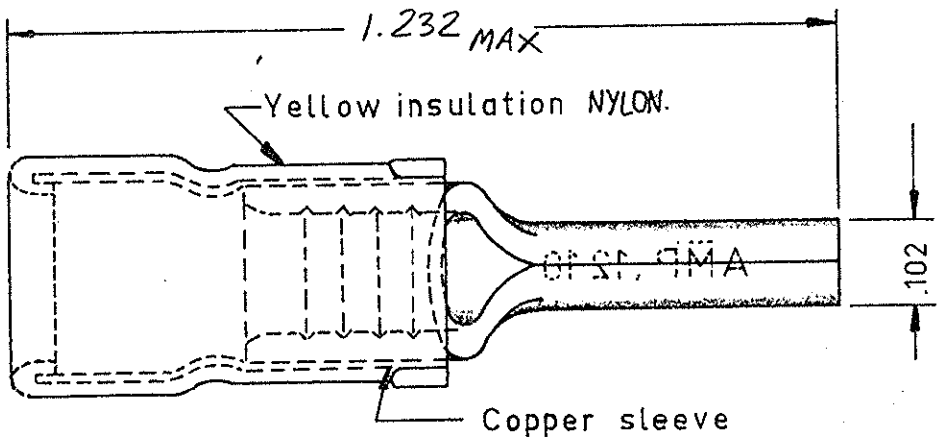
Tel: +86-755-8981 8866 Fax: +86-755-8427 6832

Email & Skype: info@chipsmall.com Web: www.chipsmall.com

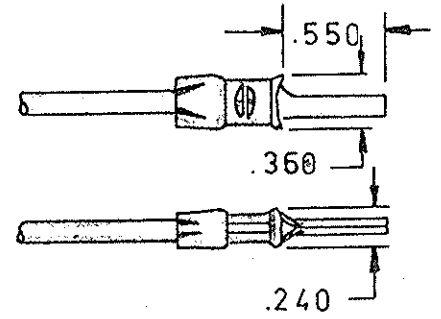
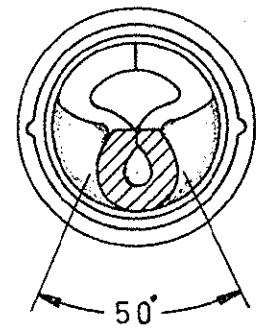
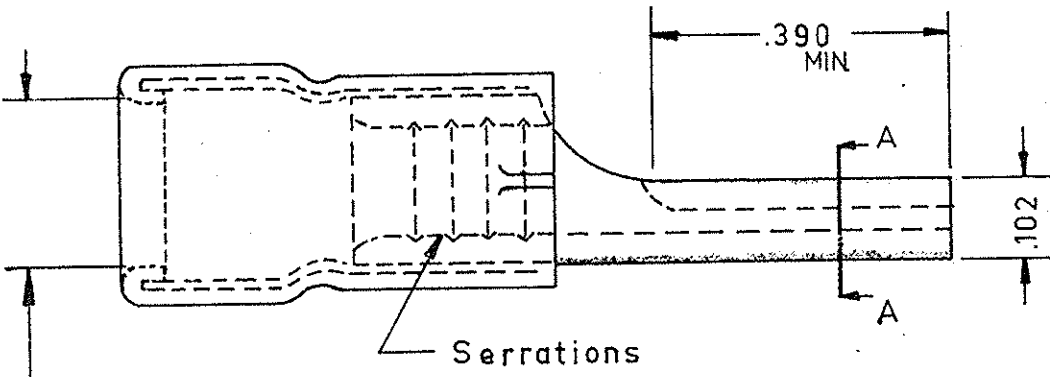
Address: A1208, Overseas Decoration Building, #122 Zhenhua RD., Futian, Shenzhen, China



DIMENSIONS IN INCHES—DO NOT SCALE PRINT



ORDER No 165133



FOR 170-300
ISOL.DIA.

VIEW A-A

CUSTOMER PRINT FOR REFERENCE ONLY		-9	-8	-7	-6	-5	-4	-3	-2	-1	DWG SIZE	NUMBER	NAME	REMARKS	ITEM NO.						
		REQUIRED PER ASSEMBLY										MATERIAL	HEAT TREAT	FINISH							
												E-Copper	<i>W</i>	Tinpl. E-Cu							
												AMP	DR <i>mr3lank</i> 21-2-63	DATE APP	DATE REL	DATE					
												AMP-HOLLAND N.V.	CH <i>J. Honvalk</i> 22-11-63	DATE APP	DATE FIRST USED TOL						
												HOLLAND	TYPE	PRINT	DIST	LOC	SIZE	NUMBER	REV		
												N.T.S.	WIRE SIZE	CMA	NAME	C-165133-EE			C		
													12-10	MAX	WIRE PIN P.I.D.G.						
													MIN								
												DESCRIPTION									

©1963 BY AMP Holland N.V. ALL RIGHTS RESERVED. AMP PRODUCTS COVERED BY PATENTS AND/OR PATENTS PENDING.