



Chipsmall Limited consists of a professional team with an average of over 10 year of expertise in the distribution of electronic components. Based in Hongkong, we have already established firm and mutual-benefit business relationships with customers from,Europe,America and south Asia,supplying obsolete and hard-to-find components to meet their specific needs.

With the principle of “Quality Parts,Customers Priority,Honest Operation,and Considerate Service”,our business mainly focus on the distribution of electronic components. Line cards we deal with include Microchip,ALPS,ROHM,Xilinx,Pulse,ON,Everlight and Freescale. Main products comprise IC,Modules,Potentiometer,IC Socket,Relay,Connector.Our parts cover such applications as commercial,industrial, and automotives areas.

We are looking forward to setting up business relationship with you and hope to provide you with the best service and solution. Let us make a better world for our industry!



Contact us

Tel: +86-755-8981 8866 Fax: +86-755-8427 6832

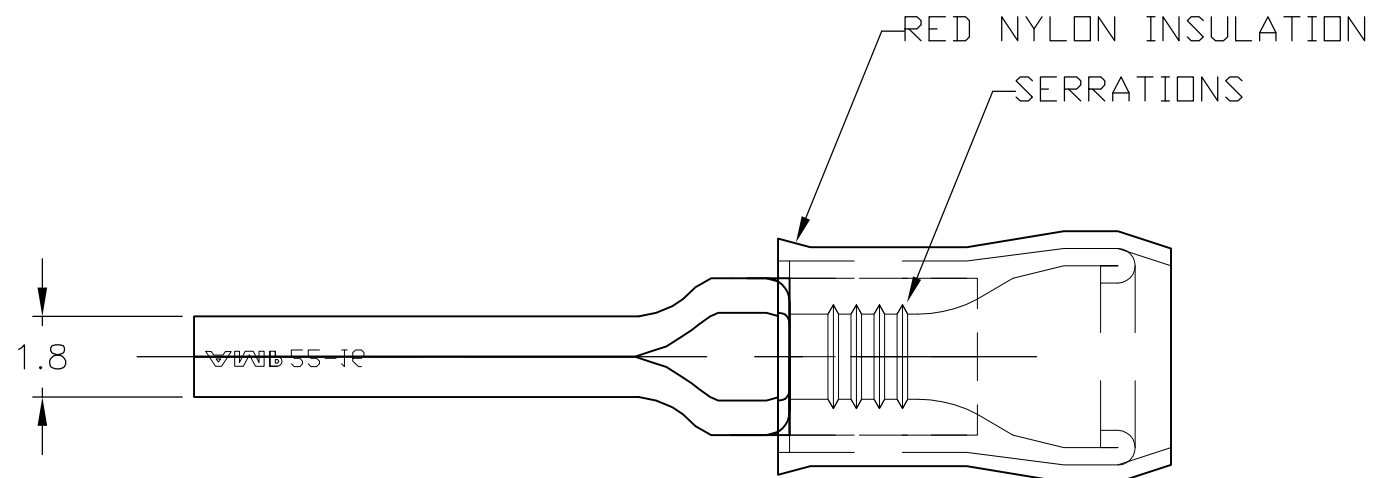
Email & Skype: info@chipsmall.com Web: www.chipsmall.com

Address: A1208, Overseas Decoration Building, #122 Zhenhua RD., Futian, Shenzhen, China

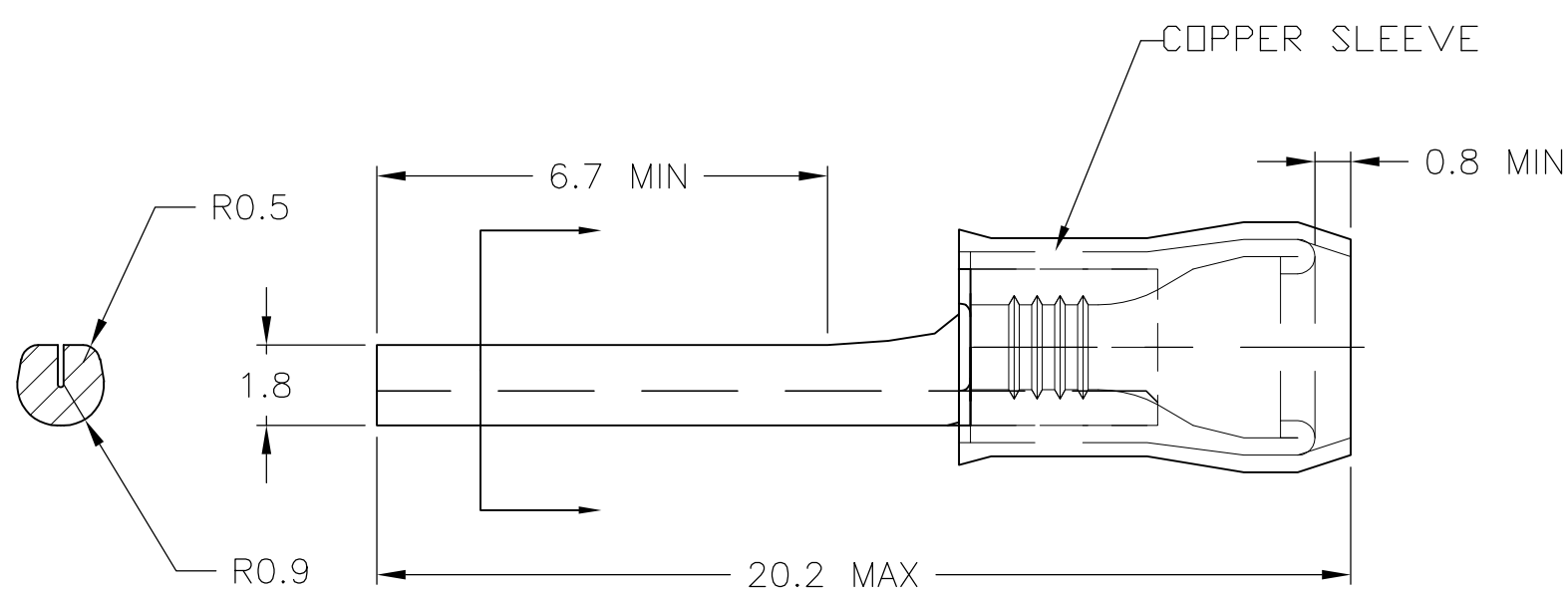


THIS DRAWING IS UNPUBLISHED. RELEASED FOR PUBLICATION
 © COPYRIGHT - By - ALL RIGHTS RESERVED.

| LOC | DIST | REVISIONS | | | | | |
|-----|------|-----------|-----|---------------------------|---------|-----|------|
| | | P | LTR | DESCRIPTION | DATE | DWN | APVD |
| G | 14 | | | | | | |
| | | | G1 | REVISED PER ECO-11-004917 | 11MAR11 | RK | HMR |



- 1 WIRE INSULATION DIA.
3.6 MAX DIA.
- 2 MATERIAL: BODY - CU PER ASTM B152
SLEEVE - CU PER ASTM B152
INSULATION - NYLON
- 3 FINISH: BODY - TIN PL ASTM B545
SLEEVE - TIN PL ASTM B545
INSULATION - COLOR - RED



| | | | |
|------------------------|------|--------------|------------|
| SUPERSEDED BY 696153-2 | 5000 | ON TAPE | 2-165142-1 |
| | -- | LOOSE PIECE | 165142-0 |
| | QTY | PACKAGE TYPE | PART NO |

| | | | | | | | | | |
|--|--|---|--|---|----------------------------------|-----------------|-----------|------------|---------------|
| CUSTOMER SERVICE SYSTEMS | | MAX RECOMMENDED OPERATING TEMPERATURE: 90°C [194°F] | THIS DRAWING IS A CONTROLLED DOCUMENT. | | DWN JR RUTH 19JAN00 | TE Connectivity | | | |
| FOR ADDITIONAL PRODUCT INFORMATION OR COPIES OF DRAWINGS AND TECHNICAL DOCUMENTS | PRODUCT INFORMATION CENTER 1-800-522-6752 | VOLTAGE RATING: - | DIMENSIONS: mm | TOLERANCES UNLESS OTHERWISE SPECIFIED: | CHK T MICHIELUTTI 19JAN00 | | | | NAME |
| FOR APPLICATION TOOLING INFORMATION | TOOLING ASSISTANCE CENTER 1-800-722-1111 | CIRCULAR MIL AREA: 0.25-1.6mm ² [493-3158] STRANDED | | 0 PLC ± - 1 PLC ± 0.38 [.015] 2 PLC ± 0.20 [.008] 3 PLC ± - 4 PLC ± - ANGLES ± - | APVD T MICHIELUTTI 19JAN00 | PRODUCT SPEC | | | |
| FOR ORDER ENTRY | 1-800-526-5142 | THIS DRAWING IS A CONTROLLED DOCUMENT FOR AMP INCORPORATED. IT IS SUBJECT TO CHANGE AND THE CONTROLLING ENGINEERING ORGANIZATION SHOULD BE CONTACTED FOR THE LATEST REVISION. | MATERIAL | FINISH | APPLICATION SPEC | SIZE | CAGE CODE | DRAWING NO | RESTRICTED TO |
| | | | 2 | 3 | --- | A3 | 00779 | G-165142 | --- |
| CUSTOMER DRAWING | | | | | | SCALE | SHEET | REV | |
| | | | | | | 6:1 | 1 OF 1 | G1 | |