



Chipsmall Limited consists of a professional team with an average of over 10 year of expertise in the distribution of electronic components. Based in Hongkong, we have already established firm and mutual-benefit business relationships with customers from,Europe,America and south Asia,supplying obsolete and hard-to-find components to meet their specific needs.

With the principle of “Quality Parts,Customers Priority,Honest Operation,and Considerate Service”,our business mainly focus on the distribution of electronic components. Line cards we deal with include Microchip,ALPS,ROHM,Xilinx,Pulse,ON,Everlight and Freescale. Main products comprise IC,Modules,Potentiometer,IC Socket,Relay,Connector.Our parts cover such applications as commercial,industrial, and automotives areas.

We are looking forward to setting up business relationship with you and hope to provide you with the best service and solution. Let us make a better world for our industry!



Contact us

Tel: +86-755-8981 8866 Fax: +86-755-8427 6832

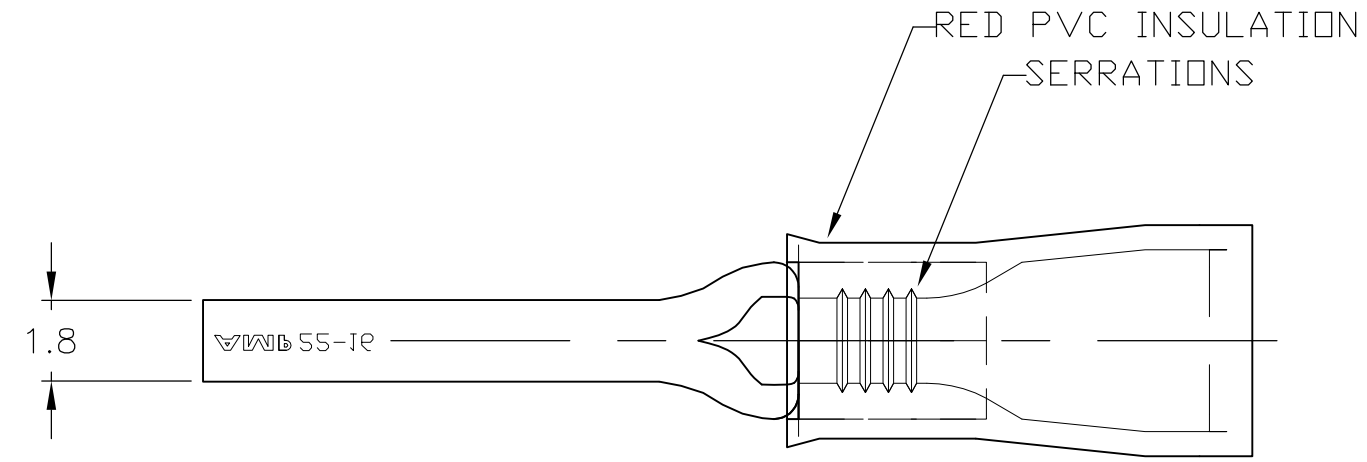
Email & Skype: info@chipsmall.com Web: www.chipsmall.com

Address: A1208, Overseas Decoration Building, #122 Zhenhua RD., Futian, Shenzhen, China



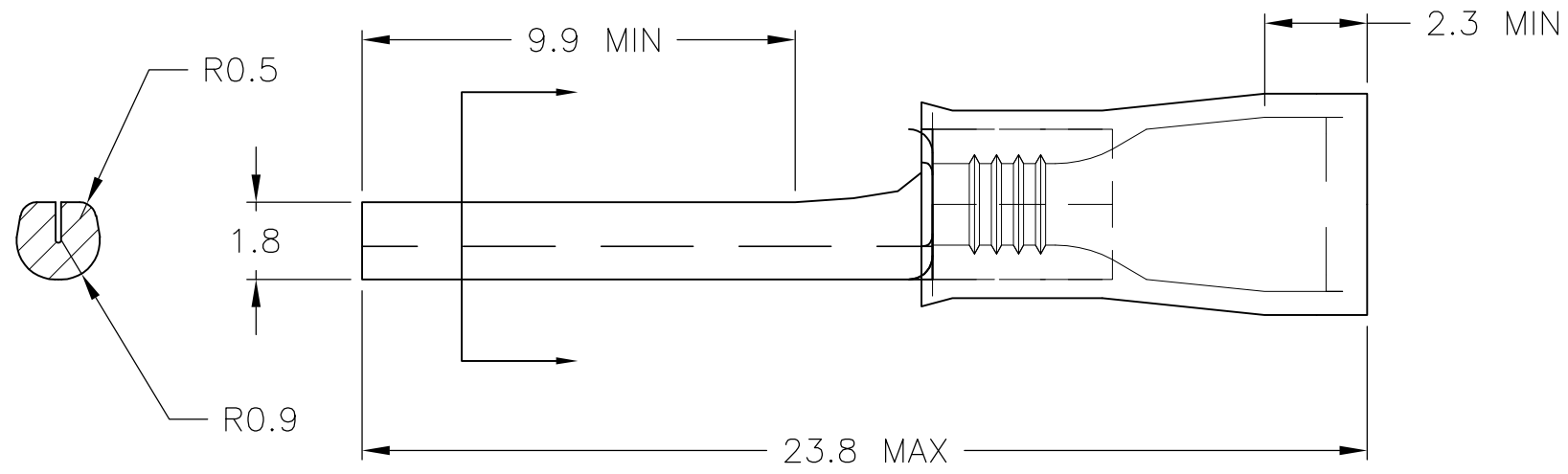
THIS DRAWING IS UNPUBLISHED. RELEASED FOR PUBLICATION
 © COPYRIGHT - By - ALL RIGHTS RESERVED.

LOC	DIST	REVISIONS			
P	LTR	DESCRIPTION	DATE	DWN	APVD
G	14	C1	REVISED PER ECO-11-004917	11MAR11	RK HMR



AMP WIRE RANGE	FILE E13288
22-16 AWG STRANDED	22-16 AWG STRANDED

- 1 WIRE INSULATION DIA. 3.6 MAX DIA.
- 2 MATERIAL: BODY - CU PER ASTM B152 INSULATION - PVC
- 3 FINISH: BODY - TIN PL ASTM B545 INSULATION - COLOR - RED



--	LOOSE PIECE	165167-0
QTY	PACKAGE TYPE	PART NO

CUSTOMER SERVICE SYSTEMS		MAX RECOMMENDED OPERATING TEMPERATURE: 90°C [194°F]	THIS DRAWING IS A CONTROLLED DOCUMENT.		DWN JR RUTH 16AUG10	TE Connectivity			
FOR ADDITIONAL PRODUCT INFORMATION OR COPIES OF DRAWINGS AND TECHNICAL DOCUMENTS	PRODUCT INFORMATION CENTER 1-800-522-6752	VOLTAGE RATING: -	DIMENSIONS: mm	TOLERANCES UNLESS OTHERWISE SPECIFIED:	CHK T MICHELUTTI 16AUG10				NAME
FOR APPLICATION TOOLING INFORMATION	TOOLING ASSISTANCE CENTER 1-800-722-1111	CIRCULAR MIL AREA: 0.25-1.6mm ² [493-3158] STRANDED		0 PLC ± - 1 PLC ± 0.38 2 PLC ± 0.20 3 PLC ± - 4 PLC ± - ANGLES ± -	APVD T MICHELUTTI 16AUG10	PRODUCT SPEC			
FOR ORDER ENTRY	1-800-526-5142	THIS DRAWING IS A CONTROLLED DOCUMENT FOR AMP INCORPORATED. IT IS SUBJECT TO CHANGE AND THE CONTROLLING ENGINEERING ORGANIZATION SHOULD BE CONTACTED FOR THE LATEST REVISION.	MATERIAL	FINISH	APPLICATION SPEC	SIZE	CAGE CODE	DRAWING NO	RESTRICTED TO
			2	3	---	A3	00779	C-165167	---
CUSTOMER DRAWING						SCALE	SHEET	REV	
						6:1	1 OF 1	C1	