



Chipsmall Limited consists of a professional team with an average of over 10 year of expertise in the distribution of electronic components. Based in Hongkong, we have already established firm and mutual-benefit business relationships with customers from,Europe,America and south Asia,supplying obsolete and hard-to-find components to meet their specific needs.

With the principle of “Quality Parts,Customers Priority,Honest Operation,and Considerate Service”,our business mainly focus on the distribution of electronic components. Line cards we deal with include Microchip,ALPS,ROHM,Xilinx,Pulse,ON,Everlight and Freescale. Main products comprise IC,Modules,Potentiometer,IC Socket,Relay,Connector.Our parts cover such applications as commercial,industrial, and automotives areas.

We are looking forward to setting up business relationship with you and hope to provide you with the best service and solution. Let us make a better world for our industry!



## Contact us

Tel: +86-755-8981 8866 Fax: +86-755-8427 6832

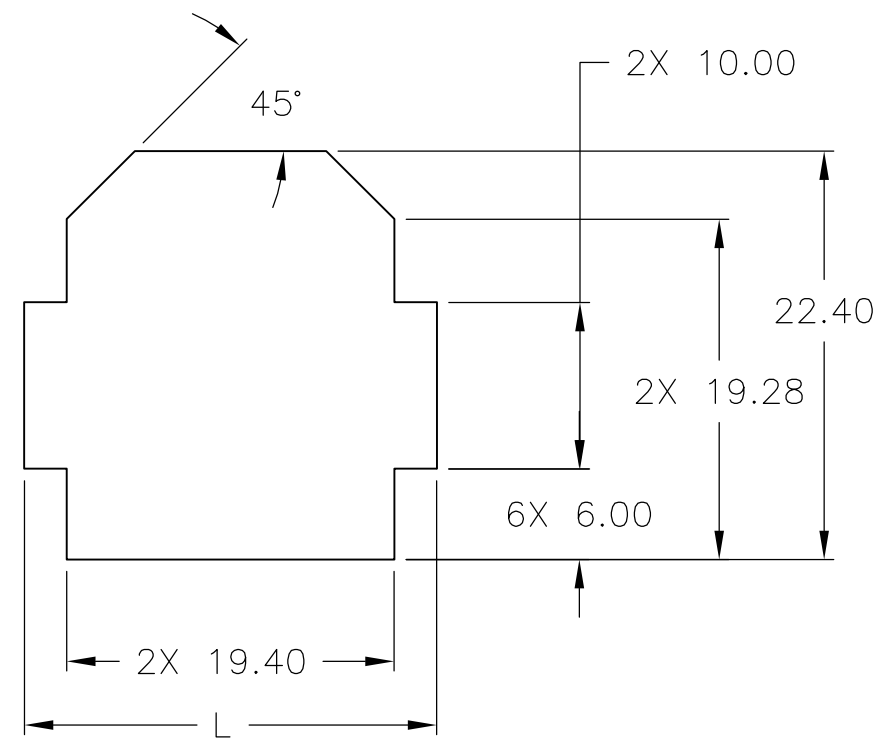
Email & Skype: info@chipsmall.com Web: www.chipsmall.com

Address: A1208, Overseas Decoration Building, #122 Zhenhua RD., Futian, Shenzhen, China



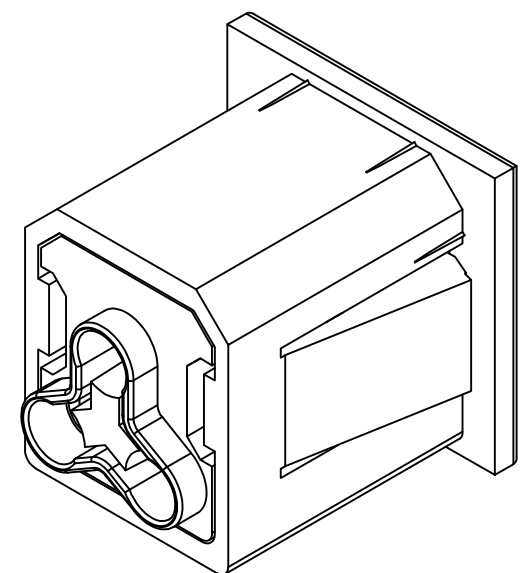
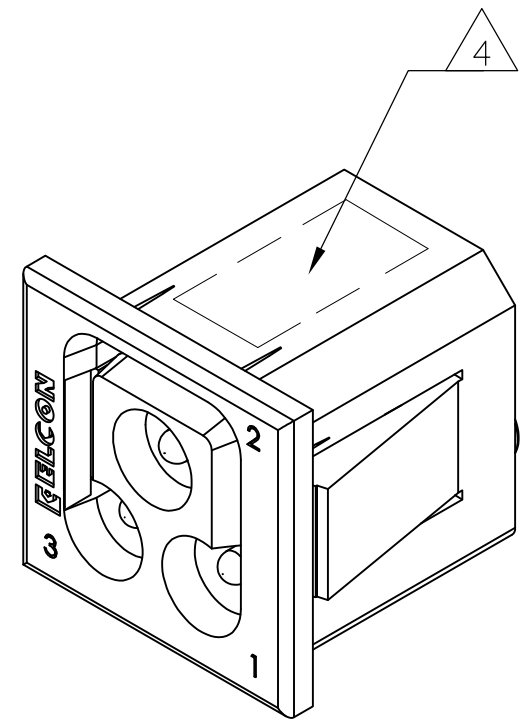
THIS DRAWING IS UNPUBLISHED. RELEASED FOR PUBLICATION  
 © COPYRIGHT BY TYCO ELECTRONICS CORPORATION. ALL RIGHTS RESERVED.

LOC	DIST	REVISIONS					
GP	00	P	LTR	DESCRIPTION	DATE	DWN	APVD
			A	NEW RELEASE	20APR07	RG	SF



1.6 +/-0.11mm	22.87 +0.2/-0
1.2 +/-0.08mm	21.67 +0.2/-0
1.0 +/-0.08mm	20.74 +0.2/-0
0.8 +/-0.07mm	19.82 +0.2/-0
PANEL THICKNESS	L

SUGGESTED PANEL CUT-OUT



- PART NUMBER CHANGES AND OR DESIGN CHANGES AFFECTING ITEM INTERCHANGEABILITY REQUIRE PRIOR TYCO APPROVAL AND AUTHORIZATION BY REVISION TO THIS DRAWING.
- MATERIALS:  
 INSULATORS: THERMOPLASTIC, GLASS REINFORCED, COLOR-BLACK UL94V-0 FLAMMABILITY RATED.  
 CONTACTS: COPPER ALLOY
- FINISH:  
 CONTACT: SELECTIVELY GOLD PLATE 0.00025 MIN THK. OVER NICKEL 0.00127 THK.
- ITEMS PROVIDED TO THIS SPECIFICATION TO BE PERMANENTLY IDENTIFIED PER THE FOLLOWING IDENTIFIER:

YEAR | WEEK  
 TYCO PART NO. | DATE CODE (e.g. 0325)  
 XXXXXX-X | XXXX

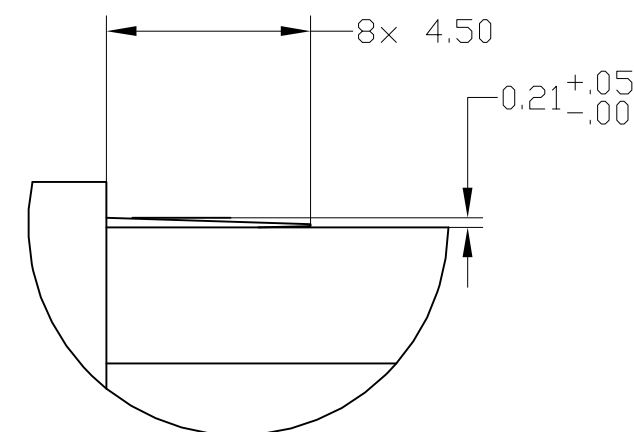
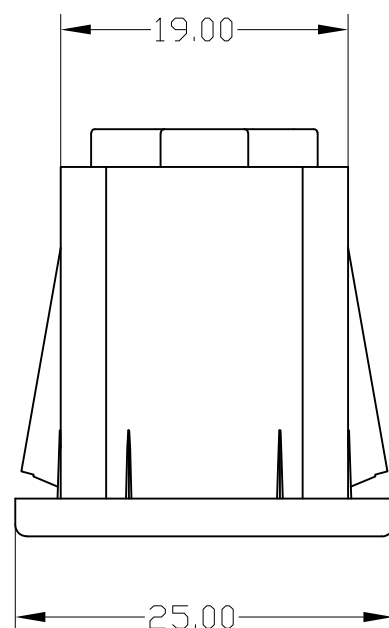
- PIN CONNECTOR MATES WITH TYCO P/N 1651701-1
- PIN FRONT, REAR HOUSINGS AND PIN CONTACTS TO BE PACKAGED SEPARATELY AND SHIPPED LOOSE.

THIS DRAWING IS A CONTROLLED DOCUMENT.		DWN R.GRZYBOWSKI 20APR2007	Tyco Electronics Corporation Harrisburg, PA 17105-3608													
DIMENSIONS: mm		CHK S.FLICKINGER 20APR07	NAME													
TOLERANCES UNLESS OTHERWISE SPECIFIED:		APVD S.FLICKINGER 20APR07	PIN CONNECTOR, PANEL DISCONNECT SIZE No. 12 X 3, CRIMP STYLE													
<table border="1"> <tr><td>0 PLC</td><td>± -</td></tr> <tr><td>1 PLC</td><td>± .5</td></tr> <tr><td>2 PLC</td><td>± .25</td></tr> <tr><td>3 PLC</td><td>± -</td></tr> <tr><td>4 PLC</td><td>± -</td></tr> <tr><td>ANGLES</td><td>± -</td></tr> </table>		0 PLC	± -	1 PLC	± .5	2 PLC	± .25	3 PLC	± -	4 PLC	± -	ANGLES	± -	PRODUCT SPEC -	SIZE A3	CAGE CODE 00779
0 PLC	± -															
1 PLC	± .5															
2 PLC	± .25															
3 PLC	± -															
4 PLC	± -															
ANGLES	± -															
MATERIAL -		APPLICATION SPEC -	DRAWING NO. C-1651700	RESTRICTED TO -												
FINISH -		WEIGHT -	SCALE 1:1	SHEET 1 OF 3												
CUSTOMER DRAWING			REV A													

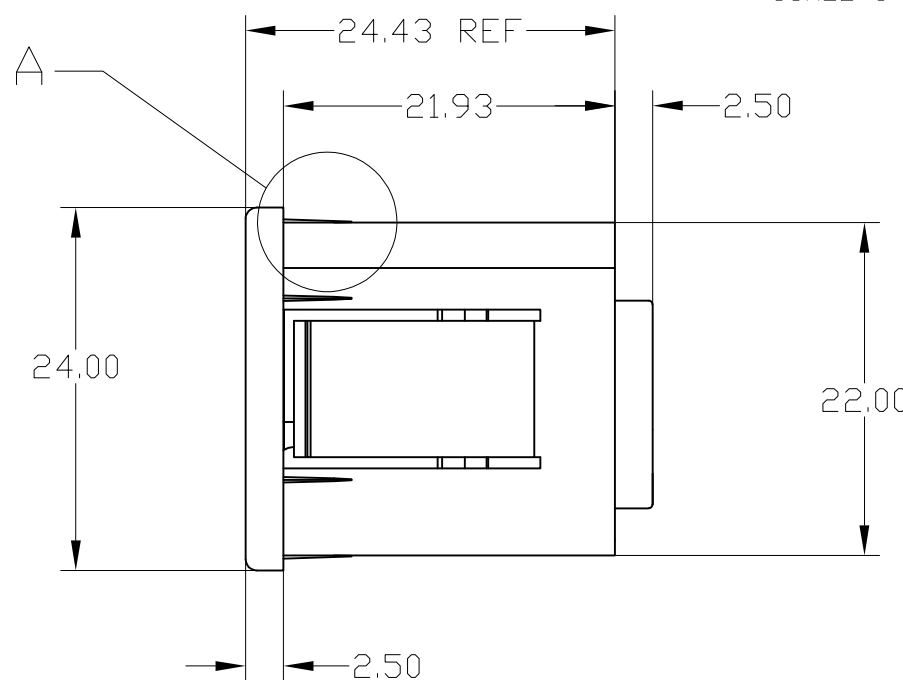
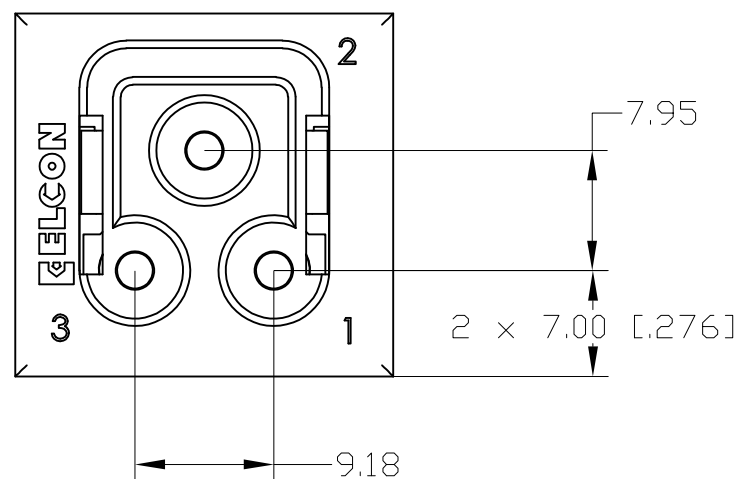
THIS DRAWING IS UNPUBLISHED. RELEASED FOR PUBLICATION

© COPYRIGHT - BY TYCO ELECTRONICS CORPORATION. ALL RIGHTS RESERVED.

LOC	DIST	REVISIONS					
GP	00	P	LTR	DESCRIPTION	DATE	DWN	APVD
		-		SEE SHEET 1	-	-	-



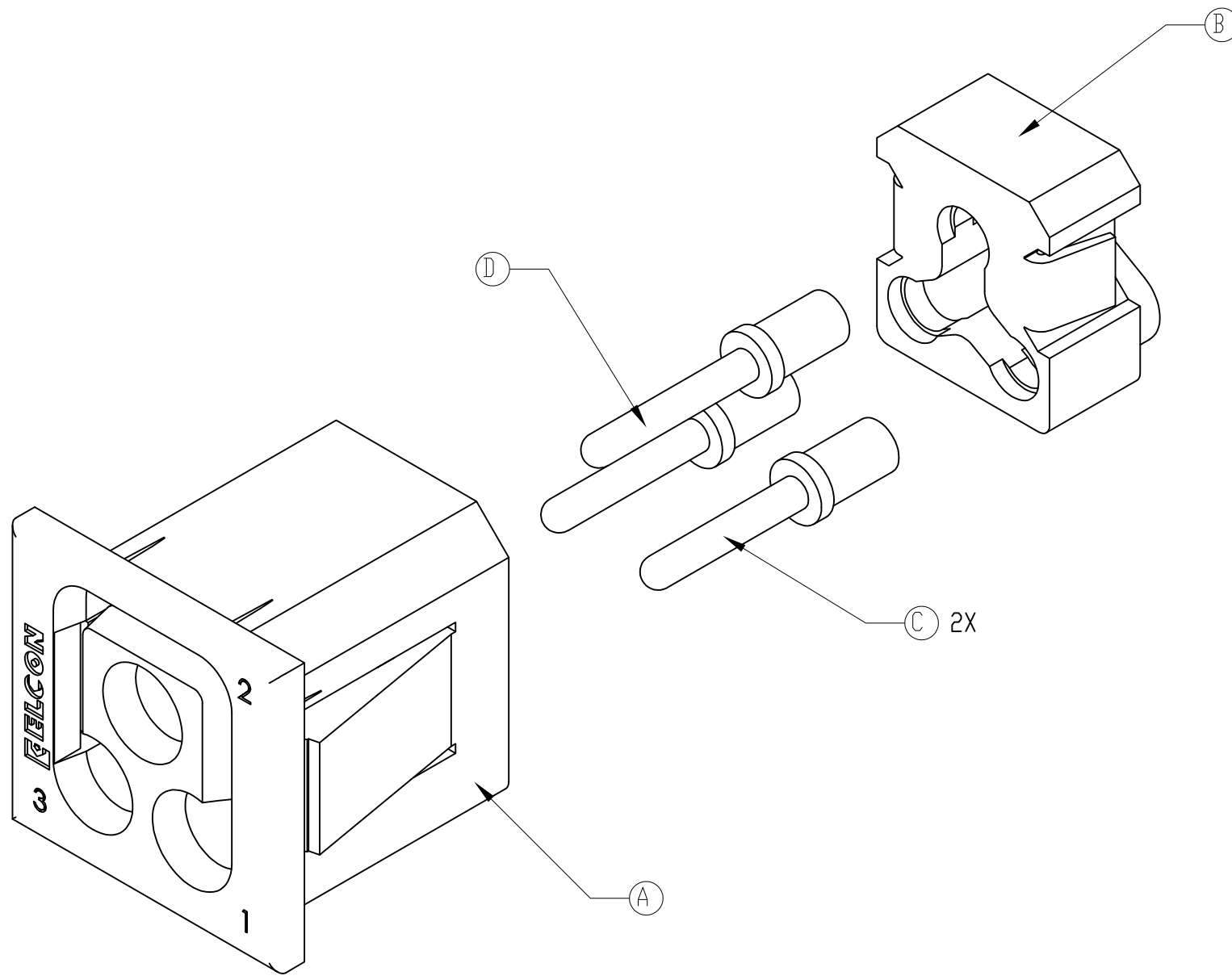
DETAIL A  
SCALE 6 : 1



THIS DRAWING IS A CONTROLLED DOCUMENT.		DWN R.GRZYBOWSKI 20APR2007	Tyco Electronics Corporation Harrisburg, PA 17105-3608	
DIMENSIONS: mm		CHK S.FLICKINGER 20APR07	NAME PIN CONNECTOR, PANEL DISCONNECT SIZE No. 12 X 3, CRIMP STYLE	
TOLERANCES UNLESS OTHERWISE SPECIFIED:		APVD S.FLICKINGER 20APR07	PRODUCT SPEC -	
0 PLC ± -		APPLICATION SPEC -		
1 PLC ± .5		SIZE A3		
2 PLC ± .25		CAGE CODE 00779		
3 PLC ± -		DRAWING NO C-1651700		
4 PLC ± -		RESTRICTED TO -		
ANGLES ± -		SCALE 1:1		
FINISH -		SHEET 2 OF 3		
MATERIAL -		REV A		
		CUSTOMER DRAWING		

THIS DRAWING IS UNPUBLISHED. RELEASED FOR PUBLICATION  
 © COPYRIGHT - BY TYCO ELECTRONICS CORPORATION. ALL RIGHTS RESERVED.

LOC	DIST	REVISIONS				
P	LTR	DESCRIPTION	DATE	DWN	APVD	
GP	00	SEE SHEET 1	-	-	-	



QTY	PART NUMBER	DESCRIPTION	ITEM
1	1650156-2	CONTACT, No. 12 PIN, CRIMP, PRE-MATE	D
2	1650153-2	CONTACT, No. 12 PIN, CRIMP	C
1	-	HOUSING, REAR INSERT INSULATOR	B
1	-	HOUSING, FRONT, PIN INSULATOR	A

THIS DRAWING IS A CONTROLLED DOCUMENT.		DWN R.GRZYBOWSKI 20APR2007	Tyco Electronics Corporation Harrisburg, PA 17105-3608	
DIMENSIONS: mm		CHK S.FLICKINGER 20APR07	NAME PIN CONNECTOR, PANEL DISCONNECT SIZE No. 12 X 3, CRIMP STYLE	
TOLERANCES UNLESS OTHERWISE SPECIFIED:		APVD S.FLICKINGER 20APR07	PRODUCT SPEC -	
0 PLC ± - 1 PLC ± .5 2 PLC ± .25 3 PLC ± - 4 PLC ± - ANGLES ± -		APPLICATION SPEC -	SIZE A3	CAGE CODE 00779
MATERIAL -	FINISH -	WEIGHT -	DRAWING NO C-1651700	RESTRICTED TO -
CUSTOMER DRAWING			SCALE 1:1	SHEET 3 OF 3
			REV A	