



Chipsmall Limited consists of a professional team with an average of over 10 year of expertise in the distribution of electronic components. Based in Hongkong, we have already established firm and mutual-benefit business relationships with customers from,Europe,America and south Asia,supplying obsolete and hard-to-find components to meet their specific needs.

With the principle of “Quality Parts,Customers Priority,Honest Operation,and Considerate Service”,our business mainly focus on the distribution of electronic components. Line cards we deal with include Microchip,ALPS,ROHM,Xilinx,Pulse,ON,Everlight and Freescale. Main products comprise IC,Modules,Potentiometer,IC Socket,Relay,Connector.Our parts cover such applications as commercial,industrial, and automotives areas.

We are looking forward to setting up business relationship with you and hope to provide you with the best service and solution. Let us make a better world for our industry!



Contact us

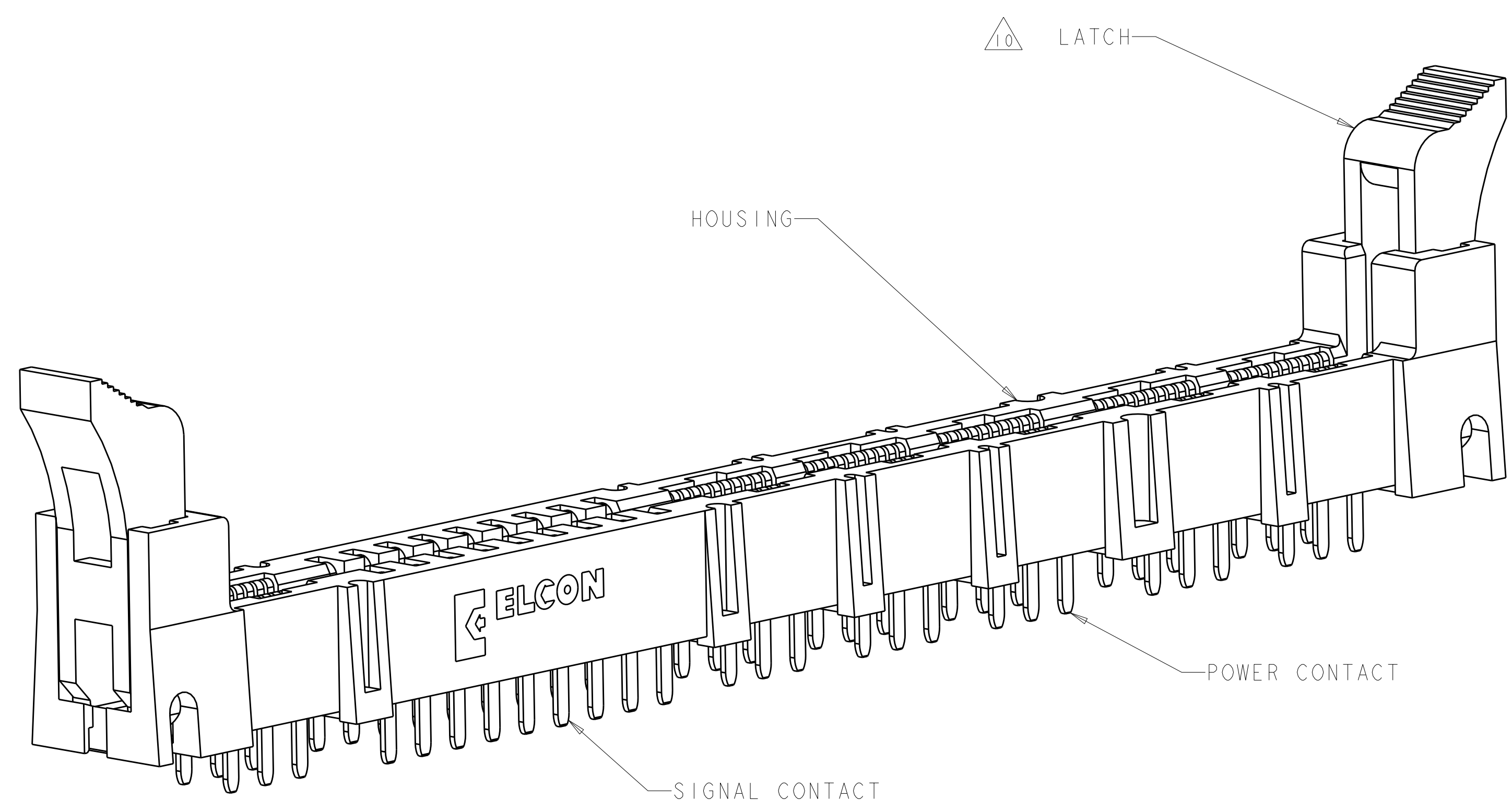
Tel: +86-755-8981 8866 Fax: +86-755-8427 6832

Email & Skype: info@chipsmall.com Web: www.chipsmall.com

Address: A1208, Overseas Decoration Building, #122 Zhenhua RD., Futian, Shenzhen, China



LOC	DIST	REVISIONS					
REV	DATE	BY	APPD	DESCRIPTION	DATE	DWN	APPD
GP	00	C		REV PER ECO-08-031660	08JAN2009	RG	PD



1. PART NUMBER CHANGES AND OR DESIGN CHANGES AFFECTING ITEM INTERCHANGEABILITY REQUIRE PRIOR TYCO ELECTRONICS APPROVAL AND AUTHORIZATION BY REVISION TO THIS DRAWING.

△2 MATERIAL:
 HOUSING: GLASS FILLED POLYESTER, COLOR-BLACK
 UL94V-0 FLAMMABILITY RATED
 LATCHES: THERMOPLASTIC, GLASS REINFORCED
 COLOR: BLACK, UL94V-0 FLAMMABILITY RATED
 CONTACTS: COPPER ALLOY

△3 FINISH:
 CONTACTS:
 GOLD PLATE 0.76µm MIN THK. OVER
 NICKEL 1.27µm MIN THK.
 SOLDER TAILS - TIN PLATE 3.05µm MIN THK. OVER
 NICKEL 1.27µm MIN THK.

4. ITEMS PROVIDED TO THIS SPECIFICATION TO BE PERMANENTLY IDENTIFIED WITH PART NUMBER AND DATE CODE.

△5 MAXIMUM BURR OF 0.013 ON CARD TAB AREA.

△6 SET TRACE BACK FROM PC BOARD EDGE. NO SOLDERMASK ALLOWED BETWEEN PC BOARD EDGE AND TRACE.

△7 CONNECTOR ACCEPTS 1.57±0.13 THICK PC BOARD.

△8 KEEP OUT AREA FOR COMPONENTS ONLY.

△9 FEATURE REQUIRED FOR USE WITH LATCH.

△10 CAUTION:
 LATCHES ARE INTENDED FOR RETENTION OF PC BOARD TO CONNECTOR. DO NOT ATTEMPT TO FULLY EJECT PC BOARD FROM CONNECTOR WHILE DISENGAGING LATCHES, DAMAGE TO LATCHES AND OR CONNECTOR MAY OCCUR.

△11 RECOMMENDED GOLD FINGER LENGTH FOR RELIABLE CONTACT.

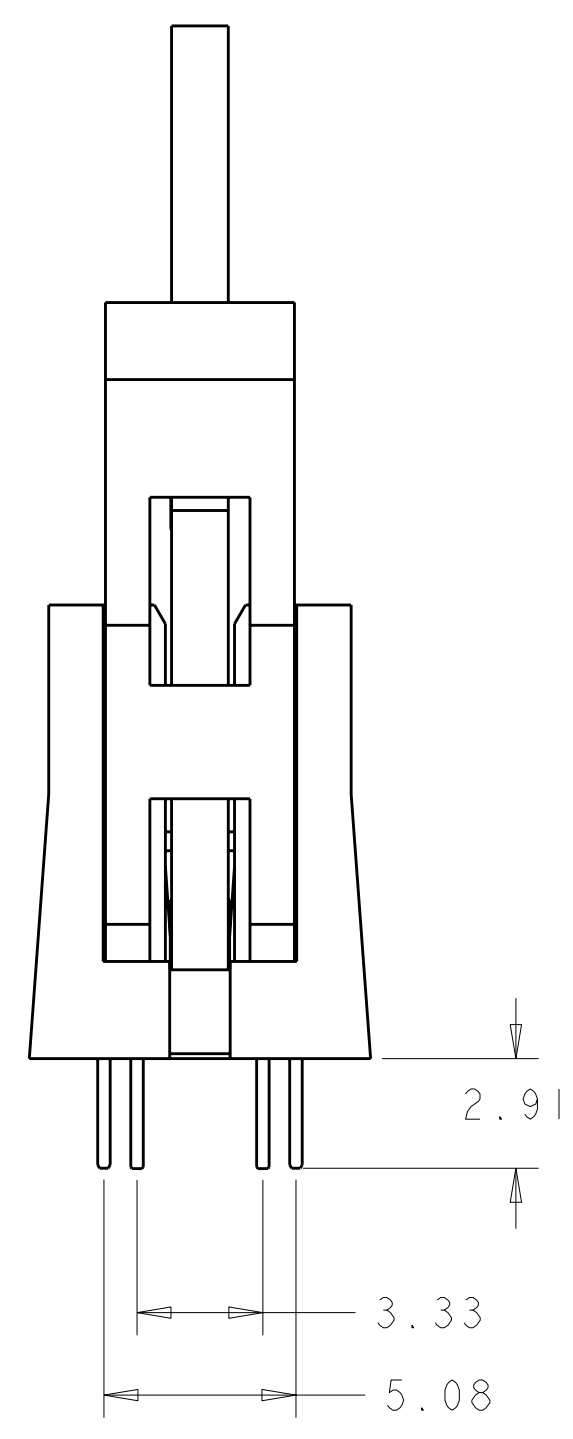
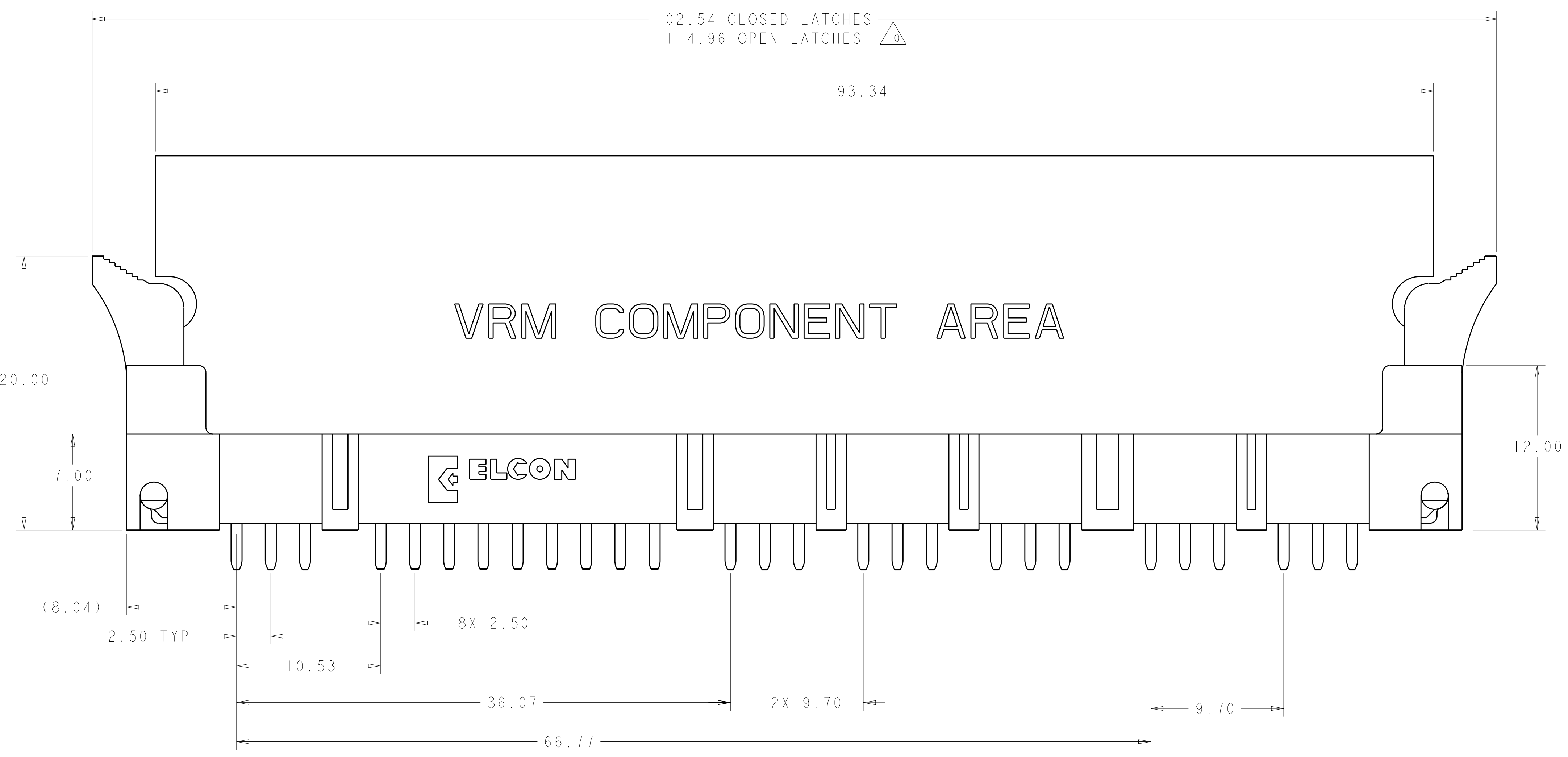
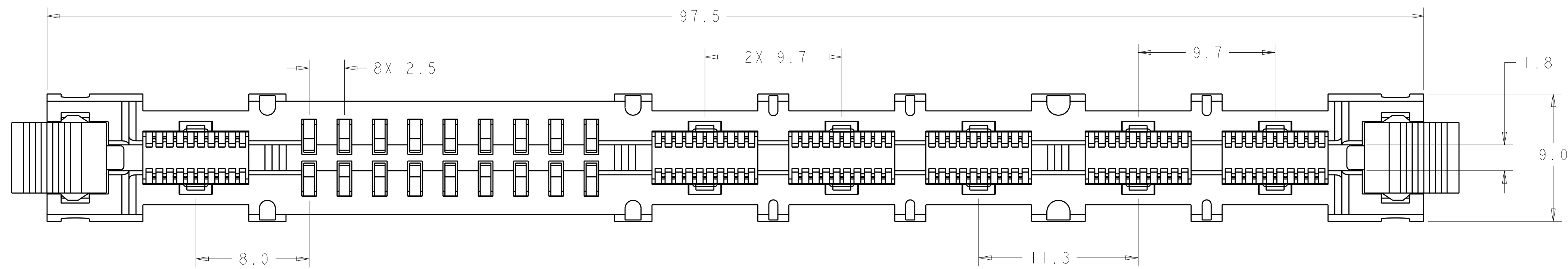
12. FOR DESIGN OBJECTIVES SEE 108-2301.

△13 RECOMMENDED PRINTED CIRCUIT HOLE:
 FINISHED HOLE: Ø1.02 ±.08
 DRILLED HOLE: Ø1.15 ±.013
 COPPER PLATE: .025 MIN. (PER SURFACE)
 TIN PLATE: .008 MIN (PER SURFACE)

AS SHOWN	1651929-1
DESCRIPTION	PART NO.

<small>THIS DRAWING IS UNPUBLISHED. RELEASED FOR PUBLICATION 20 © COPYRIGHT 20 BY TYCO ELECTRONICS CORPORATION, ALL RIGHTS RESERVED.</small>		DWN: HA/GRZYBOWSKI 08JAN09 CHK: P.DAMATO 08JAN09 APVD: CHAU/PERCHERRE 08JAN09	Tyco Electronics Harrisburg, PA 17105-3608
DIMENSIONS: mm 	TOLERANCES UNLESS OTHERWISE SPECIFIED: 0 PLC ±.5 1 PLC ±.5 2 PLC ±.25 3 PLC ±.25 4 PLC ±.25 ANGLES ±0.0000 ±.5 FINISH ±.5	NAME: CHAU/PERCHERRE PRODUCT SPEC: APPLICATION SPEC: WEIGHT: CUSTOMER DRAWING	Tyco Electronics SOCKET CONNECTOR ASSEMBLY SHORT TAILS W/LATCHES MC-P6S9 MINI CROWN EDGE SIZE: A100779 C=1651929 SCALE: 5:1 SHEET 1 OF 4 REV C

LOC	DIST	REVISIONS					
GP	00	P	LTR	DESCRIPTION	DATE	DWN	APVD
-	-	-	-	SEE SHEET 1	-	-	-

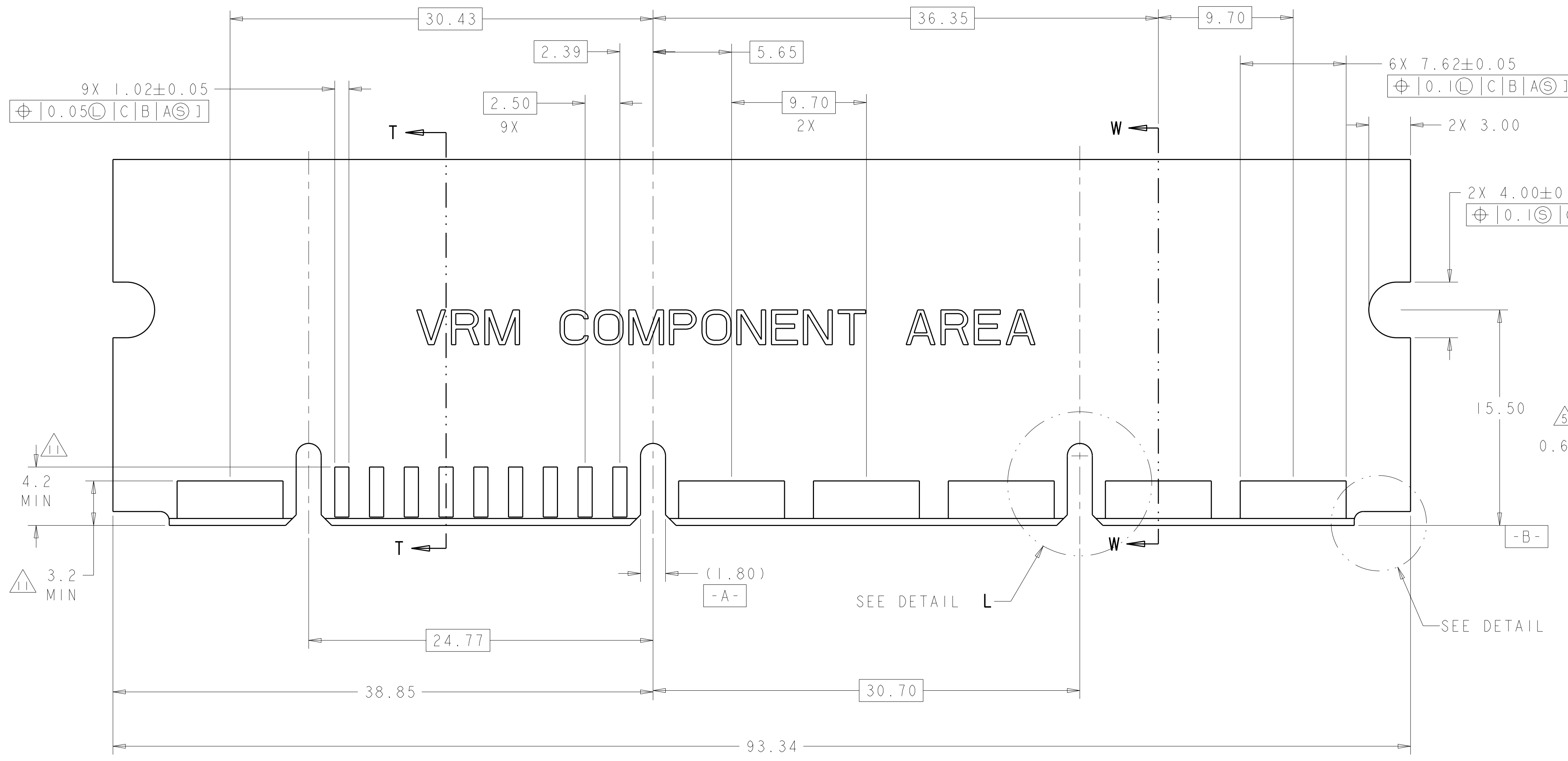


VRM COMPONENT AREA

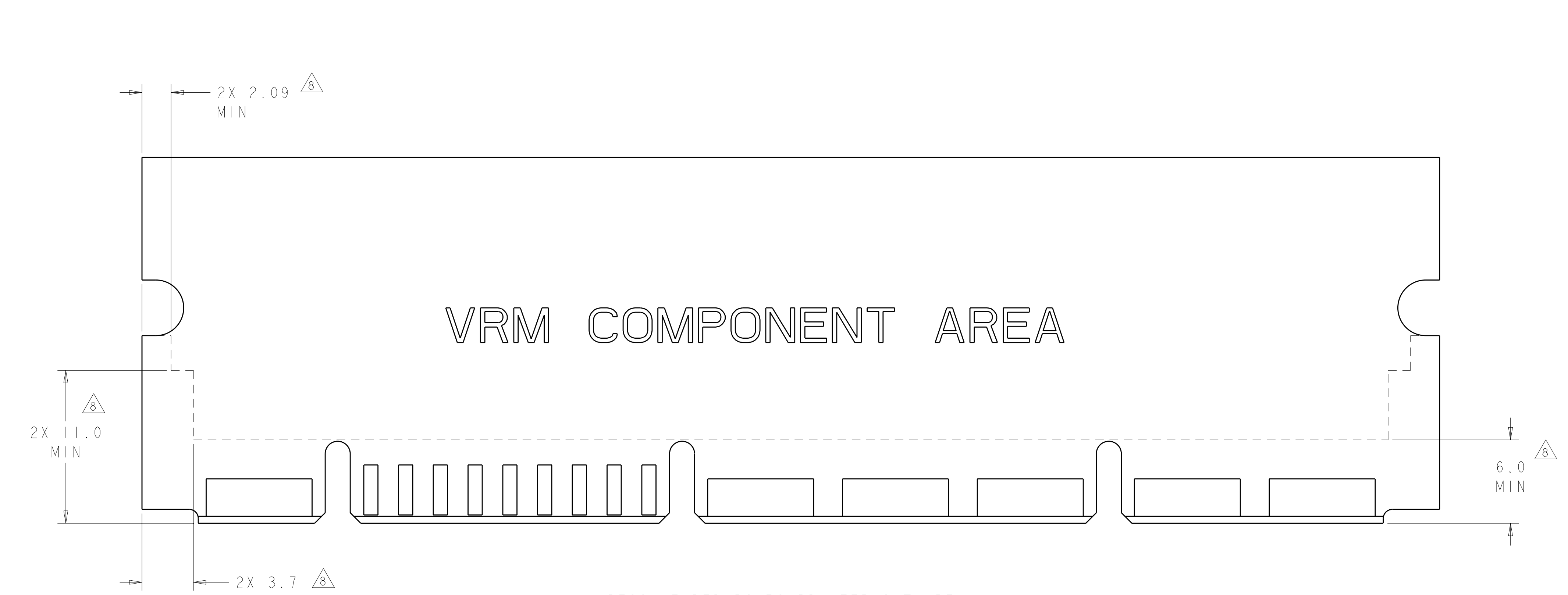


<small>THIS DRAWING IS A CONTROLLED DOCUMENT AND IS THE PROPERTY OF TYCO ELECTRONICS CORPORATION. IT IS SUBJECT TO CHANGE WITHOUT NOTICE AND WITHOUT OBLIGATION. CHANGES WILL BE CONTACTED FOR THE LATEST REVISION.</small>		DWN: HA/GRZYBOWSKI 08JAN09 CHK: P.DAMATO 08JAN09 APVD: CHAU/PERCHERRE 08JAN09	Tyco Electronics Harrisburg, PA 17105-3608
DIMENSIONS: mm 	TOLERANCES UNLESS OTHERWISE SPECIFIED: 9 PLC ±.5 1 PLC ±.5 2 PLC ±.25 3 PLC ±.25 4 PLC ±.0000 ANGLES ±.5 FINISH	NAME: SOCKET CONNECTOR ASSEMBLY SHORT TAILS W/LATCHES MC-P6S9 MINI CROWN EDGE APPLICATION SPEC:	SIZE: A100779 CAGE CODE: C=1651929 DRAWING NO:
MATERIAL: -	FINISH: -	WEIGHT: -	RESTRICTED TO: -
CUSTOMER DRAWING		SCALE: 5:1	SHEET 2 OF 4 REV C

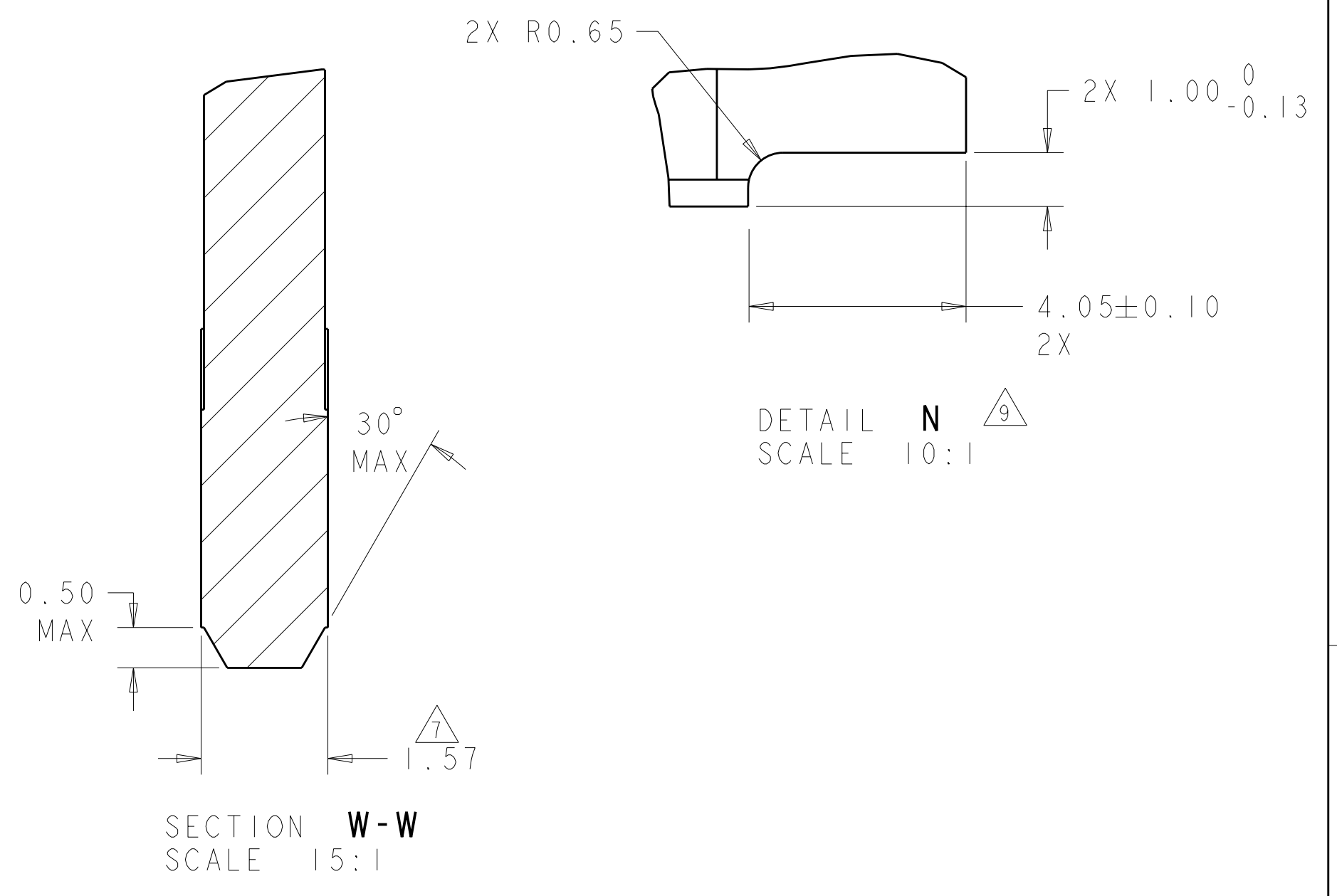
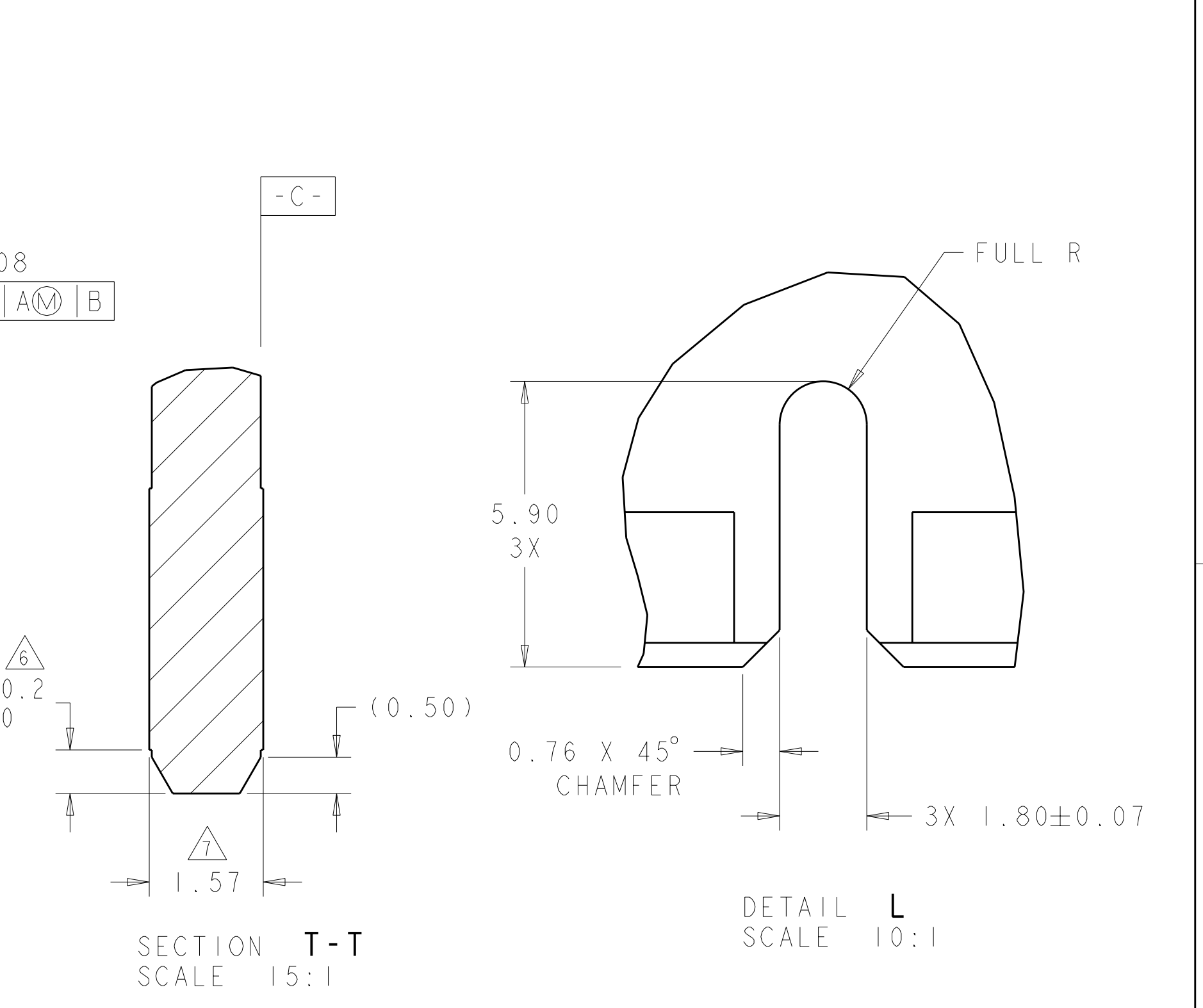
LOC	DIST	REV	DATE	BY	APPD
GP	00				
DESCRIPTION			DATE	DWN	APPD
SEE SHEET 1					



RECOMMENDED MATING BOARD

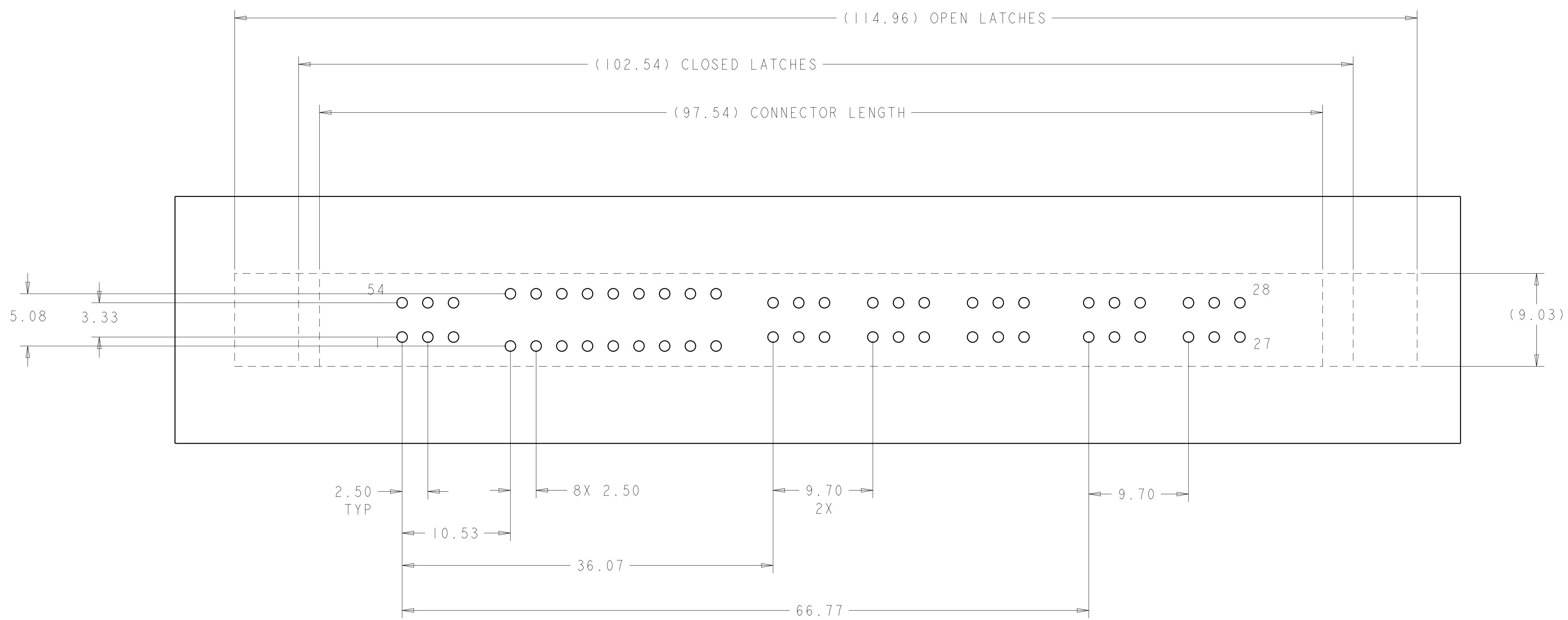


RECOMMENDED PC BOARD KEEP OUT AREA



<small>THIS DRAWING IS UNPUBLISHED. RELEASED FOR PUBLICATION BY TYCO ELECTRONICS CORPORATION. ALL RIGHTS RESERVED.</small>		DWN: HA/GRZYBOWSKI 08JAN09 CHK: P.DAMATO 08JAN09 APPD: CHAU/PERCHERRE 08JAN09	Tyco Electronics Harrisburg, PA 17105-3608
DIMENSIONS: mm 	TOLERANCES UNLESS OTHERWISE SPECIFIED: 9 PLC ±.5 1 PLC ±.5 5 PLC ±.25 4 PLC ±.0000 ANGLES ±.5 FINISH	NAME: PRODUCT SPEC APPLICATION SPEC WEIGHT CUSTOMER DRAWING	Tyco Electronics SOCKET CONNECTOR ASSEMBLY SHORT TAILS W/LATCHES MC-P6S9 MINI CROWN EDGE SIZE: CAGE CODE: DRAWING NO: A100779C=1651929 SCALE: 5:1 SHEET 3 OF 4 REV C

LOC	DIST	REVISIONS					
GP	00	P	LTR	DESCRIPTION	DATE	DWN	APVD
-	-	-	-	SEE SHEET 1	-	-	-



RECOMMENDED P.C. BOARD GUIDELINE
 AS VIEWED FROM CONNECTOR SIDE

<small>THIS DRAWING IS UNPUBLISHED. RELEASED FOR PUBLICATION. ALL RIGHTS RESERVED. THIS IS SUBJECT TO CHANGE WITHOUT NOTICE. TOLERANCES UNLESS OTHERWISE SPECIFIED: DIMENSIONS IN MILLIMETERS SHALL BE CONTACTED FOR THE LATEST REVISION.</small>		DWN HA/GRZYBOWSKI 08JAN09 CHK P.DAMATO 08JAN09 APVD CHAU/PERCHERRE 08JAN09	Tyco Electronics Harrisburg, PA 17105-3608
DIMENSIONS: mm 	TOLERANCES UNLESS OTHERWISE SPECIFIED: 9 PLC ±.5 1 PLC ±.5 2 PLC ±.25 3 PLC ±.5 4 PLC ±.5 ANGLES ±0.0000 FINISH ±.5	NAME PRODUCT SPEC APPLICATION SPEC WEIGHT CUSTOMER DRAWING	SIZE CAGE CODE DRAWING NO RESTRICTED TO A 100779 C-1651929 SCALE 5:1 SHEET 4 OF 4 REV C