



Chipsmall Limited consists of a professional team with an average of over 10 year of expertise in the distribution of electronic components. Based in Hongkong, we have already established firm and mutual-benefit business relationships with customers from,Europe,America and south Asia,supplying obsolete and hard-to-find components to meet their specific needs.

With the principle of “Quality Parts,Customers Priority,Honest Operation,and Considerate Service”,our business mainly focus on the distribution of electronic components. Line cards we deal with include Microchip,ALPS,ROHM,Xilinx,Pulse,ON,Everlight and Freescale. Main products comprise IC,Modules,Potentiometer,IC Socket,Relay,Connector.Our parts cover such applications as commercial,industrial, and automotives areas.

We are looking forward to setting up business relationship with you and hope to provide you with the best service and solution. Let us make a better world for our industry!



Contact us

Tel: +86-755-8981 8866 Fax: +86-755-8427 6832

Email & Skype: info@chipsmall.com Web: www.chipsmall.com

Address: A1208, Overseas Decoration Building, #122 Zhenhua RD., Futian, Shenzhen, China



Panel mounting frames - VS-08-A-S-RJ45/LP-1-IP67 - 1652884

Please be informed that the data shown in this PDF Document is generated from our Online Catalog. Please find the complete data in the user's documentation. Our General Terms of Use for Downloads are valid (<http://download.phoenixcontact.com>)



RJ45 panel mounting frame, IP67, irradiated for welding applications, for PCB connection, for square panel cutout, with grommet, without mounting screws



Ethernet

Key commercial data

Packing unit	1 1
Minimum order quantity	5 1
GTIN	 4 017918 969905
Weight per Piece (excluding packing)	5.12 GRM
Custom tariff number	85389099
Country of origin	Germany

Technical data

Mechanical characteristics

Insertion/withdrawal cycles	≥ 1000
Color	black

Ambient conditions

Ambient temperature (operation)	-40 °C ... 80 °C
Degree of protection	IP67

Material data

Inflammability class according to UL 94	HB
Housing material	PA
Sealing material	NBR
Seal material	NBR

Electrical characteristics

Panel mounting frames - VS-08-A-S-RJ45/LP-1-IP67 - 1652884

Technical data

Electrical characteristics

Pollution degree	2
------------------	---

Classifications

eCl@ss

eCl@ss 4.0	27140816
eCl@ss 4.1	27260701
eCl@ss 5.0	27260701
eCl@ss 5.1	27260701
eCl@ss 6.0	27260705
eCl@ss 7.0	27440309
eCl@ss 8.0	27440309

ETIM

ETIM 2.0	EC000764
ETIM 3.0	EC001121
ETIM 4.0	EC001121
ETIM 5.0	EC002310

UNSPSC

UNSPSC 6.01	31261501
UNSPSC 7.0901	31261501
UNSPSC 11	31261501
UNSPSC 12.01	31261501
UNSPSC 13.2	31261501

Accessories

Accessories

Female insert

RJ45 socket insert - VS-08-BU-RJ45/LP-1 - 1688586



RJ45 socket insert, 1x, for PCB assembly, CAT5e, 8-pos., shielded, with angled solder pins

Panel mounting frames - VS-08-A-S-RJ45/LP-1-IP67 - 1652884

Accessories

RJ45 socket insert - VS-08-BU-RJ45-6/LH-1 - 1653087



RJ45 socket insert, for PCB assembly, CAT6, 8-pos., shielded, with angled solder pins, 1x

Protective cover

Protective covers - VS-08-SD-S - 1652871



Protective cover, IP67, tall design, irradiated for welding applications

Protective covers - VS-08-SD-F-S - 1653139

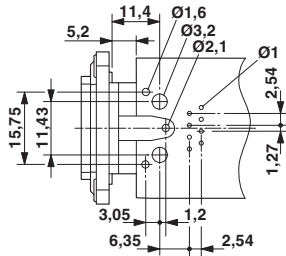


Protective cover, IP67, irradiated for welding applications, flat design, to cover the contact insert in the panel mounting frame

Drawings

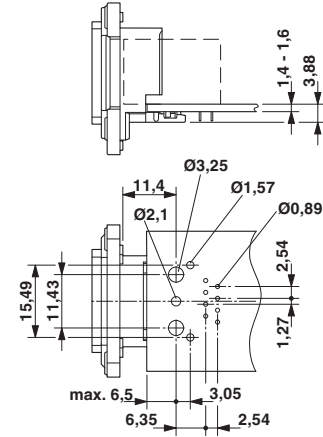
Panel mounting frames - VS-08-A-S-RJ45/LP-1-IP67 - 1652884

Drilling diagram



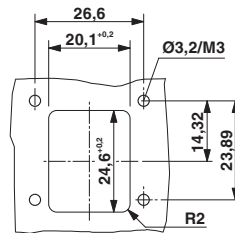
Drilling plan for VS-08-BU-RJ45-6/LH-1

Dimensioned drawing



Drilling plan for VS-08-BU-RJ45/LP-1

Dimensioned drawing



Panel cutout