



Chipsmall Limited consists of a professional team with an average of over 10 year of expertise in the distribution of electronic components. Based in Hongkong, we have already established firm and mutual-benefit business relationships with customers from,Europe,America and south Asia,supplying obsolete and hard-to-find components to meet their specific needs.

With the principle of “Quality Parts,Customers Priority,Honest Operation,and Considerate Service”,our business mainly focus on the distribution of electronic components. Line cards we deal with include Microchip,ALPS,ROHM,Xilinx,Pulse,ON,Everlight and Freescale. Main products comprise IC,Modules,Potentiometer,IC Socket,Relay,Connector.Our parts cover such applications as commercial,industrial, and automotives areas.

We are looking forward to setting up business relationship with you and hope to provide you with the best service and solution. Let us make a better world for our industry!



Contact us

Tel: +86-755-8981 8866 Fax: +86-755-8427 6832

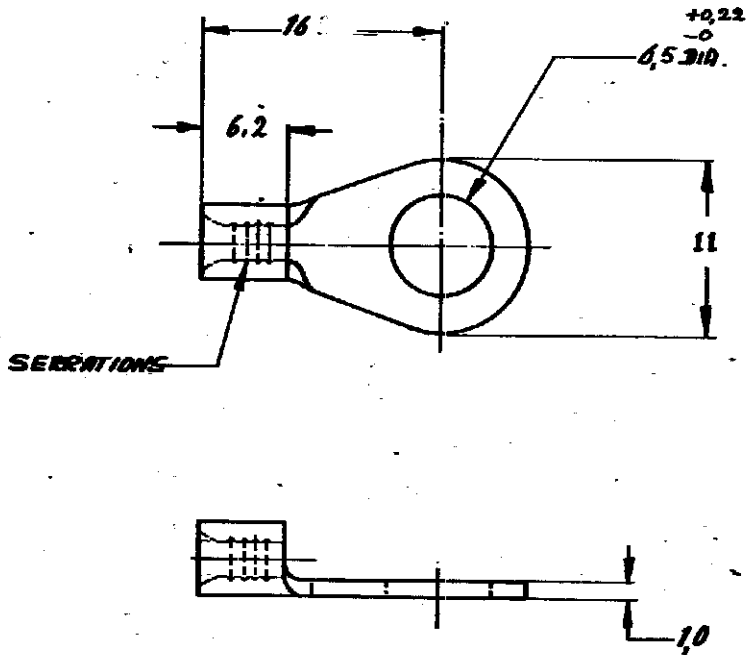
Email & Skype: info@chipsmall.com Web: www.chipsmall.com

Address: A1208, Overseas Decoration Building, #122 Zhenhua RD., Futian, Shenzhen, China



DRAWING MADE IN AMERICAN PROJECTION

NUMBER
C-165303-E



DIMENSIONS IN MILLIMETERS DO NOT SCALE PRINT

CUSTOMER COPY FOR REFERENCE ONLY

©1967 BY AMP-HOLLAND N.V. ALL RIGHTS RESERVED A-M-P PRODUCTS COVERED BY PATENTS AND/OR PATENTS PENDING.



AMP-HOLLAND N.V.
5-HERIENBOSSCH
HOLLAND

165303	COPPER	TINPLATED
ORDER NO.	MATERIAL	PLATING
DR R. BLOMST.	DATE 16-67	CHK DATE 17-67

WIRE RANGE 4-6 mm ²	INSUL. RANGE	TYPE - DIN - SOLISTRING	AMP-HOLLAND N.V. 5-HERIENBOSSCH HOLLAND
SCALE	LOC H	SIZE A	REV C
NAME RINGTONGUE stud. M6			NO C-165303-E

AMP 1282