



Chipsmall Limited consists of a professional team with an average of over 10 year of expertise in the distribution of electronic components. Based in Hongkong, we have already established firm and mutual-benefit business relationships with customers from,Europe,America and south Asia,supplying obsolete and hard-to-find components to meet their specific needs.

With the principle of “Quality Parts,Customers Priority,Honest Operation,and Considerate Service”,our business mainly focus on the distribution of electronic components. Line cards we deal with include Microchip,ALPS,ROHM,Xilinx,Pulse,ON,Everlight and Freescale. Main products comprise IC,Modules,Potentiometer,IC Socket,Relay,Connector.Our parts cover such applications as commercial,industrial, and automotives areas.

We are looking forward to setting up business relationship with you and hope to provide you with the best service and solution. Let us make a better world for our industry!



Contact us

Tel: +86-755-8981 8866 Fax: +86-755-8427 6832

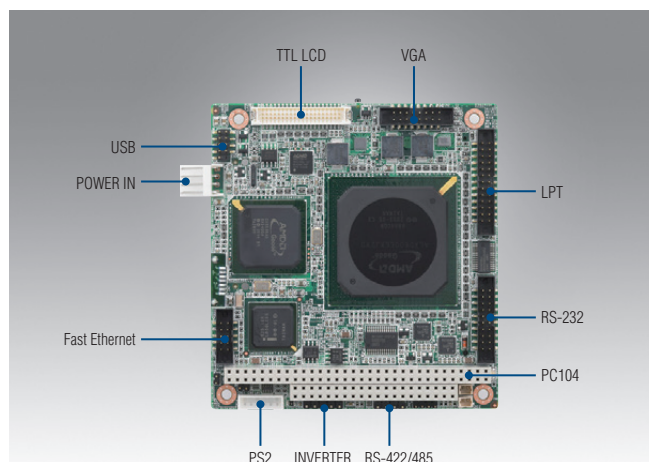
Email & Skype: info@chipsmall.com Web: www.chipsmall.com

Address: A1208, Overseas Decoration Building, #122 Zhenhua RD., Futian, Shenzhen, China



PCM-3355

AMD LX800/LX600 PC/104 SBC, VGA, TTL, Ethernet, USB, COM, CF



Features

- AMD low power LX800/500 MHz and LX600/366 MHz Processor
- 24-bit TFT LCD interface
- Supports compact size 96 x 90 mm PC/104 standard dimensions
- Supports two RS-232, one RS-422/485, and two USB 2.0 ports
- Supports SUSIAccess and Embedded Software APIs

Software APIs:



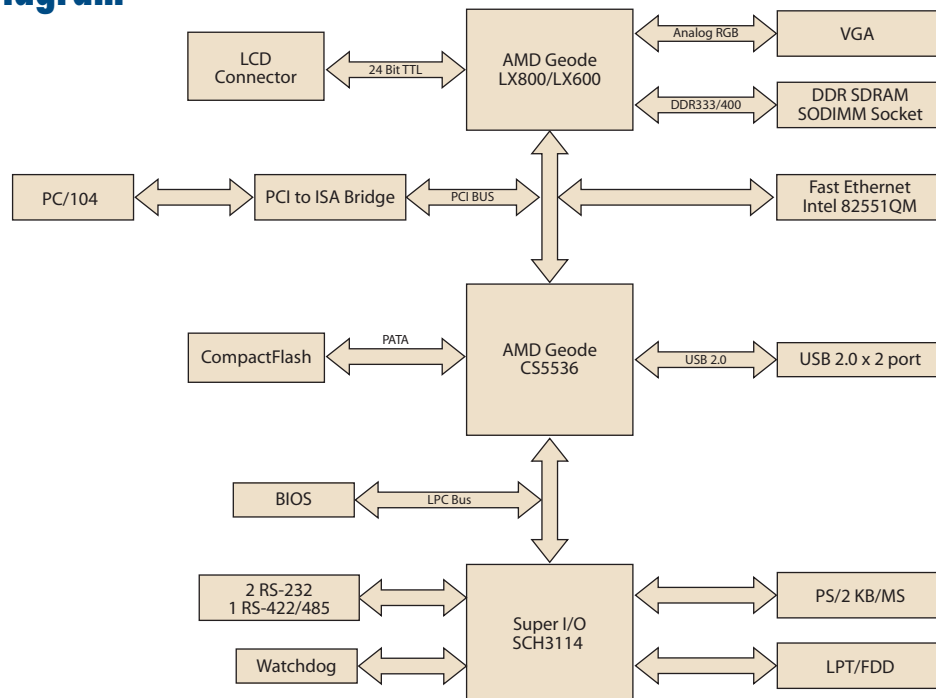
Utilities:



Specifications

Processor System	CPU	AMD Geode™ LX800, 500 MHz/AMD Geode™ LX600, 366 MHz
	Frequency	500 MHz/ 366 MHz
	L2 Cache	128 KB
	System Chipset	AMD CS5536
	BIOS	Award 4-Mbit
Memory	Technology	DDR 333/400 MHz
	Max. Capacity	1 GB
	Socket	1 x 200-pin SODIMM
Display	Chipset	AMD Geode LX800/LX600
	VRAM	Optimized Shared Memory Architecture up to 64 MB system memory
	VGA	Supports up to 1920 x 1440 x 32 bpp at 85 Hz Supports up to 1600 x 1200 x 32 bpp at 100 Hz
	TTL LCD	Supports up to 1600 x 1200 x 32 bpp at 60 Hz for 24-bit single channel TFT
	Dual Display	VGA+TTL
Ethernet	Speed	10/100 Mbps
	Controller	Intel 82551QM
	Connector	Box Header
Watchdog Timer		Output System Reset Programmable counter from 1 ~ 255 minutes/ seconds
Storage	CompactFlash	CompactFlash socket (Type I)
	Floppy	1, 82077AA compatible (transfer from LPT, available by custom BIOS)
Internal I/O	USB	2 x USB 2.0
	Serial	2 RS-232 from COM1/2, 1 RS-422/485 from COM3 with RS-485 auto flow control (ESD protection for RS-232: Air gap ±15kV, Contact ±8kV)
	Parallel (LPT)	1, IEEE 1284, EPP, and ECP compatible (FDD mode supported)
	SMBus	1
	Keyboard/Mouse	1
	Expansion	PC/104 Slot
Power	Power Type	AT
	Power Supply Voltage	5V ± 5% only to boot up (12 V is optional for LCD inverter and add on card)
	Power Consumption (Typical)	LX800: 1.45 A @ +5 V, 2 mA @ +12 V (7.27 Watts)
	Power Consumption (Max, test in HCT)	LX800: 1.74 A @ +5 V, 0.1 A @ +12 V (9.9 Watts)
	Power Management	ACPI/ APM1.2
	Battery	Lithium 3 V/210 mAH
Environment	Operational	0 ~ 60° C (32 ~ 140° F) (Operational humidity: 40° C @ 85% RH non-condensing)
	Non-Operational	-40° C ~ 85° C and 60° C @ 95% RH non-condensing
Physical Characteristics	Dimensions (L x W)	96 x 90 mm (3.8" x 3.5")
	Weight	0.556 kg (1.22 lb)
	Height	Top side: 8.7 mm; Bottom side: 10.6 mm

Block Diagram



Ordering Information

Part No.	CPU	Memory	TTL	Fast Ethernet	USB2.0	RS-232	RS-422/485	Expansion	Thermal Solution	Operating Temp.
PCM-3355E-LOA1E	AMD LX800	SODIMM	24-bit	1	2	2	1	PC/104	Passive	0 ~ 60° C
PCM-3355L-JOA1E	AMD LX600	SODIMM	24-bit	1	2	2	1	PC/104	Passive	0 ~ 60° C
PCM-3355EZ-512LA1E	AMD LX800	512 MB bundle	24-bit	1	2	2	1	PC/104	Passive	-20 ~ 80° C
PCM-3355EZ2512LA1E	AMD LX800	512 MB bundle	24-bit	1	2	2	1	PC/104	Passive	-40 ~ 85° C

Note: Wide temperature version is bundled with extended temperature grade memory module
 Note: Passive = fanless; Active = with fan

Packing List

Part No.	Description	Quantity
	PCM-3355 SBC	
	Startup Manual	
	Utility CD	
1700060202	Cable 6P-6P-6P PS/2 KB & Mouse 20 cm	1
1700260250	LPT Port cable 25P to 26P 2.0 mm 25 cm	1
1703040157	RS-422/485 W/D-SUB COM 4P 15 cm	1
1703060053	PS2 Cable 6P (MINI-DIN)-6P (Wafer 2.0 mm) 6 cm	1
1703100121	USB 2-Port cable 10P 12 cm IDC 2.0 mm	1
1701200220	RS-232 x 2 ports 2.0 mm 22 cm	1
1701160150	VGA cable 15P to 16P 2.0 mm D-SUB 15 cm	1
1700005158	LAN cable RJ-45 10P-2.0 mm 12 cm	1
9660104000	PC/104 screw and copper post package	1
1960016313T000	Heatsink for PCM-3355 (LX800/ LX600, 47.1 x 47.1 x 7.5 mm)	1
1960016315T000	Heatsink for PCM-3355 (CS5536, 22.7 x 22.8 x 6.3 mm)	1

Optional Accessories

Part No.	Description
165313222B	PC/104 connector 64-pin (Long pin)
165312022B	PC/104 connector 40-pin (Long pin)
1700001531	LPT to FDD cable

Embedded OS/API

Embedded OS/API	Part No.	Description
WinCE	2070007869	Image CE 6.0 Pro PCM-3355 V1.2 ENG
	2070007790	XPE WES2009 PCM-3355 Image GX3 V4.0 ENG
Win XPE	2070007910	XPE WES2009 GX3 LX800 V4.0 MUI24
		6.4.1
Linux		Ubuntu 10.04.1
VxWorks		5.5
Software API	205E000019	SUSI 3.0 SW API for ESBC B: 20091116 XP