



Chipsmall Limited consists of a professional team with an average of over 10 year of expertise in the distribution of electronic components. Based in Hongkong, we have already established firm and mutual-benefit business relationships with customers from,Europe,America and south Asia,supplying obsolete and hard-to-find components to meet their specific needs.

With the principle of “Quality Parts,Customers Priority,Honest Operation,and Considerate Service”,our business mainly focus on the distribution of electronic components. Line cards we deal with include Microchip,ALPS,ROHM,Xilinx,Pulse,ON,Everlight and Freescale. Main products comprise IC,Modules,Potentiometer,IC Socket,Relay,Connector.Our parts cover such applications as commercial,industrial, and automotives areas.

We are looking forward to setting up business relationship with you and hope to provide you with the best service and solution. Let us make a better world for our industry!



## Contact us

Tel: +86-755-8981 8866 Fax: +86-755-8427 6832

Email & Skype: info@chipsmall.com Web: www.chipsmall.com

Address: A1208, Overseas Decoration Building, #122 Zhenhua RD., Futian, Shenzhen, China



|     |      |           |     |                          |           |     |      |
|-----|------|-----------|-----|--------------------------|-----------|-----|------|
| LOC | DIST | REVISIONS |     |                          |           |     |      |
| —   | —    | P         | LTR | DESCRIPTION              | DATE      | DWN | APVD |
|     |      |           | F   | OBSOLESCENCE OF 163179-1 | 02JAN2013 | KJK | RP   |

NOTE

△ OBSOLETE


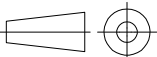
| QTY | NUMBER     | NAME                                                   | STUD SIZE | ITEM |
|-----|------------|--------------------------------------------------------|-----------|------|
| 14  | 131419-2   | PARTITION                                              | —         | 21   |
| 1   | 132526-1   | CASE                                                   | —         | 20   |
| 5   | 163179-1   | .250 SRS LINE SPLICE CONN. (WHITE)                     | —         | 19   |
| 10  | 9-160463-2 | 1,0-2,5mm <sup>2</sup> .250 SRS PIDG PIGGY-BACK FASTON | —         | 18   |
| 10  | 9-160313-2 | 1,0-2,5mm <sup>2</sup> .250 SRS PIDG FATON REC.        | —         | 17   |
| 10  | 165034-0   | 2,7-6,6mm <sup>2</sup> PIDG RINGTONGUE                 | 1/4       | 16   |
| 10  | 130171-0   | 2,7-6,6mm <sup>2</sup> PIDG RINGTONGUE                 | M5        | 15   |
| 10  | 35108-0    | 2,7-6,6mm <sup>2</sup> PIDG RINGTONGUE                 | M4        | 14   |
| 20  | 320862-0   | 0,25-1,6mm <sup>2</sup> FLANGED SPADE                  | M4        | 13   |
| 20  | 130094-0   | 0,25-1,6mm <sup>2</sup> PIDG RINGTONGUE                | M5        | 12   |
| 20  | 320565-0   | 0,25-1,6mm <sup>2</sup> PIDG RINGTONGUE                | M4        | 11   |
| 20  | 320619-0   | 0,25-1,6mm <sup>2</sup> PIDG RINGTONGUE                | M3,5      | 10   |
| 20  | 165142-0   | 0,25-1,6mm <sup>2</sup> PIDG SPADE                     | —         | 9    |
| 20  | 35559-0    | 1,0-2,6mm <sup>2</sup> PIDG SPADE                      | M3,5      | 8    |
| 20  | 326861-0   | 0,25-1,6mm <sup>2</sup> PIDG SPADE                     | M2,6      | 7    |
| 20  | 31890-0    | 0,25-1,6mm <sup>2</sup> PIDG RINGTONGUE                | M4        | 6    |
| 20  | 36150-0    | 0,25-1,6mm <sup>2</sup> PIDG RINGTONGUE                | M3,5      | 5    |
| 20  | 31880-0    | 0,25-1,6mm <sup>2</sup> PIDG RINGTONGUE                | M2,6      | 4    |
| 10  | 34072-0    | 2,7-6,6mm <sup>2</sup> P.G. BUTT-SPLICE                | —         | 3    |
| 15  | 34071-0    | 1,0-2,6mm <sup>2</sup> P.G. BUTT-SPLICE                | —         | 2    |
| 20  | 34070-0    | 0,25-1,6mm <sup>2</sup> P.G. BUTT-SPLICE               | —         | 1    |

RELEASED FOR PUBLICATION

ALL RIGHTS RESERVED.

THIS DRAWING IS UNPUBLISHED.

© COPYRIGHT - F

|                                                                                    |                  |                  |                                                                                                      |           |            |               |
|------------------------------------------------------------------------------------|------------------|------------------|------------------------------------------------------------------------------------------------------|-----------|------------|---------------|
| DIMENSIONS:<br>mm                                                                  | DWN              | 01 AUG 1996      | MATERIAL                                                                                             | FINISH    |            |               |
|                                                                                    | J.v.LIEMPT       |                  | —                                                                                                    | —         |            |               |
| TOLERANCES UNLESS OTHERWISE SPECIFIED:                                             | CHK              | 02 MAR 01        |  TE Connectivity |           |            |               |
|                                                                                    | A. BIJNEN        |                  |                                                                                                      |           |            |               |
| 0 PLC ± -<br>1 PLC ± -<br>2 PLC ± -<br>3 PLC ± -<br>4 PLC ± -<br>ANGLES ± -        | APVD             | 02 MAR 01        | NAME<br>P.I.D.G. INTRODUCTION ASSORTIMENT                                                            |           |            |               |
|                                                                                    | A. BIJNEN        |                  |                                                                                                      |           |            |               |
|  | PRODUCT SPEC     | —                | SIZE                                                                                                 | CAGE CODE | DRAWING NO | RESTRICTED TO |
|                                                                                    | APPLICATION SPEC | —                | A4                                                                                                   | 00779     | C-165346   | —             |
| WEIGHT                                                                             | —                | CUSTOMER DRAWING |                                                                                                      | SCALE     | SHEET      | REV           |
|                                                                                    |                  |                  |                                                                                                      | —         | 1 OF 1     | F             |