



Chipsmall Limited consists of a professional team with an average of over 10 year of expertise in the distribution of electronic components. Based in Hongkong, we have already established firm and mutual-benefit business relationships with customers from,Europe,America and south Asia,supplying obsolete and hard-to-find components to meet their specific needs.

With the principle of “Quality Parts,Customers Priority,Honest Operation,and Considerate Service”,our business mainly focus on the distribution of electronic components. Line cards we deal with include Microchip,ALPS,ROHM,Xilinx,Pulse,ON,Everlight and Freescale. Main products comprise IC,Modules,Potentiometer,IC Socket,Relay,Connector.Our parts cover such applications as commercial,industrial, and automotives areas.

We are looking forward to setting up business relationship with you and hope to provide you with the best service and solution. Let us make a better world for our industry!



Contact us

Tel: +86-755-8981 8866 Fax: +86-755-8427 6832

Email & Skype: info@chipsmall.com Web: www.chipsmall.com

Address: A1208, Overseas Decoration Building, #122 Zhenhua RD., Futian, Shenzhen, China




VS-04-2X2X26C7/7-67B/SDA/5,0

Order No.: 1653922



<http://eshop.phoenixcontact.de/phoenix/treeViewClick.do?UID=1653922>

Assembled USB cable, shielded, color: RAL 5021 (water blue), PUR outer sheath, USB type B/IP67 on USB type A/standard, length: 5 m

| Commercial data | |
|--------------------------|---|
| GTIN (EAN) |  4 017918 970253 |
| sales group | D532 |
| Pack | 1 pcs. |
| Customs tariff | 85444290 |
| Catalog page information | Page 311 (PC-2009) |

Product notes

WEEE/RoHS-compliant since:
07/06/2006



<http://www.download.phoenixcontact.com>
Please note that the data given here has been taken from the online catalog. For comprehensive information and data, please refer to the user documentation. The General Terms and Conditions of Use apply to Internet downloads.

Technical data

| Mechanical characteristics | |
|-----------------------------|---------|
| Number of positions | 4 |
| Shielded | Yes |
| Insertion/withdrawal cycles | ≥ 500 |
| External cable diameter | 6.7 mm |
| Cable diameter | 6.70 mm |

| | |
|---------------------------------|---|
| Cable structure | 2x2xAWG26/7 + 2xAWG20/19; S/FTP |
| Length of cable | 5 m |
| Ambient temperature (operation) | -20 °C ... 60 °C (cable, fixed installation) |
| | 0 °C ... 50 °C (cable, flexible installation) |
| | (Male connector / female connector) |

Material data

| | |
|------------------------|---------------------|
| Housing material | PA |
| Sealing material | NBR |
| Material, O-ring | FPM |
| Outer sheath, material | PUR |
| External sheath, color | water blue RAL 5021 |
| Degree of protection | IP67/IP20 |

Electrical characteristics

| | |
|---|---------|
| Rated voltage (III/3) | 125 V |
| Rated current | 1 A |
| Transmission characteristics (category) | USB 2.0 |

Line characteristics

| | |
|---|---------------------------------------|
| Cable type | FireWire |
| Conductor cross section | 0.14 mm ² (signal line) |
| | 0.5 mm ² (Power supply) |
| AWG signal line | 26 |
| Conductor structure signal line | 7x 0.15 mm |
| AWG power supply | 20 |
| Conductor structure, voltage supply | 19x 0.20 mm |
| Core diameter including insulation | 1 mm (signal line) |
| External cable diameter | 6.70 mm |
| Wire colors | White-blue, white-orange, gray, black |
| External sheath, color | water blue RAL 5021 |
| Insulation resistance | 5 GΩ*km |
| Conductor resistance | 150 mΩ/m |
| Transmission characteristics (category) | CAT7, for USB 2.0 (480 Mbps) |
| Working capacitance | 42 pF |
| Wave impedance | 100 Ω ±5% (signal line) |
| Signal speed | 0.72 c |

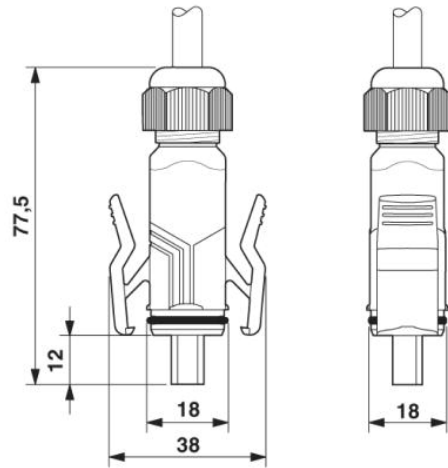
| | |
|---|---|
| Signal runtime | 46 ns/m |
| Shield attenuation | 60 dB (Up to 1000 MHz) |
| Interference suppression | 90 dB (Up to 1000 MHz) |
| Nominal voltage, conductor | 125 V |
| Test voltage, conductor | 1000 V |
| Twisted pairs | 2 cores to the pair |
| Type of pair shielding | Aluminum-lined polyester foil |
| Overall twist | Two pairs and two power supply wires to the core |
| Shielding | Braided shielding made of galvanized copper wires |
| Optical shield covering | 65 % |
| Outer sheath, material | PUR |
| Material conductor insulation | Cell PE (signal line) |
| | PVC (Power supply) |
| Conductor material | Bare Cu litz wires |
| Cable weight | 56 kg/km |
| Smallest bending radius, fixed installation | ≥ 35 mm |
| Smallest bending radius, movable installation | ≥ 35 mm |
| Ambient temperature (operation) | -20 °C ... 60 °C (cable, fixed installation) |
| | 0 °C ... 50 °C (cable, flexible installation) |

Accessories

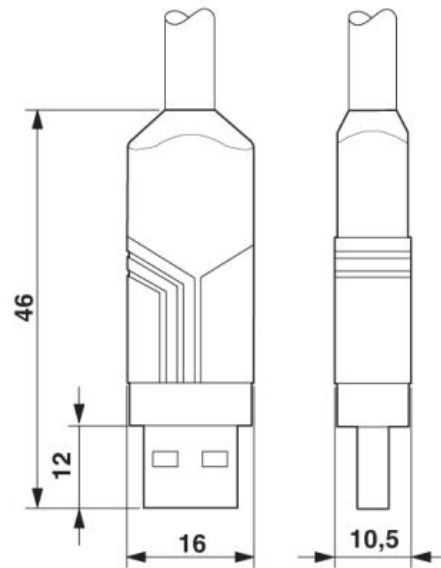
| Item | Designation | Description |
|--------------------------|---------------|--|
| Marking | | |
| 0814775 | VS-ZBFM-8-SET | Marker label set, consisting of 4 sheets (white, blue, yellow, orange) each with 50 labels for color marking of sleeve housings and panel mounting frames with IP67 protection |
| Protective covers | | |
| 1653757 | VS-SCRJ-PC | IP67 protective cover, for covering the male inserts in the sleeve housings IP67, VS-SCRJ-..., VS-04-..., VS-06-... and VS-08-... |

Diagrams/Drawings

Dimensioned drawing

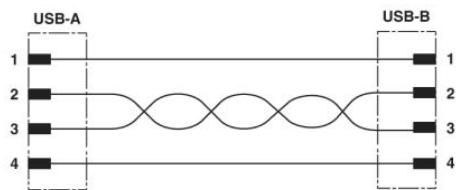


USB connector, type B, IP67

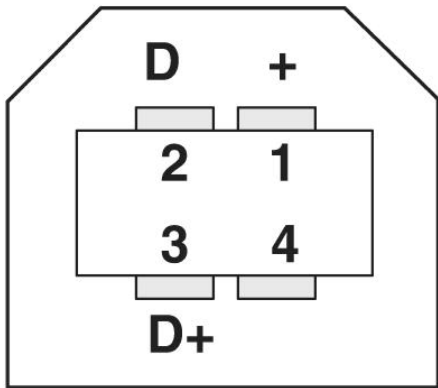


USB plug connector, type A, Standard

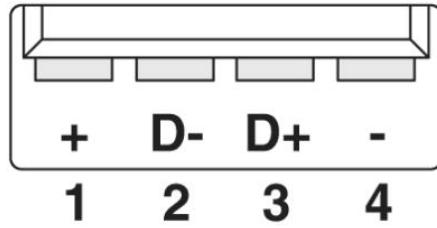
Circuit diagram



Schematic diagram



Connector pin assignment plug USB, type B



Pin assignment plug USB, type A

Address

PHOENIX CONTACT Deutschland GmbH
Flachmarktstr. 8
32825 Blomberg, Germany
Phone +49 5235 3 12000
Fax +49 5235 3 41200
<http://www.phoenixcontact.de>



© 2011 Phoenix Contact
Technical modifications reserved;