



Chipsmall Limited consists of a professional team with an average of over 10 year of expertise in the distribution of electronic components. Based in Hongkong, we have already established firm and mutual-benefit business relationships with customers from,Europe,America and south Asia,supplying obsolete and hard-to-find components to meet their specific needs.

With the principle of "Quality Parts,Customers Priority,Honest Operation,and Considerate Service",our business mainly focus on the distribution of electronic components. Line cards we deal with include Microchip,ALPS,ROHM,Xilinx,Pulse,ON,Everlight and Freescale. Main products comprise IC,Modules,Potentiometer,IC Socket,Relay,Connector.Our parts cover such applications as commercial,industrial, and automotives areas.

We are looking forward to setting up business relationship with you and hope to provide you with the best service and solution. Let us make a better world for our industry!



## Contact us

Tel: +86-755-8981 8866 Fax: +86-755-8427 6832

Email & Skype: info@chipsmall.com Web: www.chipsmall.com

Address: A1208, Overseas Decoration Building, #122 Zhenhua RD., Futian, Shenzhen, China



## D-SUB connector - VS-09-PROFIBUS-SC - 1654549

Please be informed that the data shown in this PDF Document is generated from our Online Catalog. Please find the complete data in the user's documentation. Our General Terms of Use for Downloads are valid (<http://phoenixcontact.com/download>)



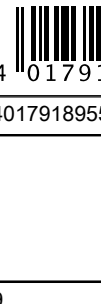
D-SUB connector, contact inserts: x , degree of protection: IP67, number of positions: 9, material: PA, connection method: Screw connection, connection cross section: AWG 26- 16, cable outlet: Angled, with integrated termination resistor, size of housing: 1, color: gray

### Why buy this product

- EMC protection
- Switchable terminator
- Coding sections (CR) as protection against mismatching



### Key Commercial Data

Packing unit	1 STK
GTIN	 4 017918 955083
GTIN	4017918955083

### Technical data

#### Mechanical characteristics

Number of positions	9
Shielded	yes
Insertion/withdrawal cycles	≥ 200
Connection method	Screw connection
Conductor cross section	0.14 mm <sup>2</sup> ... 1.5 mm <sup>2</sup> (solid)
	0.14 mm <sup>2</sup> ... 1 mm <sup>2</sup> (flexible)
Connection cross section AWG	26 ... 16 (solid)
	26 ... 18 (flexible)
External cable diameter	5 mm ... 9 mm
Cable outlet	Angled
Color	gray
Degree of protection	IP67
Type	D-SUB 9

# D-SUB connector - VS-09-PROFIBUS-SC - 1654549

## Technical data

### Mechanical characteristics

Size of housing	1
No. of cable outlets	2

### Ambient conditions

Ambient temperature (operation)	-20 °C ... 75 °C
Degree of protection	IP67

### Material data

Flammability rating according to UL 94	V0
Housing material	PA
Contact carrier material	PBTP
Contact material	Copper alloy
Contact surface material	Gold over nickel
Cable seal material	CR/NBR

### Electrical characteristics

Number of positions	9
Rated current	1 A
Overvoltage category	II
Degree of pollution	2
Rated voltage (III/3)	50 V

### Standards and Regulations

Flammability rating according to UL 94	V0
--	----

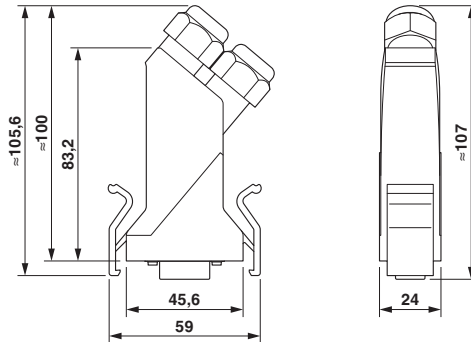
### Environmental Product Compliance

China RoHS	Environmentally Friendly Use Period = 50
	For details about hazardous substances go to tab "Downloads", Category "Manufacturer's declaration"

## Drawings

# D-SUB connector - VS-09-PROFIBUS-SC - 1654549

Dimensional drawing



D-SUB connector

## Approvals

Approvals

---

Approvals

EAC

---

Ex Approvals

---

## Approval details

EAC		B.01742
-----	--	---------

Phoenix Contact 2018 © - all rights reserved  
<http://www.phoenixcontact.com>

PHOENIX CONTACT GmbH & Co. KG  
Flachsmarktstr. 8  
32825 Blomberg  
Germany  
Tel. +49 5235 300  
Fax +49 5235 3 41200  
<http://www.phoenixcontact.com>