



Chipsmall Limited consists of a professional team with an average of over 10 year of expertise in the distribution of electronic components. Based in Hongkong, we have already established firm and mutual-benefit business relationships with customers from,Europe,America and south Asia,supplying obsolete and hard-to-find components to meet their specific needs.

With the principle of “Quality Parts,Customers Priority,Honest Operation,and Considerate Service”,our business mainly focus on the distribution of electronic components. Line cards we deal with include Microchip,ALPS,ROHM,Xilinx,Pulse,ON,Everlight and Freescale. Main products comprise IC,Modules,Potentiometer,IC Socket,Relay,Connector.Our parts cover such applications as commercial,industrial, and automotives areas.

We are looking forward to setting up business relationship with you and hope to provide you with the best service and solution. Let us make a better world for our industry!



Contact us

Tel: +86-755-8981 8866 Fax: +86-755-8427 6832

Email & Skype: info@chipsmall.com Web: www.chipsmall.com

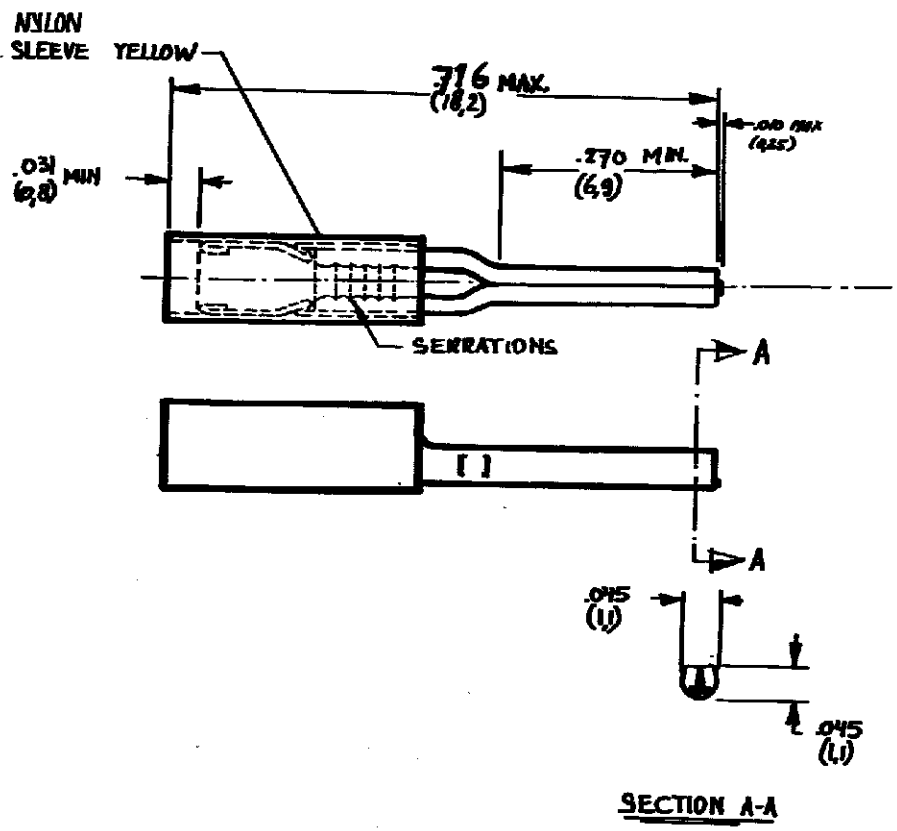
Address: A1208, Overseas Decoration Building, #122 Zhenhua RD., Futian, Shenzhen, China



NUMBER C-165514

DRAWING MADE IN AMERICAN PROJECTION

REV.	DESCRIPTION	DATE	DRAWN	APVD
D1	REVISED PER ECO-11-005140	31MAR11	RK	HMR



DOC. CENTRE
29 OKT. 1991

DIMENSIONS IN (MM) DO NOT SCALE PRINT

CUSTOMER COPY FOR REFERENCE ONLY

TE TE Connectivity

ORDER NO.	MATERIAL	PLATING	WIRE RANGE 26-32 AWG (0.15-0.91 mm)	INSUL. RANGE -0.83 DIA. (2.1)	FIRST USED
165514-1	COPPER	TINPLATED	SCALE N.T.S.	SIZE A	NO C-165.514
DR R.W.M.B.	DATE 15-8-77	DE	DATE	NAME	REV D1
CHK [Signature]	DATE 15/8/77	OFF	DATE 25-8-77	NAME	

PIDG WIRE PIN