



Chipsmall Limited consists of a professional team with an average of over 10 year of expertise in the distribution of electronic components. Based in Hongkong, we have already established firm and mutual-benefit business relationships with customers from,Europe,America and south Asia,supplying obsolete and hard-to-find components to meet their specific needs.

With the principle of “Quality Parts,Customers Priority,Honest Operation,and Considerate Service”,our business mainly focus on the distribution of electronic components. Line cards we deal with include Microchip,ALPS,ROHM,Xilinx,Pulse,ON,Everlight and Freescale. Main products comprise IC,Modules,Potentiometer,IC Socket,Relay,Connector.Our parts cover such applications as commercial,industrial, and automotives areas.

We are looking forward to setting up business relationship with you and hope to provide you with the best service and solution. Let us make a better world for our industry!



Contact us

Tel: +86-755-8981 8866 Fax: +86-755-8427 6832

Email & Skype: info@chipsmall.com Web: www.chipsmall.com

Address: A1208, Overseas Decoration Building, #122 Zhenhua RD., Futian, Shenzhen, China



VS-25-BU-DSUB-HD-CD-B

Order No.: 1655247

<http://eshop.phoenixcontact.de/phoenix/treeViewClick.do?UID=1655247>

D-SUB contact carrier, shell size 3, for 44 signal contacts, contact type socket, for crimp contacts, straight, fixing with a 3 mm hole, for panel mounting frame and sleeve housing VS-25-...

Commercial data

GTIN (EAN)	 4 046356 029186
Note	Made-to-order
sales group	D501
Pack	10 pcs.
Customs tariff	85369010
Catalog page information	Page 321 (PC-2009)

Product notesWEEE/RoHS-compliant since:
06/14/2006

<http://www.download.phoenixcontact.com>
Please note that the data given here has been taken from the online catalog. For comprehensive information and data, please refer to the user documentation. The General Terms and Conditions of Use apply to Internet downloads.

Technical data**Mechanical characteristics**

Number of positions	44
Insertion/withdrawal cycles	≥ 500
Type of connection	Crimp connection
Ambient temperature (operation)	-55 °C ... 125 °C

Material data

Inflammability class acc. to UL 94	V0
Housing material	Steel, yellow chromated

Contact carrier material	Polyester GF
--------------------------	--------------

Electrical characteristics

Rated voltage (III/3)	60 V
Rated surge voltage	1 kV
Rated current	3 A

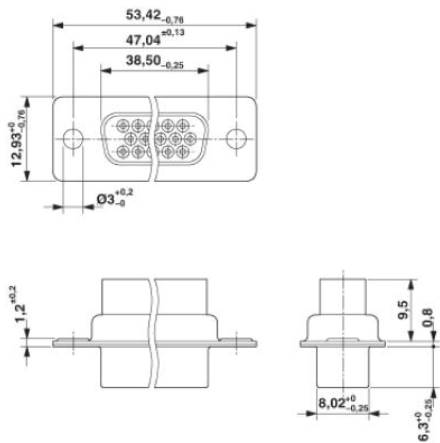
Accessories

Item	Designation	Description
Contacts		
1655263	VS-BU-CD-HD-1,0/13,5/0,37	Crimp contact, for D-SUB contact inserts with high density, socket, connection cross section AWG 22, turned, gold-plated

Diagrams/Drawings

Dimensioned drawing

D-SUB contact carrier



Address

PHOENIX CONTACT Deutschland GmbH
Flachmarktstr. 8
32825 Blomberg, Germany
Phone +49 5235 3 12000
Fax +49 5235 3 41200
<http://www.phoenixcontact.de>



© 2011 Phoenix Contact
Technical modifications reserved;