



Chipsmall Limited consists of a professional team with an average of over 10 year of expertise in the distribution of electronic components. Based in Hongkong, we have already established firm and mutual-benefit business relationships with customers from,Europe,America and south Asia,supplying obsolete and hard-to-find components to meet their specific needs.

With the principle of “Quality Parts,Customers Priority,Honest Operation,and Considerate Service”,our business mainly focus on the distribution of electronic components. Line cards we deal with include Microchip,ALPS,ROHM,Xilinx,Pulse,ON,Everlight and Freescale. Main products comprise IC,Modules,Potentiometer,IC Socket,Relay,Connector.Our parts cover such applications as commercial,industrial, and automotives areas.

We are looking forward to setting up business relationship with you and hope to provide you with the best service and solution. Let us make a better world for our industry!



## Contact us

Tel: +86-755-8981 8866 Fax: +86-755-8427 6832

Email & Skype: info@chipsmall.com Web: www.chipsmall.com

Address: A1208, Overseas Decoration Building, #122 Zhenhua RD., Futian, Shenzhen, China



## D-SUB contact support - VS-15-ST-DSUB-3P-LH - 1655331


Please be informed that the data shown in this PDF Document is generated from our Online Catalog. Please find the complete data in the user's documentation. Our General Terms of Use for Downloads are valid (<http://download.phoenixcontact.com>)



D-SUB contact carrier, shell size 2, accommodation for 3 combined contacts, contact type pin, fixing with 4-40 UNC thread and solder pins, for panel mounting frame VS-15-...



### Key commercial data

Packing unit	1 PCE
Minimum order quantity	10 PCE
GTIN	 4 046356 029278
Custom tariff number	85369010
Country of origin	GERMANY

### Technical data

#### Mechanical characteristics

Number of positions	3
Insertion/withdrawal cycles	≥ 500
Connection method	Fitting to accept combined contact
Ambient temperature (operation)	-55 °C ... 125 °C

#### Material data

Inflammability class according to UL 94	V0
Housing material	Steel, yellow chromated
Contact carrier material	PBTP
Contact surface material	Gold over nickel

# D-SUB contact support - VS-15-ST-DSUB-3P-LH - 1655331

## Classifications

### ETIM

ETIM 2.0	EC000438
ETIM 3.0	EC000438
ETIM 4.0	EC000438
ETIM 5.0	EC000438

### UNSPSC

UNSPSC 11	39121522
UNSPSC 12.01	39121522
UNSPSC 13.2	39121522
UNSPSC 6.01	30211923
UNSPSC 7.0901	39121522

### eCl@ss

eCl@ss 4.0	27140816
eCl@ss 4.1	27260701
eCl@ss 5.0	27260701
eCl@ss 5.1	27260701
eCl@ss 6.0	27260705
eCl@ss 7.0	27440309

## Approvals

### Approvals

---

Approvals

GOST

---

Ex Approvals

---

Approvals submitted

---

### Approval details

GOST 
--

## D-SUB contact support - VS-15-ST-DSUB-3P-LH - 1655331

### Accessories

#### Accessories

#### Contacts

D-SUB power contact - VS-ST-LH-3,6/18/3,8 - 1655467



POWER contact, for D-SUB combination inserts, for PCB assembly, pin, angled, rated current 40 A, gold-plated

---

D-SUB coaxial contact - VS-ST-KX-50-LP - 1655522



Coaxial contact, for D-SUB combination inserts, for PCB assembly, pin, angled, gold-plated

---

D-SUB coaxial contact - VS-ST-KX-75-LP - 1655645



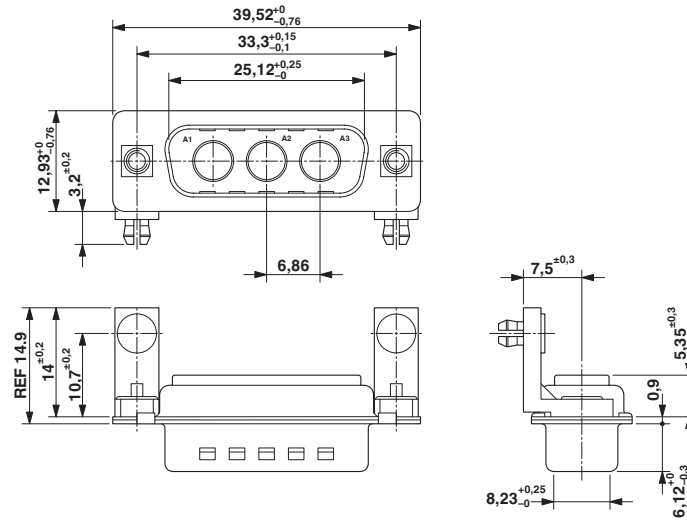
Coaxial contact, for D-SUB combination inserts, for PCB assembly, pin, angled, gold-plated

---

### Drawings

# D-SUB contact support - VS-15-ST-DSUB-3P-LH - 1655331

Dimensioned drawing



D-SUB contact carrier

# D-SUB contact support - VS-15-ST-DSUB-3P-LH - 1655331

Schematic diagram

