



Chipsmall Limited consists of a professional team with an average of over 10 year of expertise in the distribution of electronic components. Based in Hongkong, we have already established firm and mutual-benefit business relationships with customers from,Europe,America and south Asia,supplying obsolete and hard-to-find components to meet their specific needs.

With the principle of “Quality Parts,Customers Priority,Honest Operation,and Considerate Service”,our business mainly focus on the distribution of electronic components. Line cards we deal with include Microchip,ALPS,ROHM,Xilinx,Pulse,ON,Everlight and Freescale. Main products comprise IC,Modules,Potentiometer,IC Socket,Relay,Connector.Our parts cover such applications as commercial,industrial, and automotives areas.

We are looking forward to setting up business relationship with you and hope to provide you with the best service and solution. Let us make a better world for our industry!



## Contact us

Tel: +86-755-8981 8866 Fax: +86-755-8427 6832

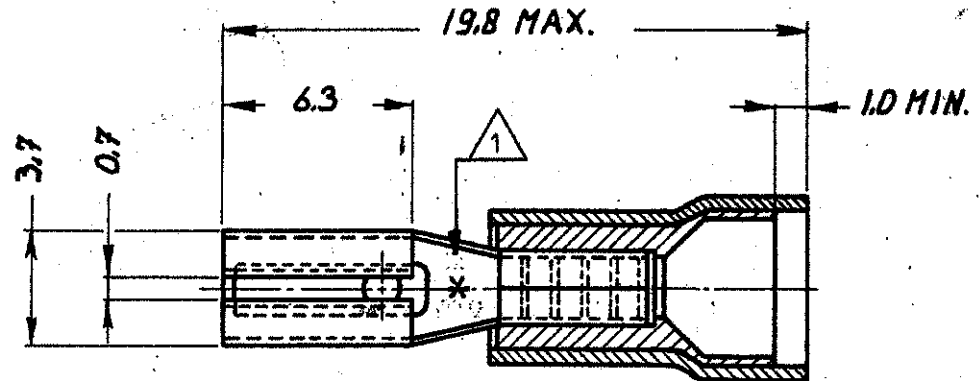
Email & Skype: info@chipsmall.com Web: www.chipsmall.com

Address: A1208, Overseas Decoration Building, #122 Zhenhua RD., Futian, Shenzhen, China



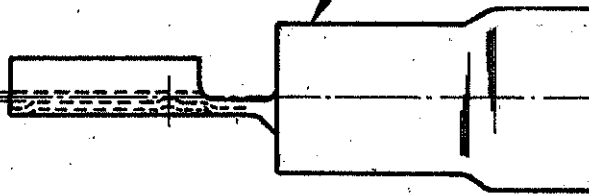
DRAWING MADE IN AMERICAN PROJECTION

NUMBER C-165617



FITS 0.8 TAB THK.

BLUE P.V.C INSULATION.



① ASTERISK \* FOR PH.BRONZE VERSION ONLY.

\*\* FOR WIRES I.D UP TO 1.5 mm<sup>2</sup> CONTACT AMP

③ OBSOLETE W/O REPLACEMENT

2-165617-5	165617-5	TAPE MOUNTED
2-165617-2	165617-2	TAPE MOUNTED
③ 165617-4	PH. BRONZE	GOLD
③ 165617-6	PH. BRONZE	SILVER
165617-5	PH. BRONZE	TIN
③ 165617-4	BRASS	GOLD
③ 165617-3	BRASS	SILVER
165617-2	BRASS	TIN

**CUSTOMER COPY FOR REFERENCE ONLY**

©1981 BY AMP-HOLLAND N.V. ALL RIGHTS RESERVED A-MP PRODUCTS COVERED BY PATENTS AND/OR PATENTS PENDING.



AMP - HOLLAND N.V.  
's-Hertogenbosch

WIRE-RANGE	INSUL.-RANGE	FIRST USED
1.5-2.5 mm <sup>2</sup> **	4.3mm. MAX.	

ORDER NO.	MATERIAL	PLATING
DR B. WILLEMSSEN	DATE NOV. 81	DE DATE

SCALE	SIZE	NO	REV
N.O.S.	A	C-165617	G

CHK	DATE	APP	DATE
B. Jans	18-11-81		19-11-81

NAME 110 SERIES PIDG FASTON RECEPTACLE

DIMENSIONS IN M.M. DO NOT SCALE PRINT