



Chipsmall Limited consists of a professional team with an average of over 10 year of expertise in the distribution of electronic components. Based in Hongkong, we have already established firm and mutual-benefit business relationships with customers from,Europe,America and south Asia,supplying obsolete and hard-to-find components to meet their specific needs.

With the principle of “Quality Parts,Customers Priority,Honest Operation,and Considerate Service”,our business mainly focus on the distribution of electronic components. Line cards we deal with include Microchip,ALPS,ROHM,Xilinx,Pulse,ON,Everlight and Freescale. Main products comprise IC,Modules,Potentiometer,IC Socket,Relay,Connector.Our parts cover such applications as commercial,industrial, and automotives areas.

We are looking forward to setting up business relationship with you and hope to provide you with the best service and solution. Let us make a better world for our industry!



## Contact us

Tel: +86-755-8981 8866 Fax: +86-755-8427 6832

Email & Skype: info@chipsmall.com Web: www.chipsmall.com

Address: A1208, Overseas Decoration Building, #122 Zhenhua RD., Futian, Shenzhen, China



## Front plate - VS-SI-FP-2DSUB15 - 1656592

Please be informed that the data shown in this PDF Document is generated from our Online Catalog. Please find the complete data in the user's documentation. Our General Terms of Use for Downloads are valid (<http://download.phoenixcontact.com>)



Data front plate, plastic, for 2 x 15-pos. D-SUB, item 1656961 may be required for mounting D-SUB inserts



### Key commercial data

Packing unit	1 pc
Weight per Piece (excluding packing)	20.4 GRM
Custom tariff number	85389099
Country of origin	Czech Republic

### Technical data

#### Ambient conditions

Ambient temperature (operation)	-10 °C ... 60 °C
---------------------------------	------------------

#### General

Color	gray
Housing material	PBT
Inflammability class according to UL 94	V0

### Classifications

#### eCl@ss

eCl@ss 4.0	27140816
eCl@ss 4.1	27140816
eCl@ss 5.0	27189239
eCl@ss 5.1	27189239
eCl@ss 6.0	27144001
eCl@ss 7.0	27144001

# Front plate - VS-SI-FP-2DSUB15 - 1656592

## Classifications

### eCl@ss

eCl@ss 8.0	27144001
------------	----------

### ETIM

ETIM 2.0	EC000007
ETIM 3.0	EC000007
ETIM 4.0	EC000007
ETIM 5.0	EC000456

### UNSPSC

UNSPSC 6.01	31261501
UNSPSC 7.0901	31261501
UNSPSC 11	31261501
UNSPSC 12.01	31261501
UNSPSC 13.2	31261501

## Accessories

### Accessories

### Marking material

Marker labels - VS-SI-BZ - 1656660



Marker label, plastic, plate with 20 labels

Mounting set - VS-SI-SCREW-GC - 1656961

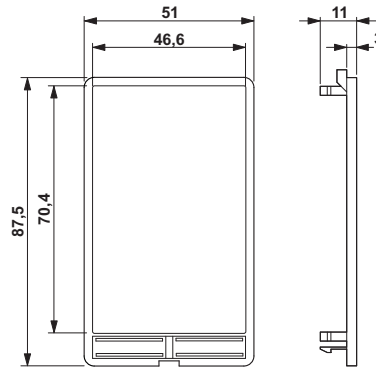


Mounting set, for DSUB gender changer contact inserts

## Drawings

## Front plate - VS-SI-FP-2DSUB15 - 1656592

Dimensioned drawing



Front plate