



Chipsmall Limited consists of a professional team with an average of over 10 year of expertise in the distribution of electronic components. Based in Hongkong, we have already established firm and mutual-benefit business relationships with customers from,Europe,America and south Asia,supplying obsolete and hard-to-find components to meet their specific needs.

With the principle of “Quality Parts,Customers Priority,Honest Operation,and Considerate Service”,our business mainly focus on the distribution of electronic components. Line cards we deal with include Microchip,ALPS,ROHM,Xilinx,Pulse,ON,Everlight and Freescale. Main products comprise IC,Modules,Potentiometer,IC Socket,Relay,Connector.Our parts cover such applications as commercial,industrial, and automotives areas.

We are looking forward to setting up business relationship with you and hope to provide you with the best service and solution. Let us make a better world for our industry!



## Contact us

Tel: +86-755-8981 8866 Fax: +86-755-8427 6832

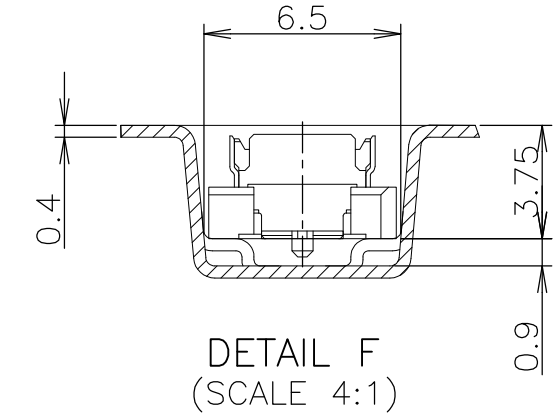
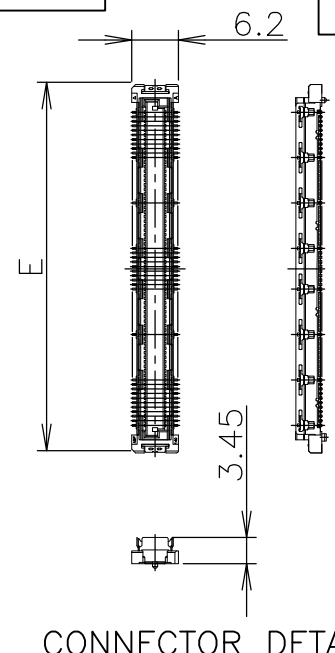
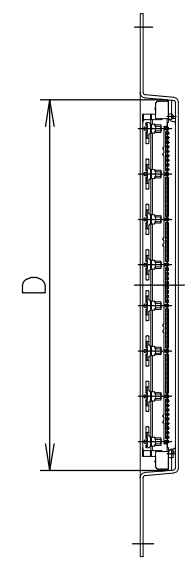
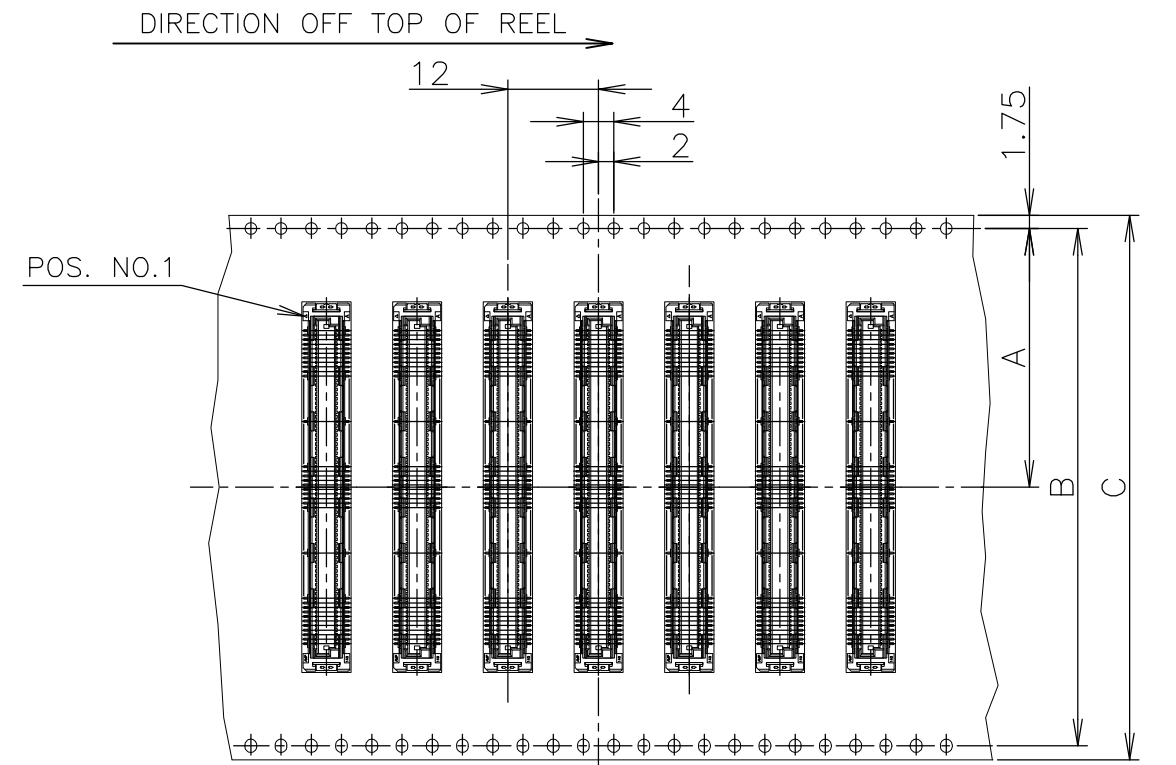
Email & Skype: info@chipsmall.com Web: www.chipsmall.com

Address: A1208, Overseas Decoration Building, #122 Zhenhua RD., Futian, Shenzhen, China

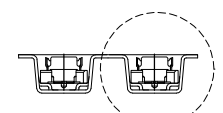


THIS DRAWING IS UNPUBLISHED. RELEASED FOR PUBLICATION FEB , 1995.  
 © COPYRIGHT 1995 By - ALL RIGHTS RESERVED.

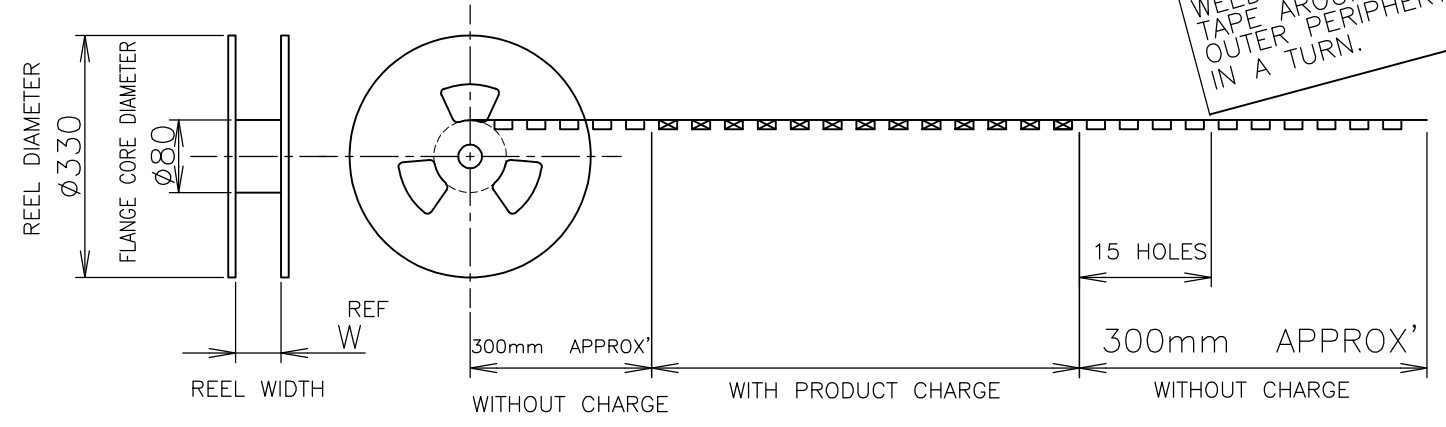
LOC	DIST	REVISIONS					
J	/	P	LTR	DESCRIPTION	DATE	DWN	APVD
		C2	REVISED	ECR-15-012060	14SEP2015	I.T	W.H



CONNECTOR DETAIL



SEE DETAIL F



WEEDING THE COVER TAPE AROUND THE OUTER PERIPHERY IN A TURN.

SEALANT	TOOLING STATUS	QTY.	FINISH	W	E	D	C	B	A	POS.	PART NO.
NOT AVAILABLE		1000	△	77.5	54.7	55	72	68.4	34.2	160	6-5353184-1
AVAILABLE				77.5	48.7	49	72	68.4	34.2	140	6- -0
NOT AVAILABLE				61.5	42.7	43	56	52.4	26.2	120	5- -9
				61.5	36.7	37	56	52.4	26.2	100	5- -8
				61.5	33.7	34	56	52.4	26.2	90	5- -7
NOT AVAILABLE				49.5	30.7	31	44	40.4	20.2	80	5- -6
NOT AVAILABLE				49.5	27.7	28	44	40.4	20.2	70	5- -5
NOT AVAILABLE				49.5	24.7	25	44	40.4	20.2	60	5- -4
AVAILABLE				37.5	21.7	22	32	28.4	14.2	50	5- -3
NOT AVAILABLE				37.5	18.7	19	32	28.4	14.2	40	5- -2
NOT AVAILABLE		1000	△	29.5	15.7	16	24	11.5		30	5-5353184-1
NON SEALANT				77.5	48.7	49	72	68.4	34.2	140	4-5353184-0
AVAILABLE			△	61.5	36.7	37	56	52.4	26.2	100	3- -8
NOT AVAILABLE			△	77.5	54.7	55	72	68.4	34.2	160	1- -1
AVAILABLE				77.5	48.7	49	72	68.4	34.2	140	1- -0
NOT AVAILABLE				61.5	42.7	43	56	52.4	26.2	120	-9
AVAILABLE				61.5	36.7	37	56	52.4	26.2	100	-8
NOT AVAILABLE				61.5	33.7	34	56	52.4	26.2	90	-7
NOT AVAILABLE				49.5	30.7	31	44	40.4	20.2	80	-6
AVAILABLE				49.5	27.7	28	44	40.4	20.2	70	-5
NOT AVAILABLE				49.5	24.7	25	44	40.4	20.2	60	-4
AVAILABLE				37.5	21.7	22	32	28.4	14.2	50	-3
NOT AVAILABLE				37.5	18.7	19	32	28.4	14.2	40	-2
NOT AVAILABLE		1000	△	29.5	15.7	16	24	11.5		30	5353184-1

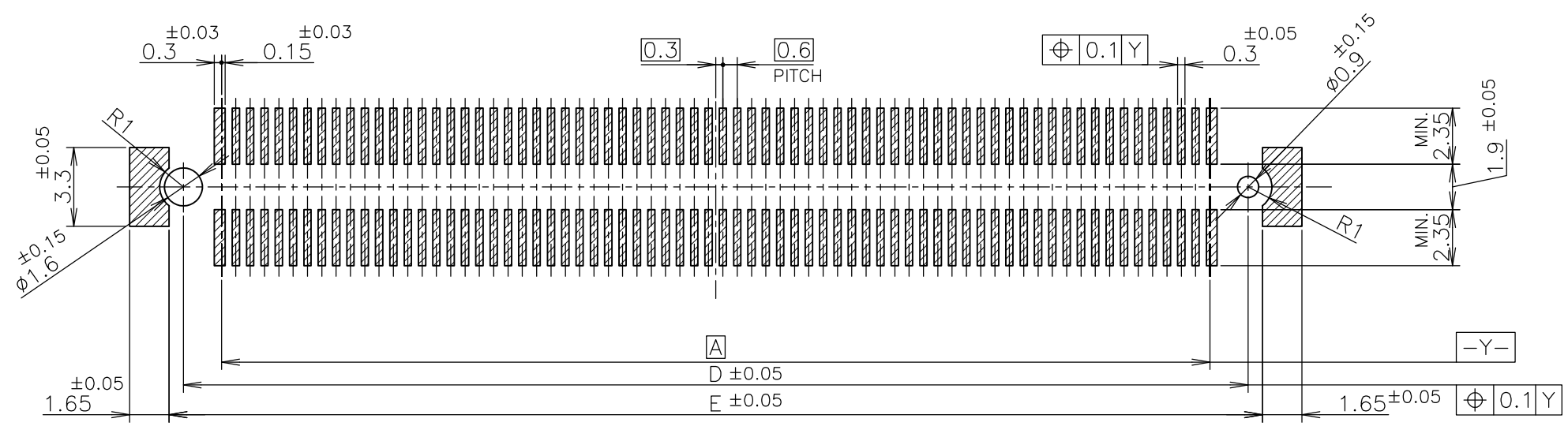
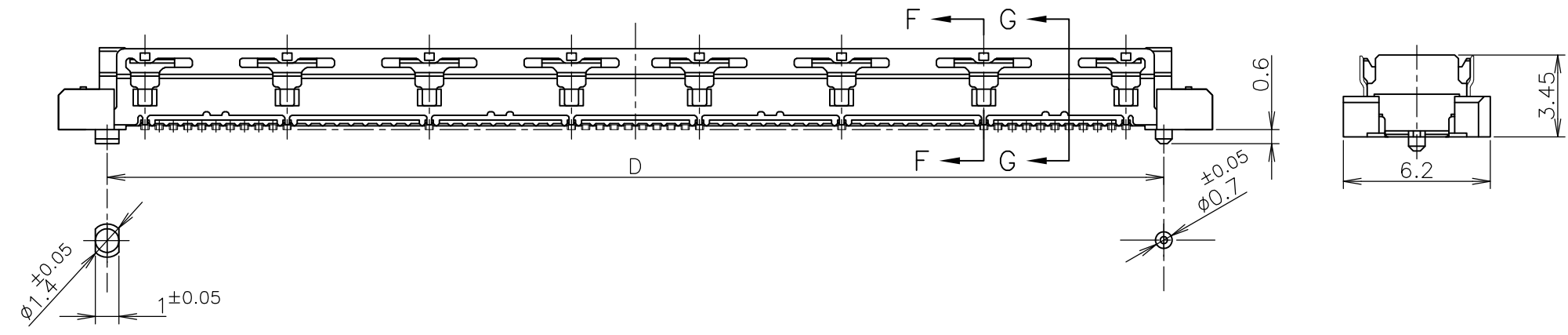
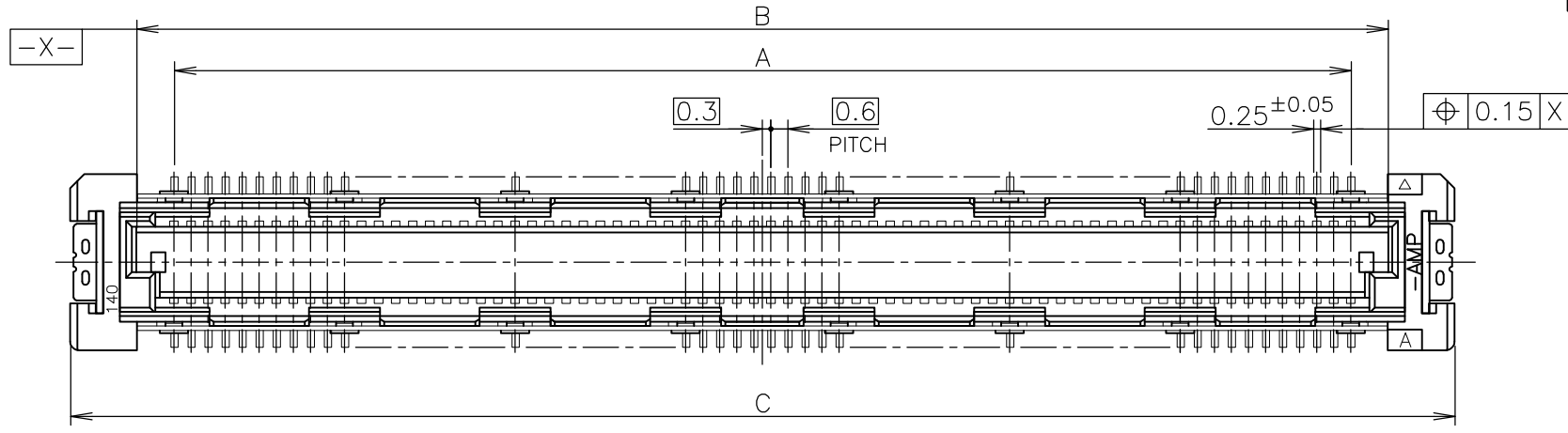
THIS DRAWING IS A CONTROLLED DOCUMENT.

DIMENSIONS: 単位: 耗 mm	TOLERANCES UNLESS OTHERWISE SPECIFIED: 一般公差	DWN HAWKING HE 08DEC04	 TE Connectivity EMBOSS ASSY FH 0.6BTB CONNECTOR PLUG 4H WITH G-PLATE
		CHK STEVEN YAO 08DEC04	
		APVD I.ENOMOTO 08DEC04	
		NAME I.ENOMOTO	
		PRODUCT SPEC 製品規格 108-60047	RESTRICTED TO
		APPLICATION SPEC 取付適用規格 114-5255	SIZE A3
MATERIAL 材料	FINISH 仕上	WEIGHT	CAGE CODE 00779
			DRAWING NO G-5353184
			SCALE 尺度 1:1
			SHEET 1 OF 3
			REV C2

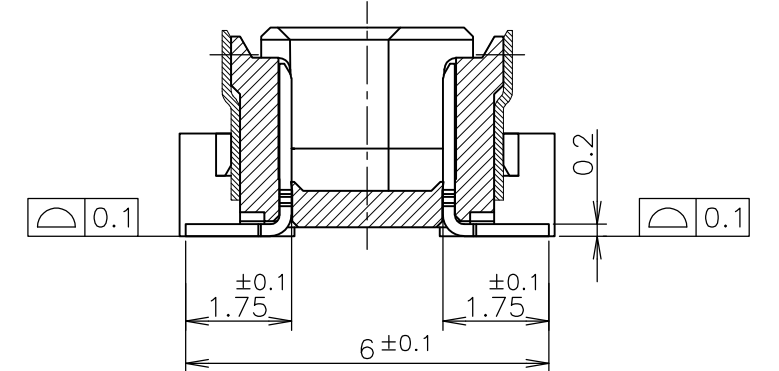
CUSTOMER DRAWING

THIS DRAWING IS UNPUBLISHED. RELEASED FOR PUBLICATION FEB , 1995.  
 © COPYRIGHT 1995 By - ALL RIGHTS RESERVED.

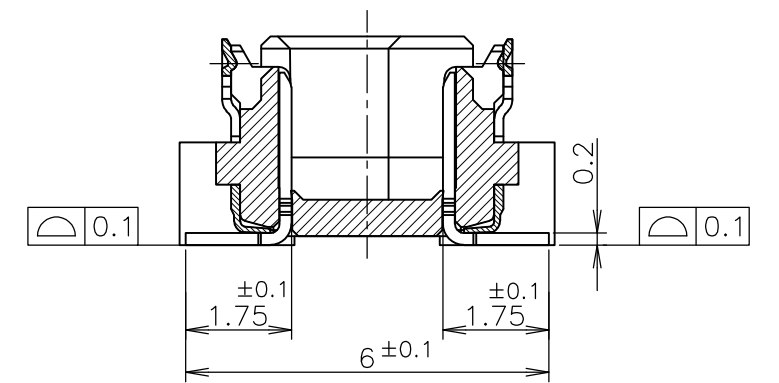
LOC	DIST	P	LTR	REVISIONS 変更	DATE	DWN	APVD
J	/			DESCRIPTION			
				SEE SHEET 1			



REFERENCE P.C. BOARD LAYOUT



G-G  
(SIGNAL POSITION)  
(SCALE 8:1)



F-F  
(GROUND POSITION)  
(SCALE 8:1)

AVAILABLE	51.8	50.6	54.7	50	47.4	160
AVAILABLE	45.8	44.6	48.7	44	41.4	140
NOT AVAILABLE	39.8	38.6	42.7	38	35.4	120
AVAILABLE	33.8	32.6	36.7	32	29.4	100
NOT AVAILABLE	30.8	29.6	33.7	29	26.4	90
NOT AVAILABLE	27.8	26.6	30.7	26	23.4	80
AVAILABLE	24.8	23.6	27.7	23	20.4	70
AVAILABLE	21.8	20.6	24.7	20	17.4	60
AVAILABLE	18.8	17.6	21.7	17	14.4	50
NOT AVAILABLE	15.8	14.6	18.7	14	11.4	40
NOT AVAILABLE	12.8	11.6	15.7	11	8.4	30
TOOLING STATUS	E	D	C	B	A	POS

THIS DRAWING IS A CONTROLLED DOCUMENT.

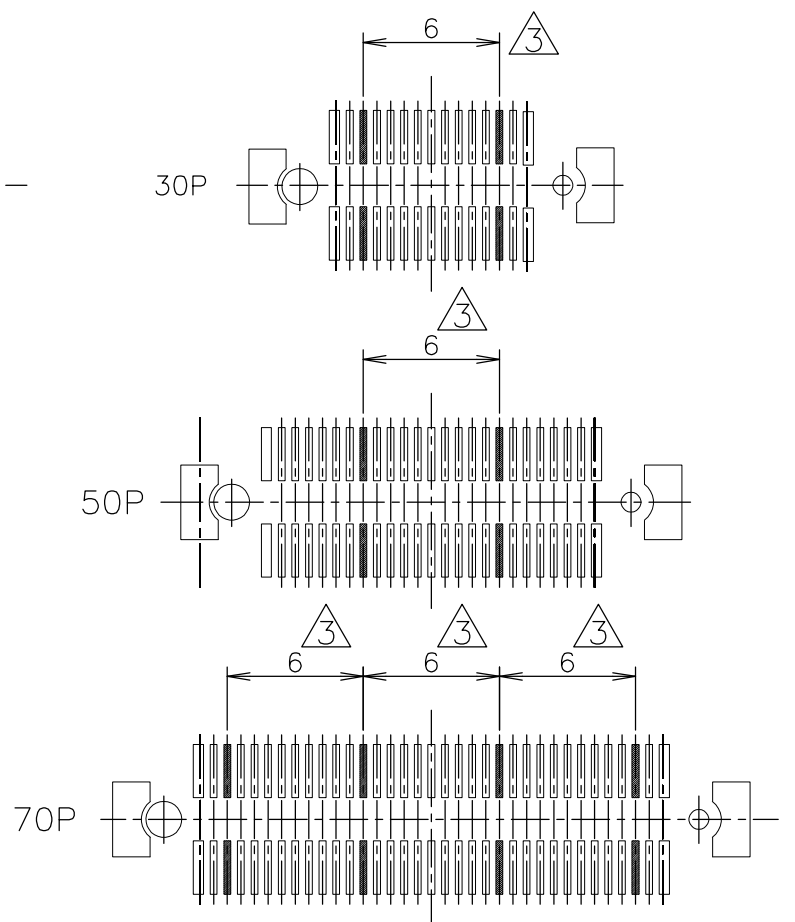
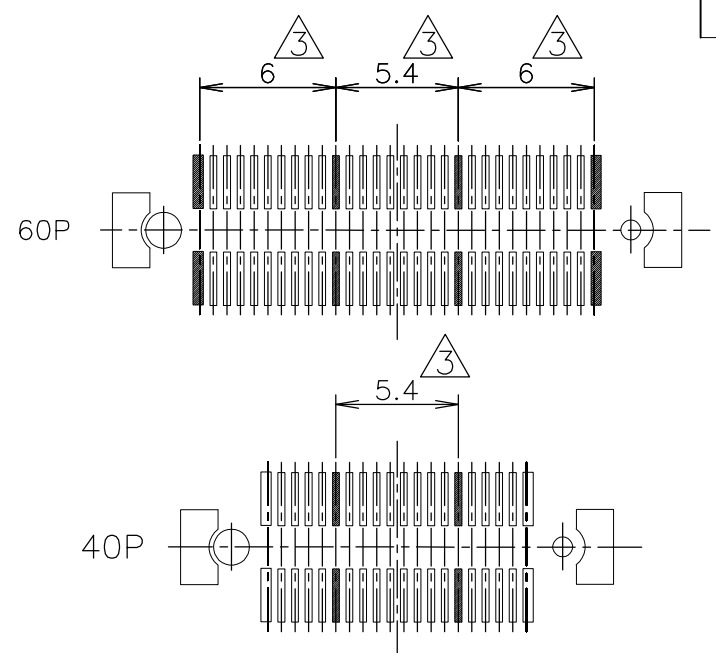
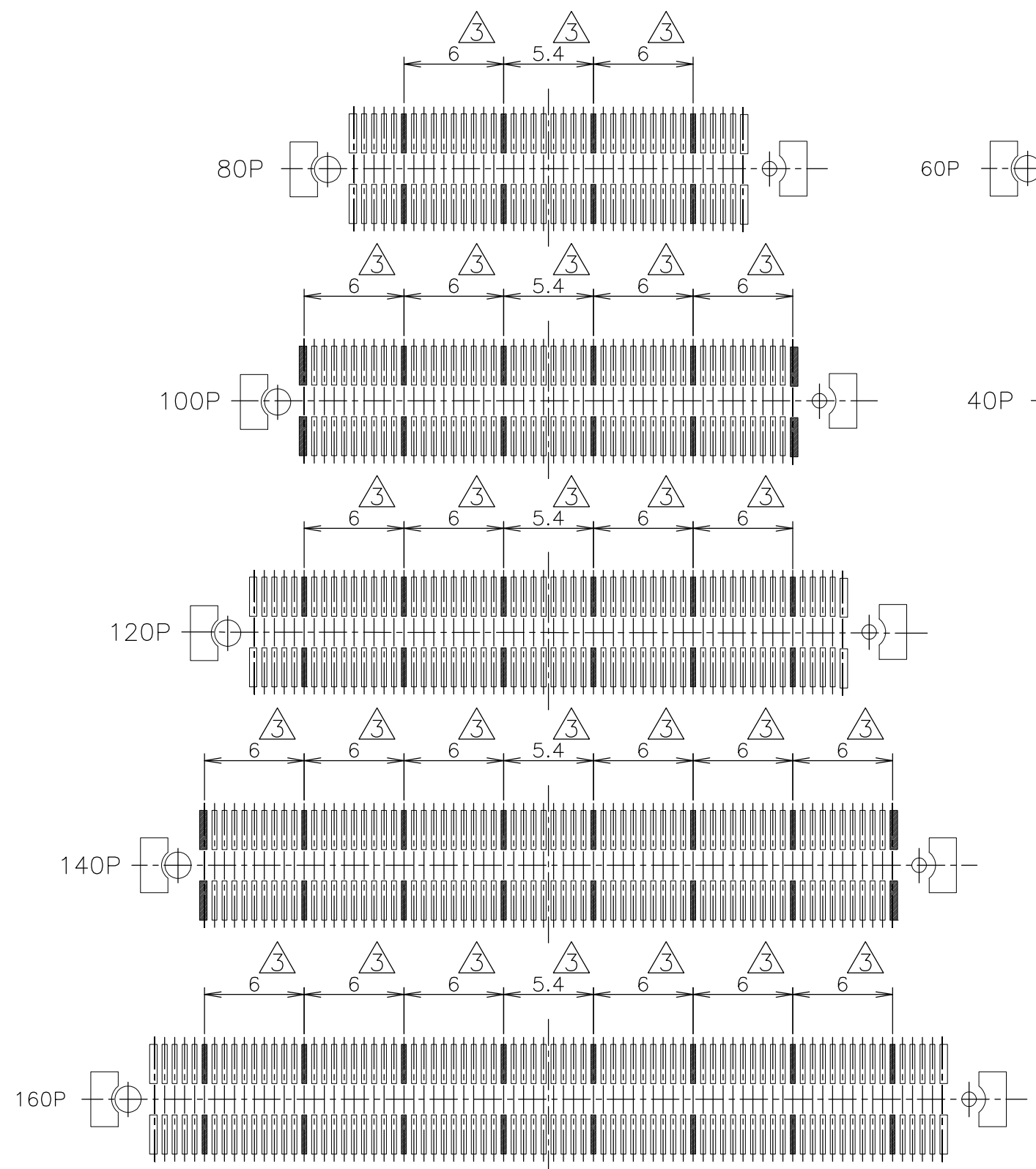
DIMENSIONS: 单位: 耗 mm	TOLERANCES UNLESS OTHERWISE SPECIFIED: 一般公差	DWN	TE Connectivity NAME 名称 EMBOSS ASSY FH 0.6BTB CONNECTOR PLUG 4H WITH G-PLATE
	0 PLC ± 0.3	CHK	
	1 PLC ± 0.3	APVD	
	2 PLC ± 0.3	PRODUCT SPEC 製品規格	
	3 PLC ± 0.3	APPLICATION SPEC 取付適用規格	
MATERIAL 材料	FINISH 仕上	WEIGHT	SIZE A3 CAGE CODE 00779 DRAWING NO G-5353184 RESTRICTED TO 番号
CUSTOMER DRAWING			SCALE 尺度 4:1 SHEET 2 OF 3 REV C2

THIS DRAWING IS UNPUBLISHED. RELEASED FOR PUBLICATION FEB , 1995.  
 © COPYRIGHT 1995 By - ALL RIGHTS RESERVED.

LOC	DIST	REVISIONS		
J		変更		
P	LTR	DESCRIPTION	DATE	DWN
		SEE SHEET 1	-	-
				APVD

D  
C  
B  
A  
PROJ NO.695-013

D  
C  
B  
A



- ① MATERIAL : HOUSING : HIGH TEMP THERMO PLASTIC, UL94V-0  
CONTACT : COPPER ALLOY
- ② FINISH : UNDER PL Ni 0.0013mm MIN ALL OVER.  
CONTACT AREA: 0.0002mm MIN Au PL.  
SOLDERING AREA: 0.001mm MIN TIN PL.
- ③ THIS POSITION IS GROUND CIRCUIT.
- ④ THIS PRODUCT WAS COATED BY FLUX-PENETRATION  
-INHIBITING AGENT.
- ⑤ FINISH : UNDER PL Ni 0.0013mm MIN ALL OVER.  
CONTACT AREA: 0.00076mm MIN Au PL.  
SOLDERING AREA: 0.001mm MIN TIN PL.

THIS DRAWING IS A CONTROLLED DOCUMENT.		DWN		TE Connectivity	
DIMENSIONS: 単位: 耗 mm		CHK			
TOLERANCES UNLESS OTHERWISE SPECIFIED: 一般公差		APVD		NAME 名称	
0 PLC ± 0.3 1 PLC ± 0.3 2 PLC ± 0.3 3 PLC ± 0.3 4 PLC ± 0.3 ANGLES ± 3'		PRODUCT SPEC 製品規格		EMBOSS ASSY	
MATERIAL 材料		FINISH 仕上		FH 0.6BTB CONNECTOR	
		APPLICATION SPEC 取付適用規格		PLUG 4H WITH G-PLATE	
		WEIGHT		SIZE	CAGE CODE
		CUSTOMER DRAWING		A3	00779
				DRAWING NO 番号	RESTRICTED TO
				G-5353184	-
				SCALE 尺度	SHEET
				3:1	3 OF 3
				REV	C2