



Chipsmall Limited consists of a professional team with an average of over 10 year of expertise in the distribution of electronic components. Based in Hongkong, we have already established firm and mutual-benefit business relationships with customers from,Europe,America and south Asia,supplying obsolete and hard-to-find components to meet their specific needs.

With the principle of “Quality Parts,Customers Priority,Honest Operation,and Considerate Service”,our business mainly focus on the distribution of electronic components. Line cards we deal with include Microchip,ALPS,ROHM,Xilinx,Pulse,ON,Everlight and Freescale. Main products comprise IC,Modules,Potentiometer,IC Socket,Relay,Connector.Our parts cover such applications as commercial,industrial, and automotives areas.

We are looking forward to setting up business relationship with you and hope to provide you with the best service and solution. Let us make a better world for our industry!



Contact us

Tel: +86-755-8981 8866 Fax: +86-755-8427 6832

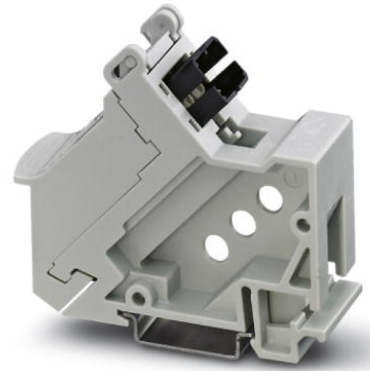
Email & Skype: info@chipsmall.com Web: www.chipsmall.com

Address: A1208, Overseas Decoration Building, #122 Zhenhua RD., Futian, Shenzhen, China



VS-PP-F-SCRJ

Order No.: 1658121



<http://eshop.phoenixcontact.de/phoenix/treeViewClick.do?UID=1658121>

Patch panel, SCRJ, DIN rail mounting, IP20, one slot, socket/socket,
can be used for glass, multi-mode, HCS and polymer fibers

Commercial data

EAN	4046356149167
Pack	1 pcs.
Customs tariff	85366990
Weight/Piece	0.0504 KG
Catalog page information	Page 221 (PC-2009)

Product notes

WEEE/RoHS-compliant since:
01/01/2008



<http://www.download.phoenixcontact.com>
Please note that the data given here has been taken from the online catalog. For comprehensive information and data, please refer to the user documentation. The General Terms and Conditions of Use apply to Internet downloads.

Technical data

Mechanical characteristics

Number of positions	2
Number of slots	1
Connection profile	SCRJ according to DIN EN 50377-6-1
Fiber type	GOF, HCS, POF
Ferrule diameter	2.50 mm

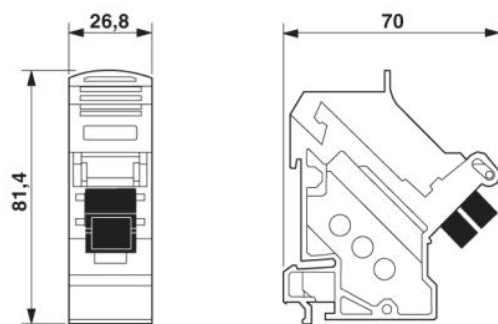
Insertion/withdrawal cycles	≥ 500
External cable diameter	4.5 mm ... 8 mm
Color	gray
Ambient temperature (operation)	-10 °C ... 60 °C

Material data

Inflammability class acc. to UL 94	V0
Housing material	PC-GF
Ferrule material	Zirconia ceramics
Ferrule holder color	White
Degree of protection	IP20

Diagrams/Drawings

Dimensioned drawing



SCRJ patch panel

Address

PHOENIX CONTACT Deutschland GmbH
Flachmarktstr. 8
32825 Blomberg, Germany
Phone +49 5235 3 12000
Fax +49 5235 3 41200
<http://www.phoenixcontact.de>



© 2010 Phoenix Contact
Technical modifications reserved;