



Chipsmall Limited consists of a professional team with an average of over 10 year of expertise in the distribution of electronic components. Based in Hongkong, we have already established firm and mutual-benefit business relationships with customers from,Europe,America and south Asia,supplying obsolete and hard-to-find components to meet their specific needs.

With the principle of “Quality Parts,Customers Priority,Honest Operation,and Considerate Service”,our business mainly focus on the distribution of electronic components. Line cards we deal with include Microchip,ALPS,ROHM,Xilinx,Pulse,ON,Everlight and Freescale. Main products comprise IC,Modules,Potentiometer,IC Socket,Relay,Connector.Our parts cover such applications as commercial,industrial, and automotives areas.

We are looking forward to setting up business relationship with you and hope to provide you with the best service and solution. Let us make a better world for our industry!



## Contact us

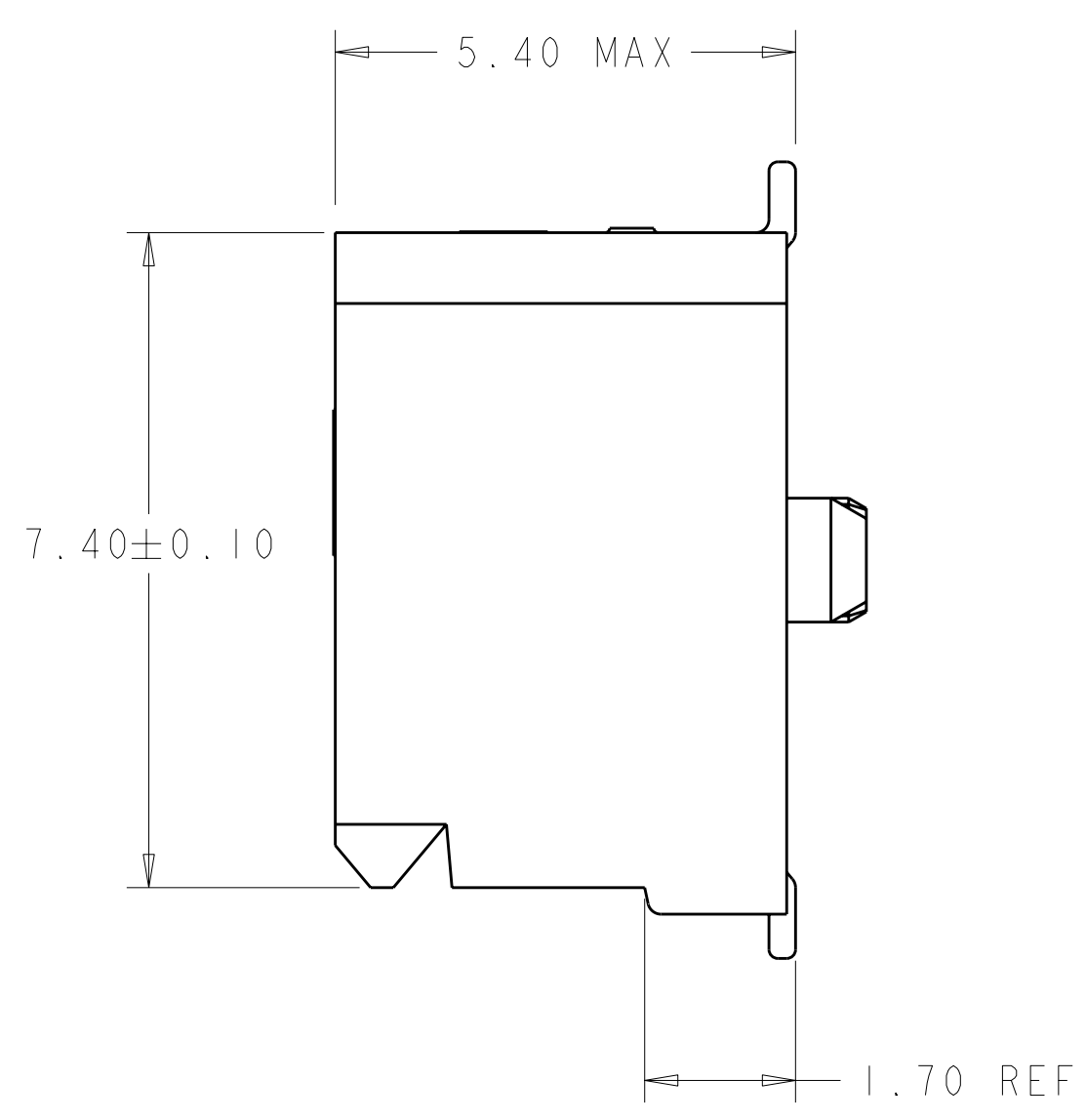
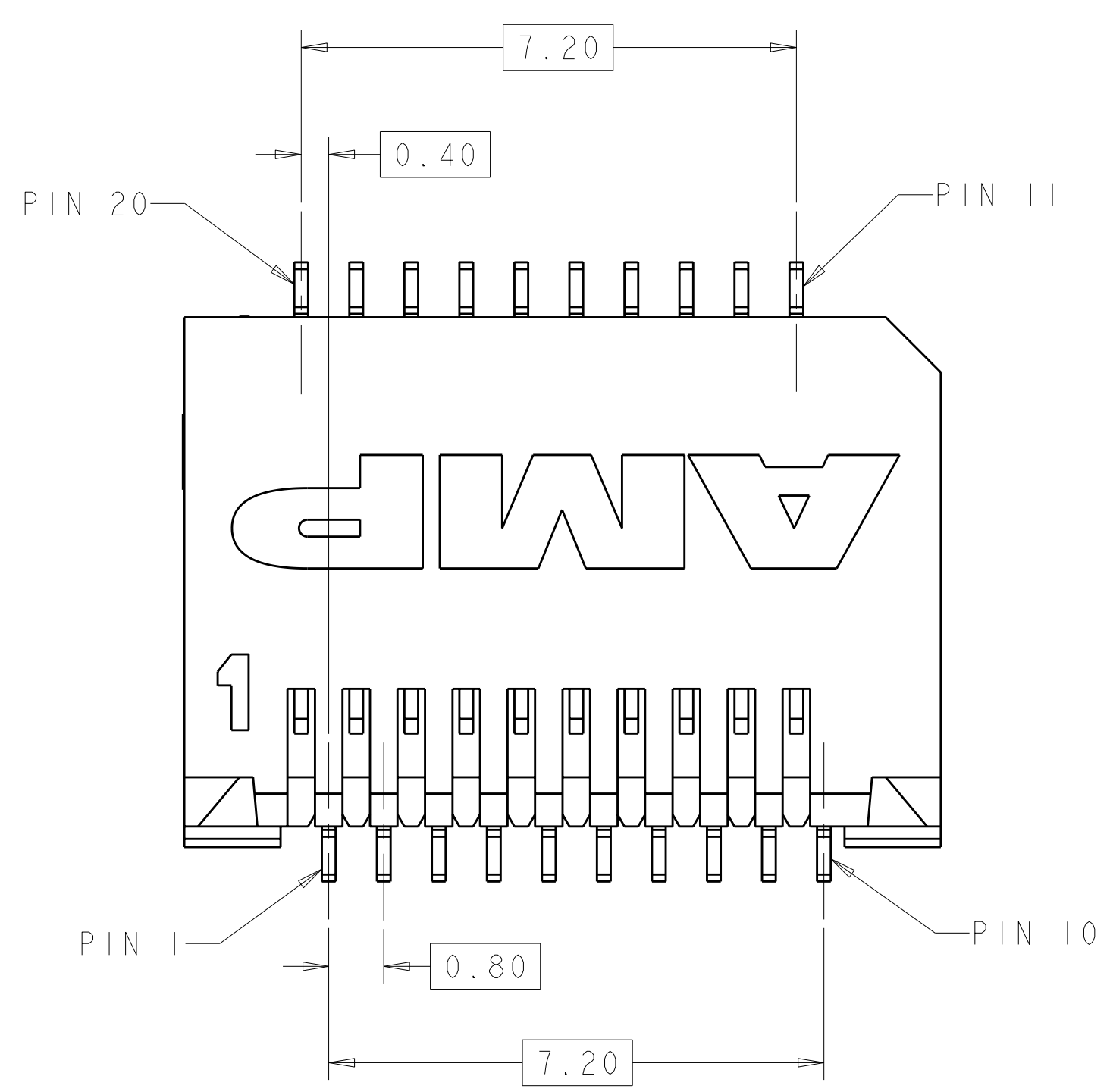
Tel: +86-755-8981 8866 Fax: +86-755-8427 6832

Email & Skype: info@chipsmall.com Web: www.chipsmall.com

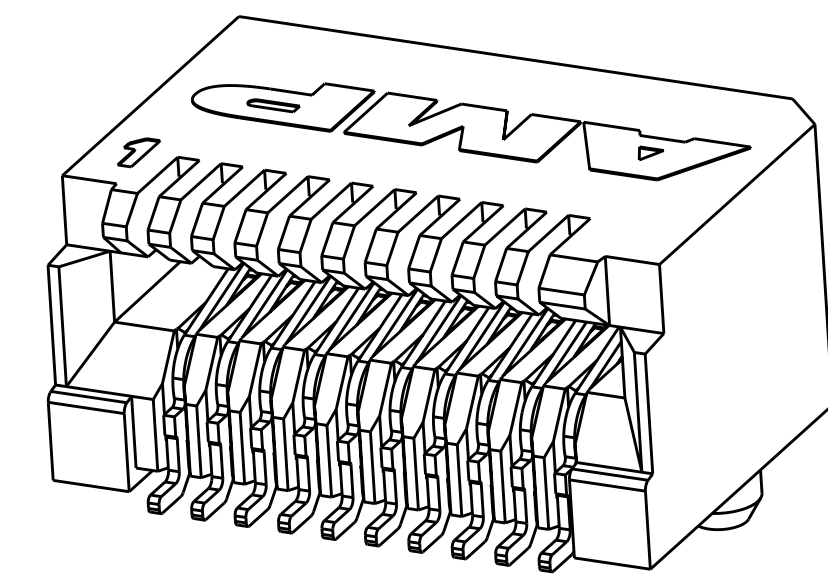
Address: A1208, Overseas Decoration Building, #122 Zhenhua RD., Futian, Shenzhen, China



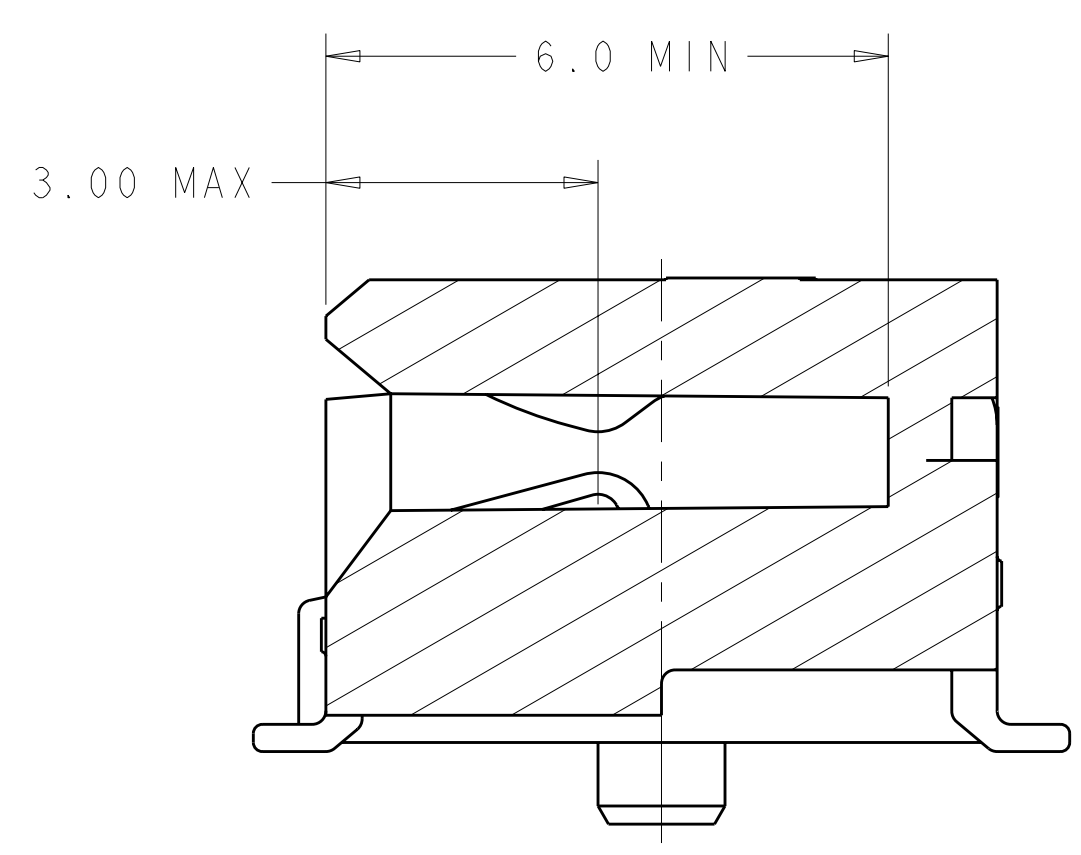
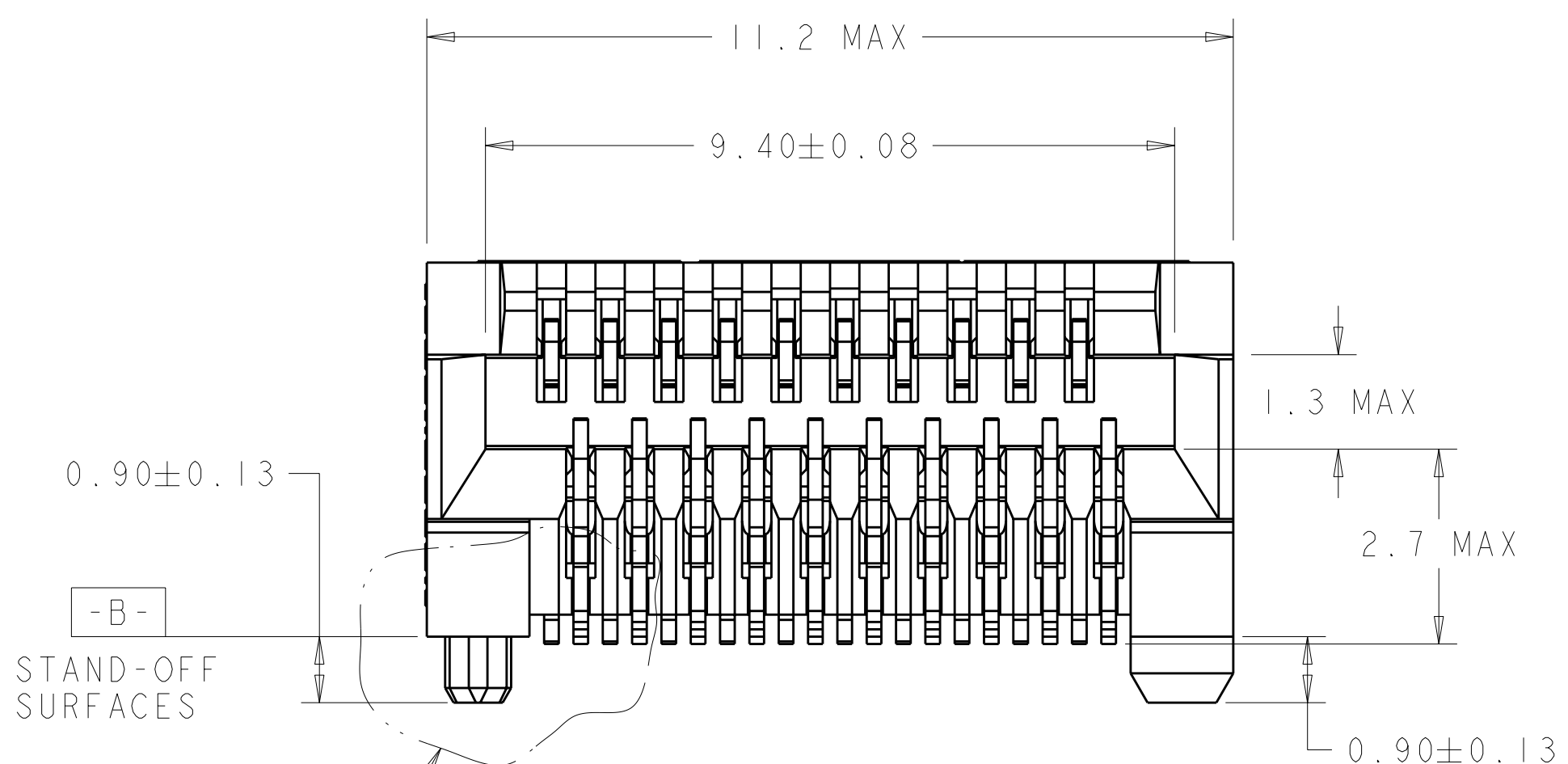
LOC	DIST	REV	DATE	BY	CHKD	APVD
ES	00	D1	17MAR2011	RK	HMR	



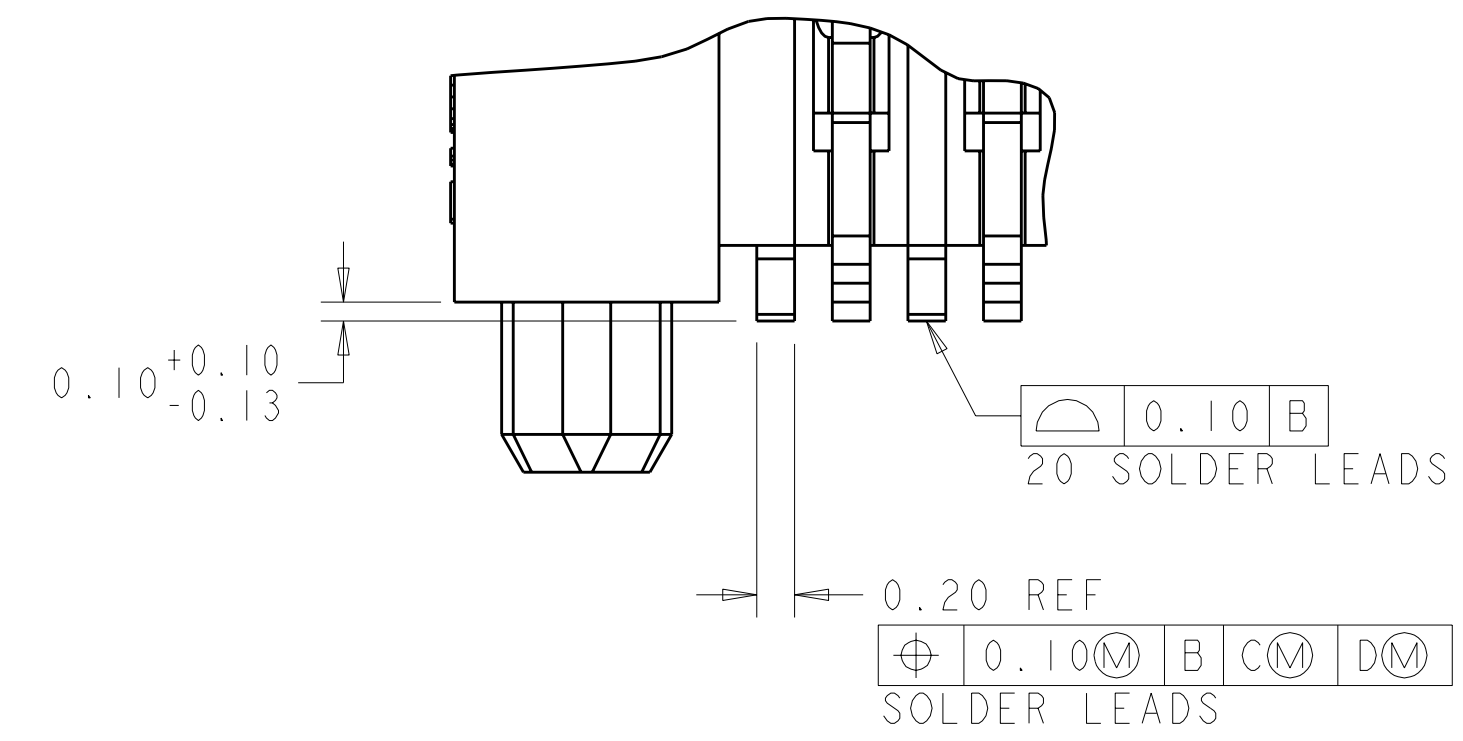
- PART COMPATABLE WITH SFP MSA. REFER TO THE SFP MSA FOR DIMENSIONS NOT SHOWN ON THIS PRINT.
- HOUSING: HIGH TEMPERATURE LCP, UL 94V-0 RATED, BLACK. CONTACTS: PHOSPHOR BRONZE.
- CONTACTS: 0.00076 MIN GOLD IN CONTACT AREA, 0.00013 MIN GOLD ON SOLDER AREA, OVER 0.0038 MIN NICKEL UNDERPLATE ON ENTIRE CONTACT. LUBRICANT ON GOLD PLATE CONTACT AREAS.
- PACKAGED 480 PIECES PER REEL.
- DATUMS AND BASIC DIMENSIONS TO BE ESTABLISHED BY CUSTOMER, SEE DRAWING 1367034 FOR LAYOUT WHEN USED WITH 1367034-1 BOTTOM CAGE (STANDARD SFP APPLICATION).



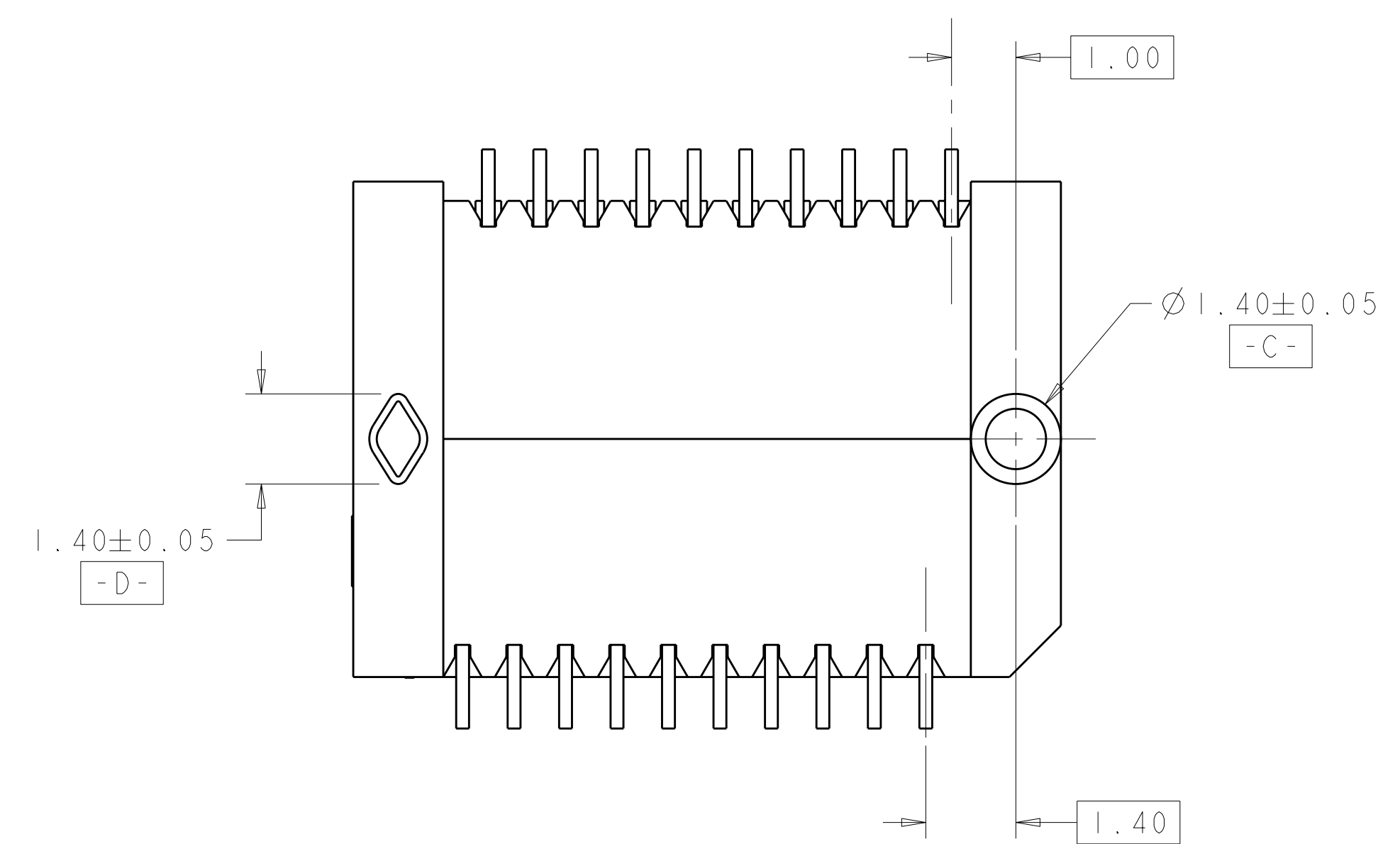
SCALE 8:1



SECTION Z-Z



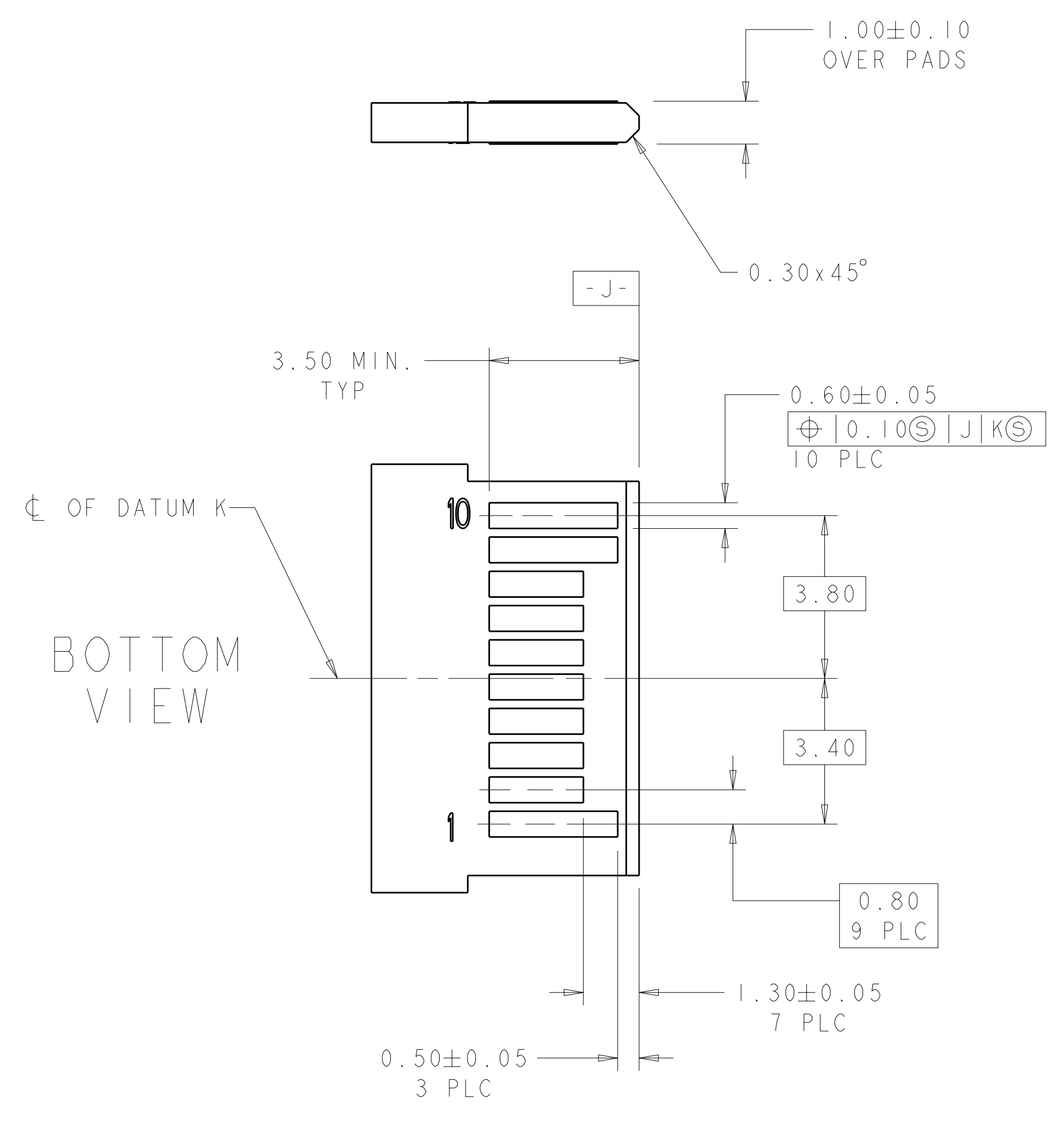
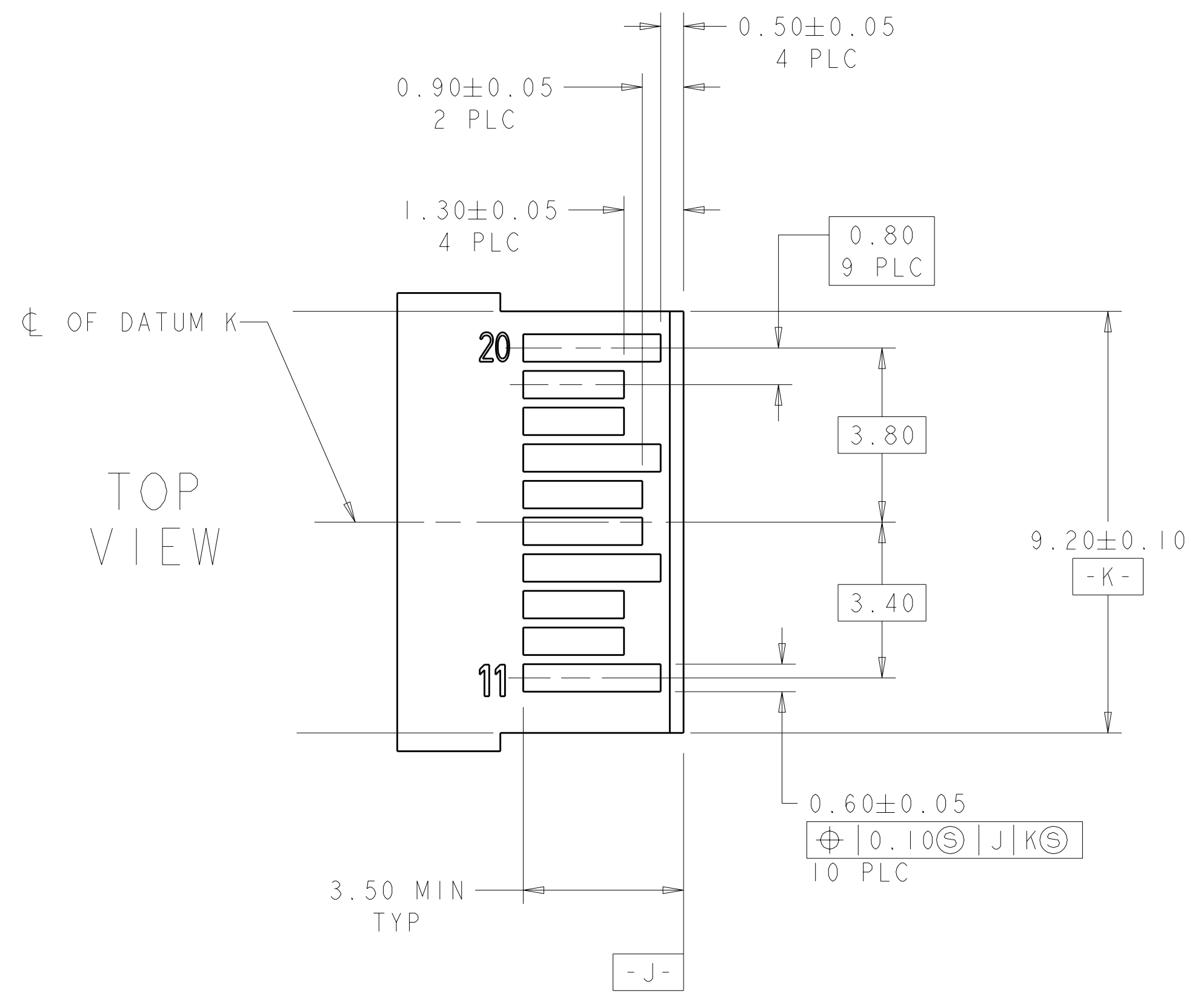
DETAIL H  
SCALE 25:1



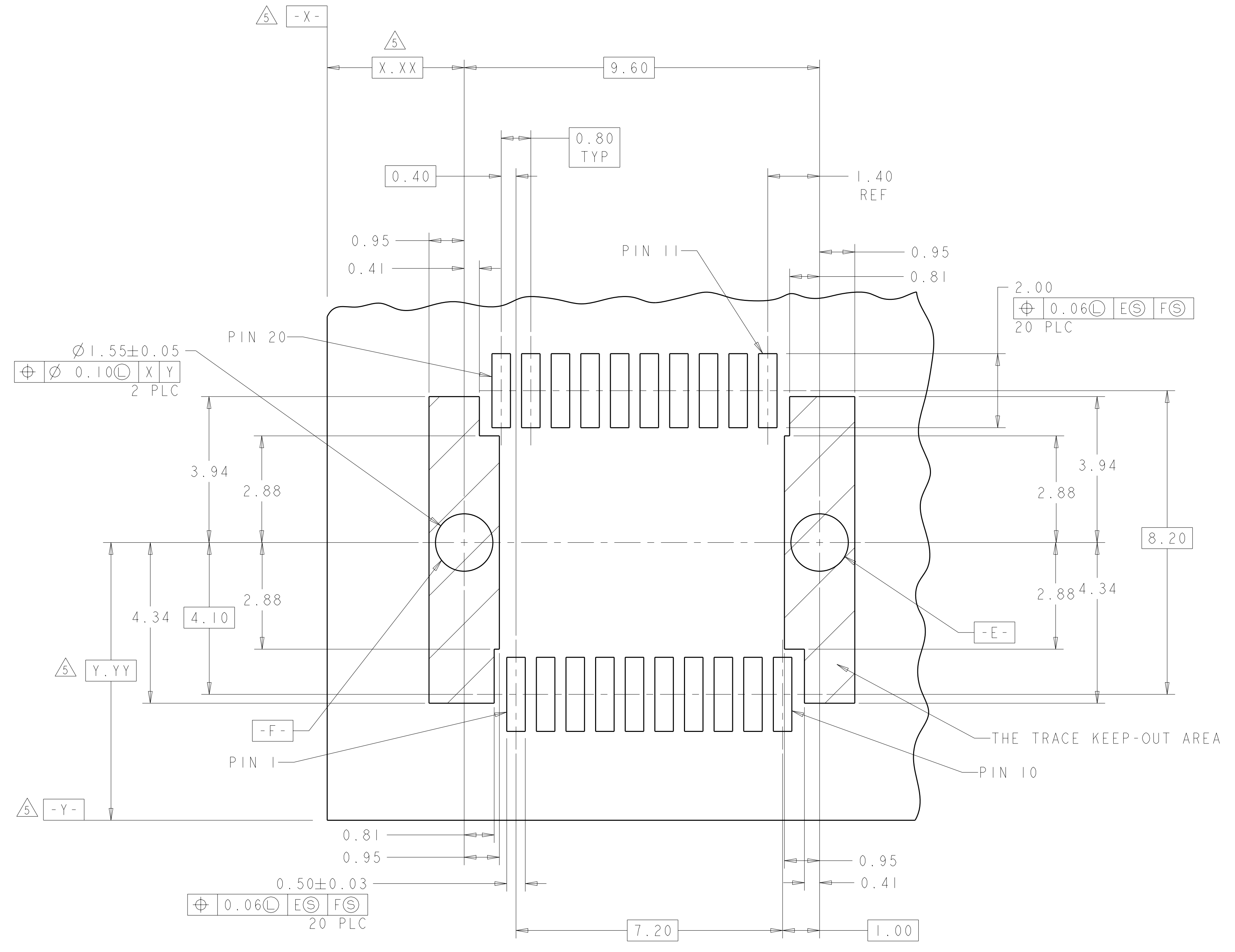
FINISH	1658197-1
PART NUMBER	

THIS DRAWING IS A CONTROLLED DOCUMENT.		DWN: J. GERACE 25NOV02		REV: 1658197-1	
DIMENSIONS: mm		CHK: J. KOPPENHEFFER 02SEP03		NAME: PT CONNECTOR ASSEMBLY, LUBED, 20 POSITION SFP, RIGHT ANGLE 0.8MM PITCH	
TOLERANCES UNLESS OTHERWISE SPECIFIED:		APVD: M. WALMSLEY 02SEP03		PRODUCT SPEC: 108-1949	
9 PLC ±		PRODUCT SPEC: 114-13017		APPLICATION SPEC: 114-13017	
1 PLC ±0.10		WEIGHT: -		SIZE: A100779	
3 PLC ±		FINISH: SEE TABLE		CAGE CODE: C=1658197	
4 PLC ±		MATERIAL: SEE TABLE		DRAWING NO: 1658197	
ANGLES ±		CUSTOMER DRAWING		RESTRICTED TO: -	
SCALE: 12:1		SHEET: 1 OF 2		REV: D1	

LOC	DIST	REV	DATE	BY	APPD
ES	00				
REVISIONS			DESCRIPTION	DATE	BY
			SEE SHEET 1		



RECOMMENDED LAYOUT DETAIL  
 MATING TRANSCEIVER PCB  
 SCALE 10:1



RECOMMENDED PCB LAYOUT DETAIL  
 CONNECTOR MOUNTING SIDE  
 SCALE 14:1

THIS DRAWING IS A CONTROLLED DOCUMENT.		OWN: J. GERACE 25NOV02	TE Connectivity
DIMENSIONS: mm		CHK: J. KOPPENHEFFER 02SEP03	
TOLERANCES UNLESS OTHERWISE SPECIFIED:		APVD: M. WALMSLEY 02SEP03	NAME: PT CONNECTOR ASSEMBLY, LUBED, 20 POSITION SFP, RIGHT ANGLE 0.8MM PITCH
9 PLC ±		PRODUCT SPEC: 108-1949	SIZE: A100779
2 PLC ±0.10		APPLICATION SPEC: 114-13017	CAGE CODE: C=1658197
5 PLC ±		WEIGHT: -	RESTRICTED TO: -
4 PLC ±		CUSTOMER DRAWING	SCALE: 12:1 SHEET: 2 OF 2 REV: DL
ANGLES ±			
FINISH			