



Chipsmall Limited consists of a professional team with an average of over 10 year of expertise in the distribution of electronic components. Based in Hongkong, we have already established firm and mutual-benefit business relationships with customers from,Europe,America and south Asia,supplying obsolete and hard-to-find components to meet their specific needs.

With the principle of “Quality Parts,Customers Priority,Honest Operation,and Considerate Service”,our business mainly focus on the distribution of electronic components. Line cards we deal with include Microchip,ALPS,ROHM,Xilinx,Pulse,ON,Everlight and Freescale. Main products comprise IC,Modules,Potentiometer,IC Socket,Relay,Connector.Our parts cover such applications as commercial,industrial, and automotives areas.

We are looking forward to setting up business relationship with you and hope to provide you with the best service and solution. Let us make a better world for our industry!



Contact us

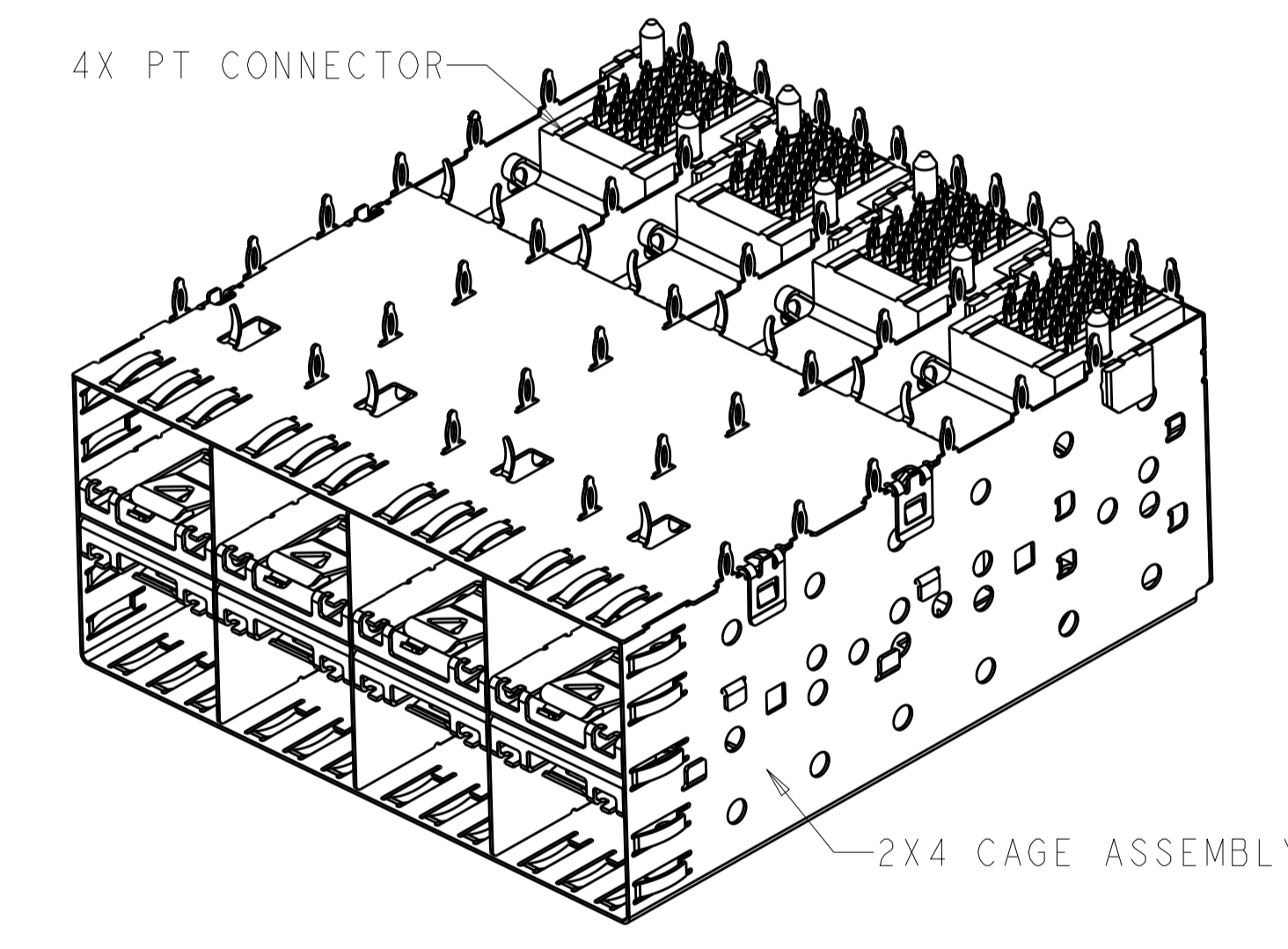
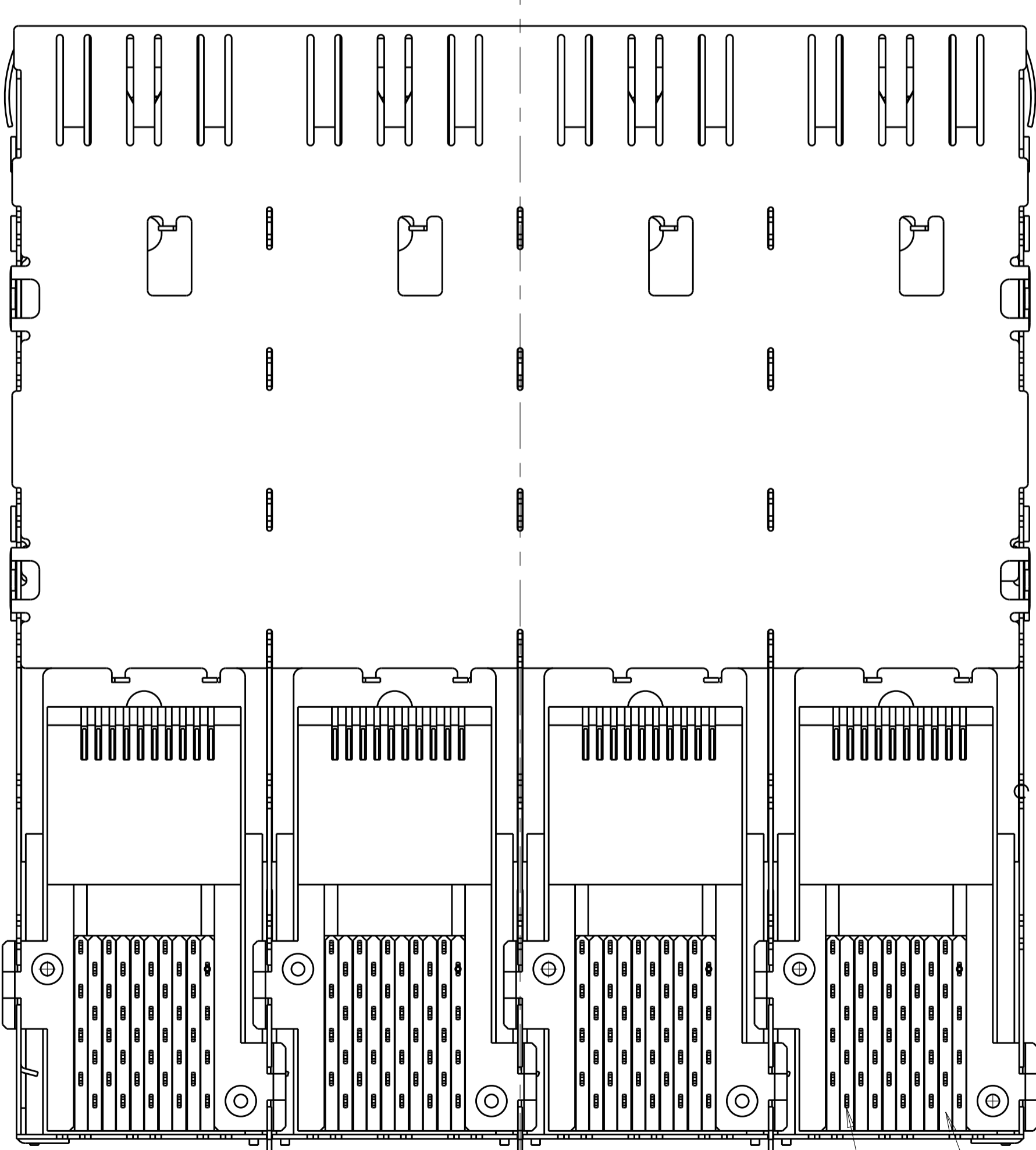
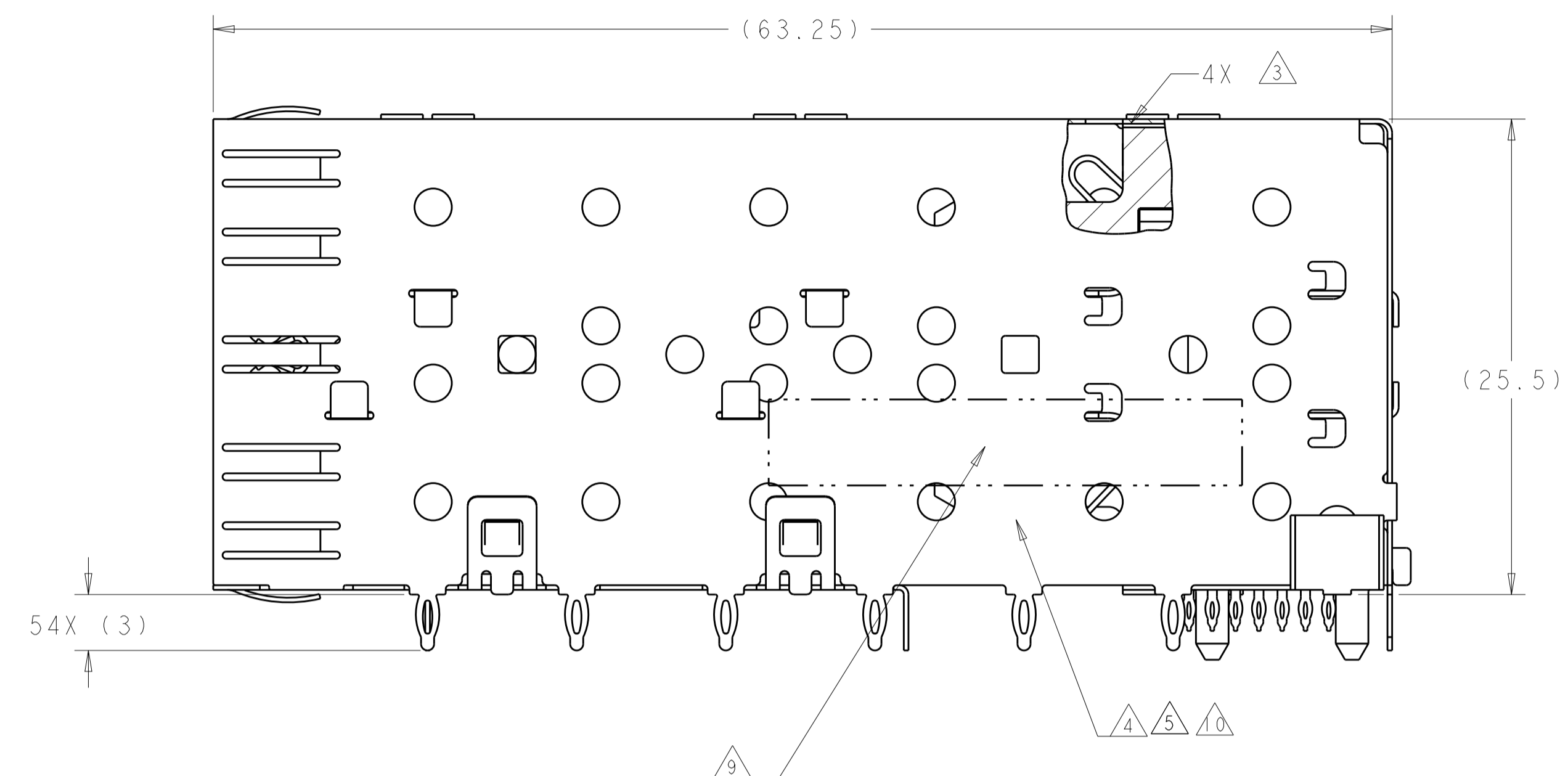
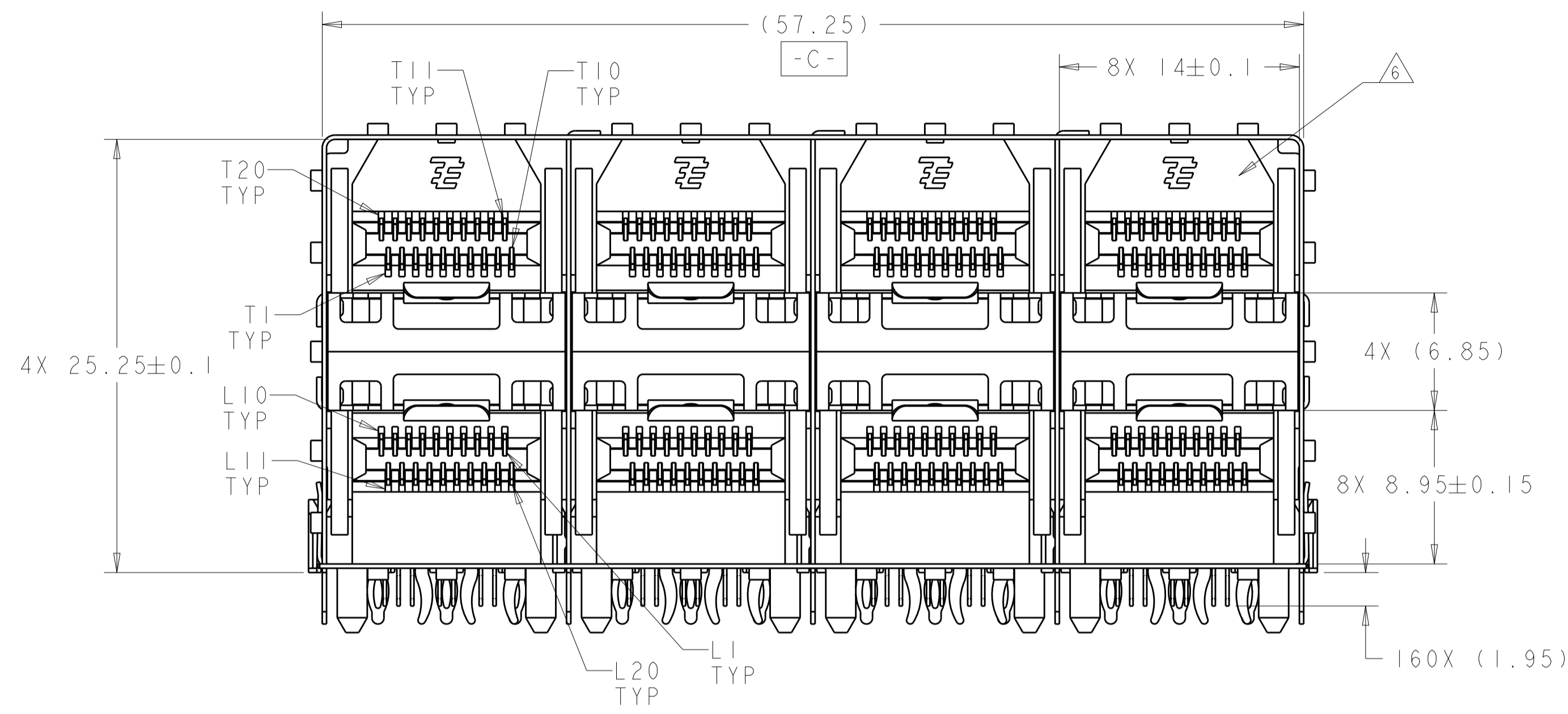
Tel: +86-755-8981 8866 Fax: +86-755-8427 6832

Email & Skype: info@chipsmall.com Web: www.chipsmall.com

Address: A1208, Overseas Decoration Building, #122 Zhenhua RD., Futian, Shenzhen, China



| LOC | DIST | REVISIONS | | | | | |
|-----|------|-----------|-----|---------------------------|-----------|-----|------|
| | | P | LTN | DESCRIPTION | DATE | DWN | APVD |
| ES | 00 | D1 | | REVISED PER ECO-11-005027 | 18MAR2011 | RK | HMR |
| | | F | | REVISED PER ECO-14-000886 | 20FEB2014 | JW | SH |
| | | F1 | | REVISED PER ECO-14-010419 | 11JUL2014 | JW | SH |



1658390-1&2
SCALE 2:1

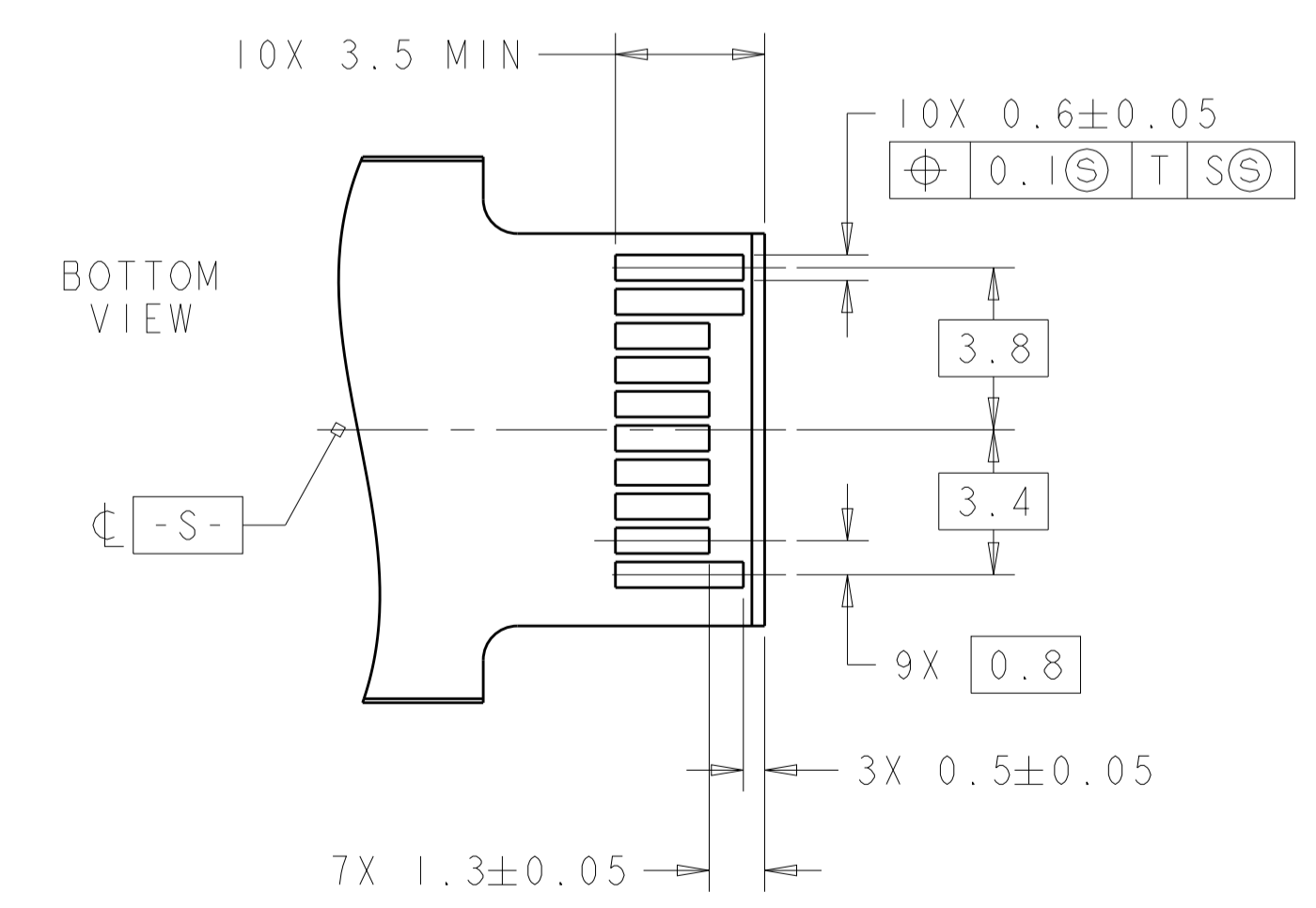
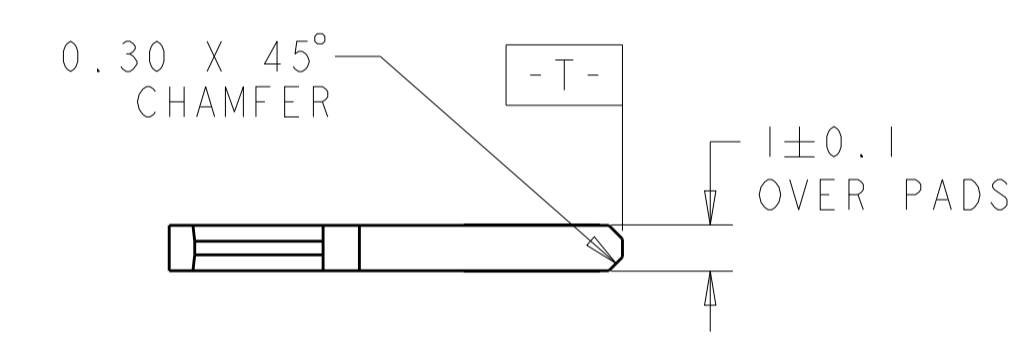
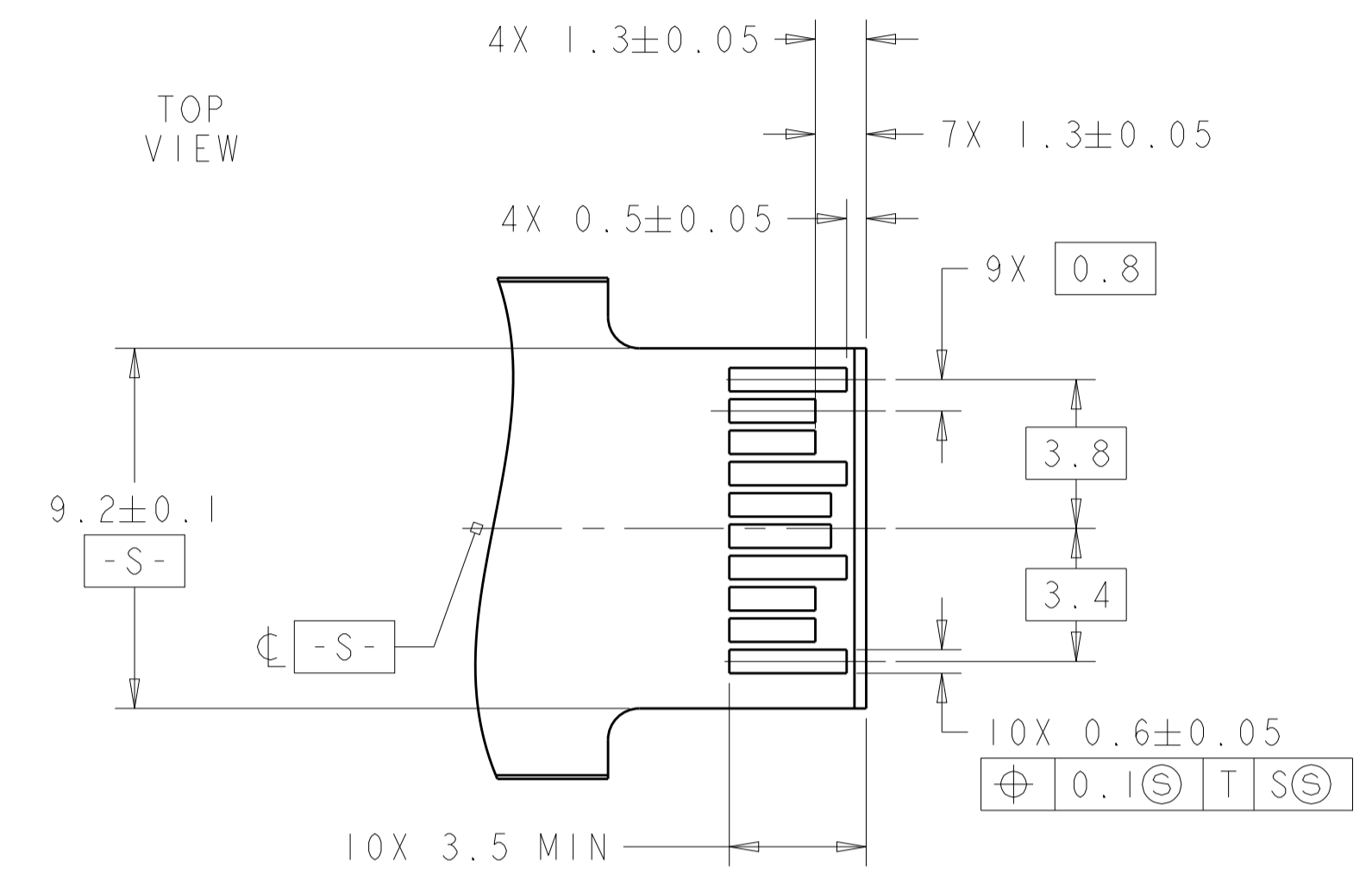
- ① DATUM AND BASIC DIMENSION TO BE DETERMINED BY CUSTOMER.
- ② INTERPRETATION OF DATUM REFERENCE FRAME IN ACCORDANCE WITH SECT 4.4.1.1 OF ASME Y14.5M-1994.
- ③ TOP OF PT CONNECTOR TO BE 0-0.15 FROM INSIDE SURFACE OF CAGE.
- ④ COPPER ALLOY.
- ⑤ 1.25µm MIN TIN PER ASTM B 545 OVER NICKEL FLASH PER QQ-N-290. NON-PLATED EDGES PERMISSIBLE.
- ⑥ LCP, HIGH TEMPERATURE, UL 94V-0 RATED, BLACK.
- ⑦ POLYESTER, UL 94V-0 RATED, BLACK.
- ⑧ CONTACT MATING AREA: SURFACE TREATMENT OVER 0.76µm MIN GOLD PER ASTM B 488 OVER 1.27µm MIN NICKEL PER QQ-N-290. NEEDLE EYE: 1.25µm MIN TIN PER ASTM B 545 OVER 1.27µm MIN NICKEL PER QQ-N-290. REMAINDER OF CONTACT: 0.76µm MIN NICKEL PER QQ-N-290.
- ⑨ DATE CODE AND PART NUMBER IN APPROXIMATE AREA SHOWN.
- Ⓜ NICKEL SILVER ALLOY (NO PLATING)

| DIMENSIONS: | | TOLERANCES UNLESS OTHERWISE SPECIFIED: | | MATERIAL: | |
|-------------|--------|--|--|-----------|--|
| mm | 0 PLC | ± | | | |
| | 1 PLC | ±0.1 | | | |
| | 2 PLC | ±0.1 | | | |
| | 3 PLC | ± | | | |
| | 4 PLC | ± | | | |
| | ANGLES | ± | | | |
| | FINISH | | | | |

| | | | | |
|------------------|--------------------|-------------|---------------|-------------|
| CONNECTOR FINISH | CONNECTOR MATERIAL | CAGE FINISH | CAGE MATERIAL | PART NUMBER |
| ⑧ | ④ ⑦ | NO | ① | 1658390-2 |
| ⑧ | ④ ⑦ | ⑤ | ④ | 1658390-1 |

| | | | |
|--|------------------------|-------------------------------|---|
| THIS DRAWING IS A CONTROLLED DOCUMENT. | DWN: M. COWHER 24MAR03 | APVD: J. KOPPENHEFFER 23JAN04 | NAME: PT CONNECTOR AND CAGE ASSEMBLY, 2x4, PRESS FIT, STANDARD PROFILE, SFP |
| CHG: M. WALMSLEY 23JAN03 | PRODUCT SPEC: 108-2161 | APPLICATION SPEC: 114-13103 | SIZE: A1 |
| WEIGHT: - | CAGE CODE: - | DRAWING NO: 1658390 | RESTRICTED TO: - |
| CUSTOMER DRAWING | SCALE: 4:1 | SHEET: 1 OF 3 | REV: F1 |

| LOC | DIST | REVISIONS | | | |
|-----|------|-------------|------|----|------|
| ES | 00 | REV | DATE | BY | APPV |
| - | - | SEE SHEET 1 | - | - | - |
| | | | | | |
| | | | | | |



RECOMMENDED LAYOUT FOR
 MATING TRANSCEIVER PCB
 SCALE 6:1

| | | | |
|--|------------|------------------------------|---|
| THIS DRAWING IS A CONTROLLED DOCUMENT. | | OWN: M. COWHER 24MAR03 | TE Connectivity |
| DIMENSIONS: mm | | CHK: J. KOPPENHEFFER 23JAN04 | |
| TOLERANCES UNLESS OTHERWISE SPECIFIED: | | APV: M. WALMSLEY 23JAN03 | NAME: PT CONNECTOR AND CAGE ASSEMBLY, 2x4, PRESS FIT, STANDARD PROFILE, SFP |
| 0 PLC ± | 1 PLC ±0.1 | PRODUCT SPEC: 108-2161 | SIZE: A1 |
| 2 PLC ± | 3 PLC ± | APPLICATION SPEC: 114-13103 | CAGE CODE: 1658390 |
| 4 PLC ± | ANGLES ± | WEIGHT: - | RESTRICTED TO: - |
| MATERIAL: - | FINISH: - | CUSTOMER DRAWING | SCALE: 1:1 SHEET 3 OF 3 REV: F1 |