



Chipsmall Limited consists of a professional team with an average of over 10 year of expertise in the distribution of electronic components. Based in Hongkong, we have already established firm and mutual-benefit business relationships with customers from,Europe,America and south Asia,supplying obsolete and hard-to-find components to meet their specific needs.

With the principle of “Quality Parts,Customers Priority,Honest Operation,and Considerate Service”,our business mainly focus on the distribution of electronic components. Line cards we deal with include Microchip,ALPS,ROHM,Xilinx,Pulse,ON,Everlight and Freescale. Main products comprise IC,Modules,Potentiometer,IC Socket,Relay,Connector.Our parts cover such applications as commercial,industrial, and automotives areas.

We are looking forward to setting up business relationship with you and hope to provide you with the best service and solution. Let us make a better world for our industry!



## Contact us

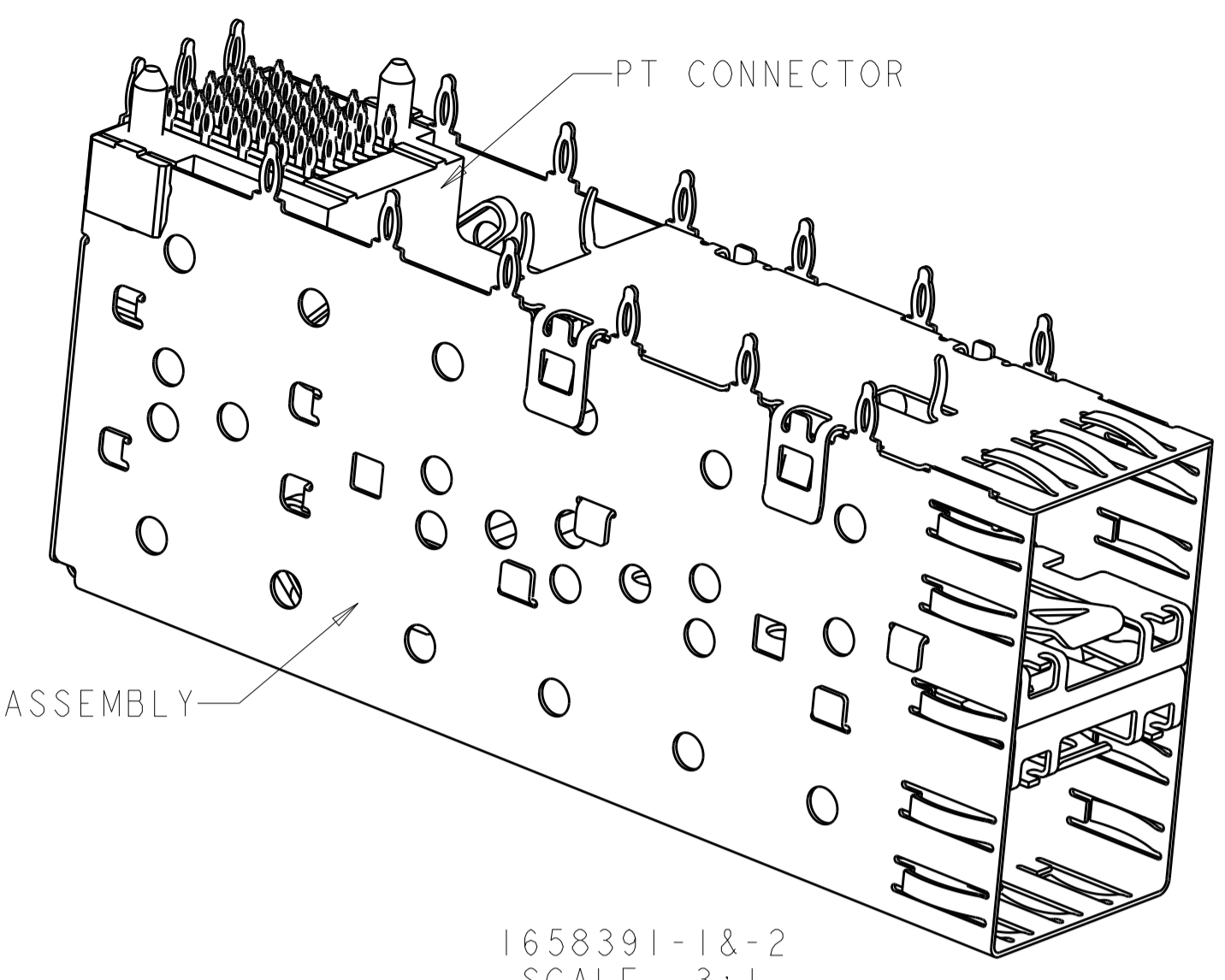
Tel: +86-755-8981 8866 Fax: +86-755-8427 6832

Email & Skype: info@chipsmall.com Web: www.chipsmall.com

Address: A1208, Overseas Decoration Building, #122 Zhenhua RD., Futian, Shenzhen, China

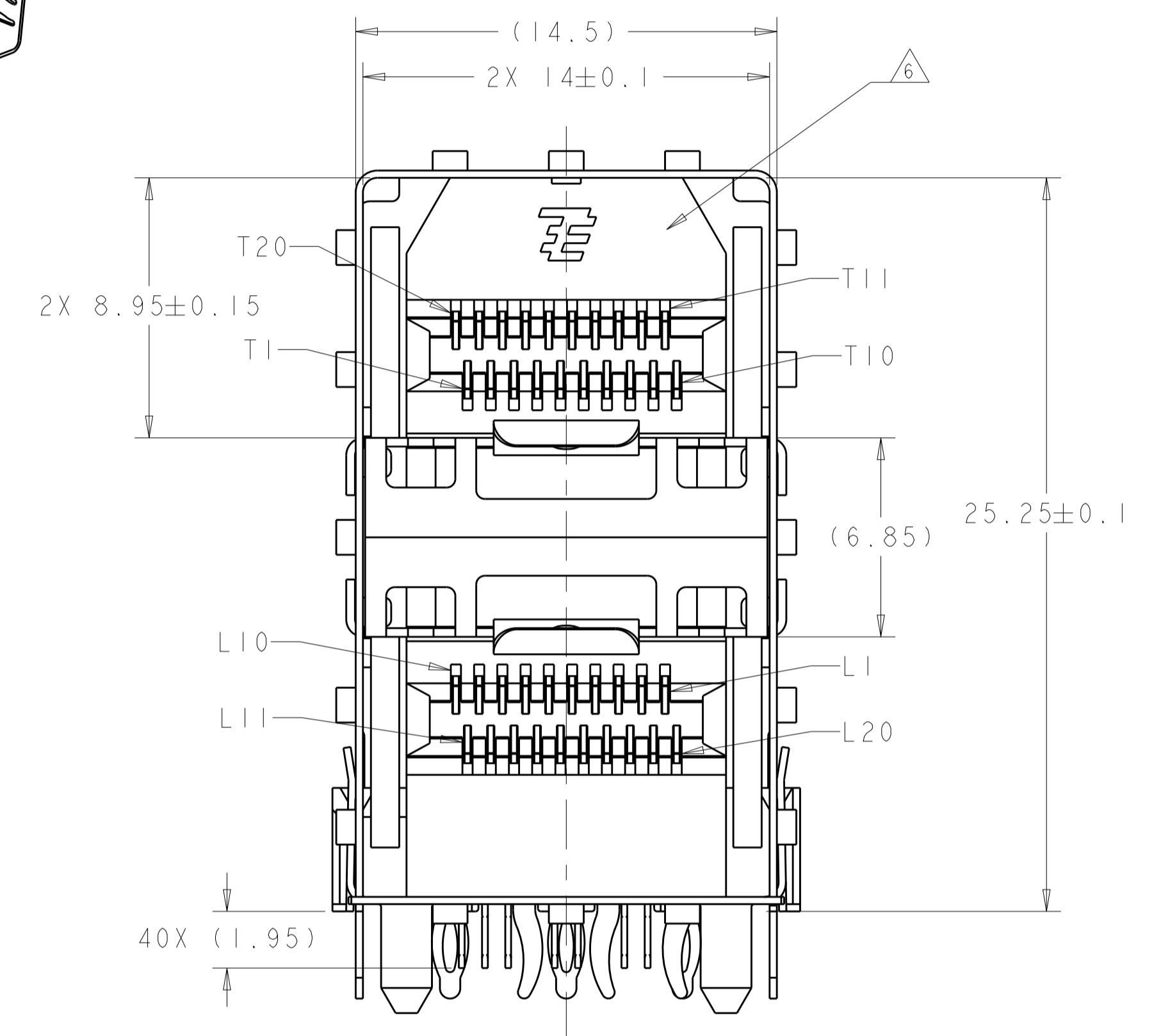
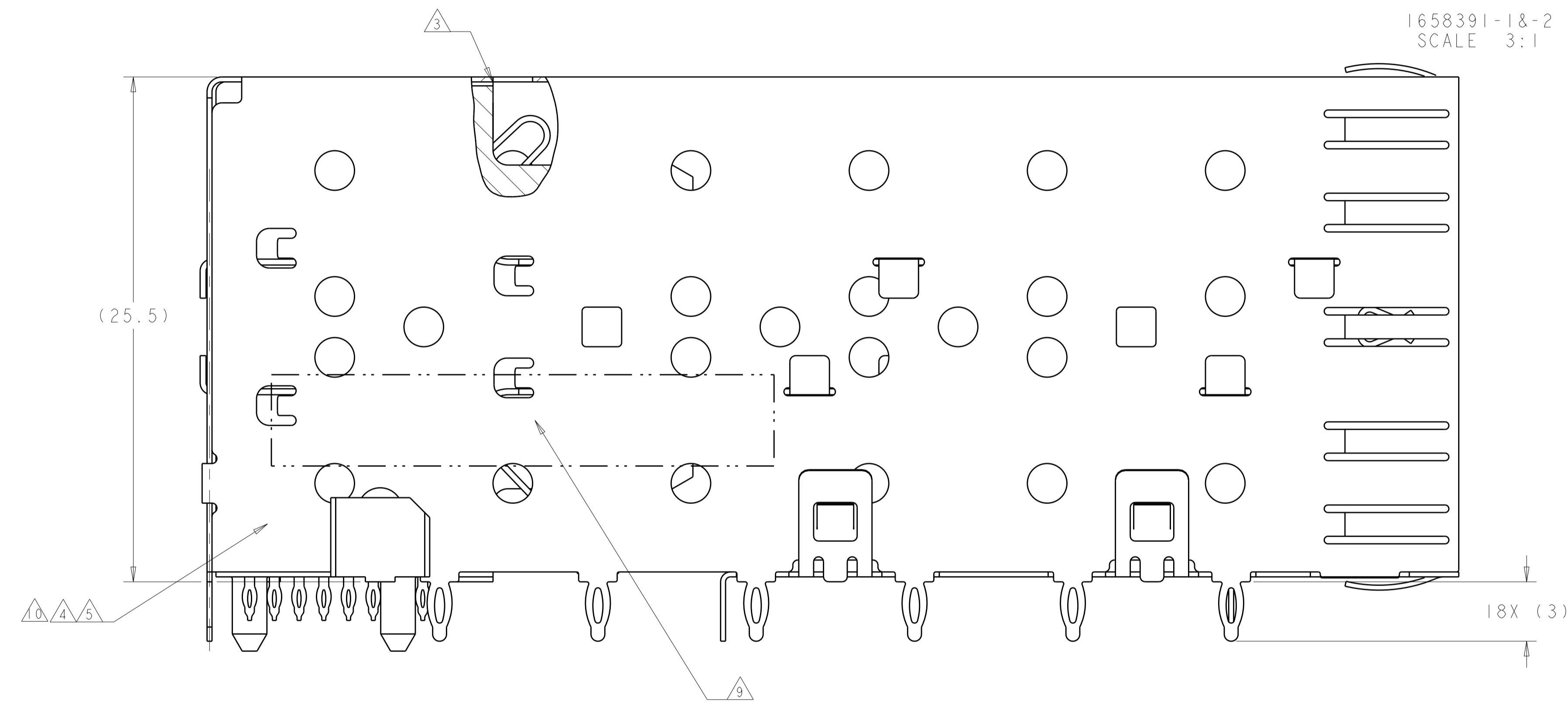


LOC	DIST	REVISIONS					
		P	LTN	DESCRIPTION	DATE	DWN	APVD
ES	00	F1		REVISED PER ECO-11-005033	18MAR2011	RK	HMR
		G		REVISED PER ECO-14-000886	20FEB2014	JW	SH
		G1		REVISED PER ECO-14-010419	11JUL2014	JW	SH

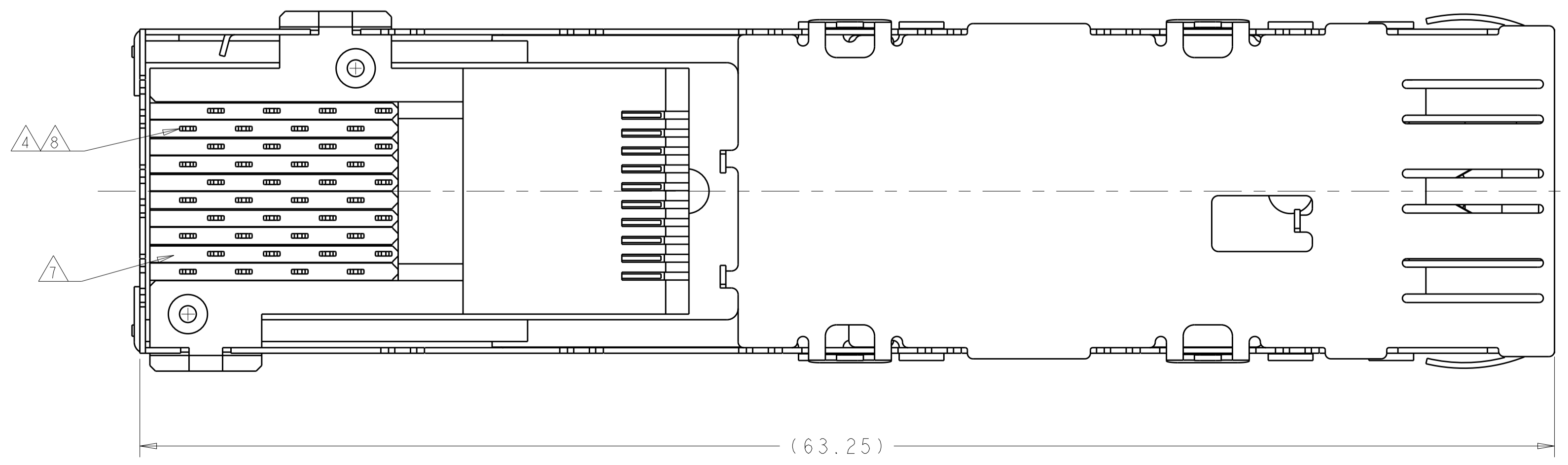


2X1 CAGE ASSEMBLY

1658391-1&2  
SCALE 3:1



- △1 DATUM AND BASIC DIMENSION TO BE DETERMINED BY CUSTOMER.
- △2 INTERPRETATION OF DATUM REFERENCE FRAME IN ACCORDANCE WITH SECT 4.4.1.1 OF ASME Y14.5M-1994.
- △3 TOP OF PT CONNECTOR TO BE 0-0.15 FROM INSIDE SURFACE OF CAGE.
- △4 COPPER ALLOY.
- △5 1.25umMIN TIN PER ASTM B 545 OVER NICKEL FLASH PER QQ-N-290. NON-PLATED EDGES PERMISSIBLE.
- △6 LCP, HIGH TEMPERATURE, UL 94V-0 RATED, BLACK.
- △7 POLYESTER, UL 94V-0 RATED, BLACK.
- △8 CONTACT MATING AREA: SURFACE TREATMENT OVER 0.76um MIN GOLD PER ASTM B 488 OVER 1.27um MIN NICKEL PER QQ-N-290. NEEDLE EYE: 1.25um MIN TIN PER ASTM B 545 OVER 1.27um MIN NICKEL PER QQ-N-290. REMAINDER OF CONTACT: 0.76um MIN NICKEL PER QQ-N-290.
- △9 DATE CODE AND PART NUMBER IN APPROXIMATE AREA SHOWN.
- △10 MATERIAL: NICKEL SILVER ALLOY(NO PLATING)

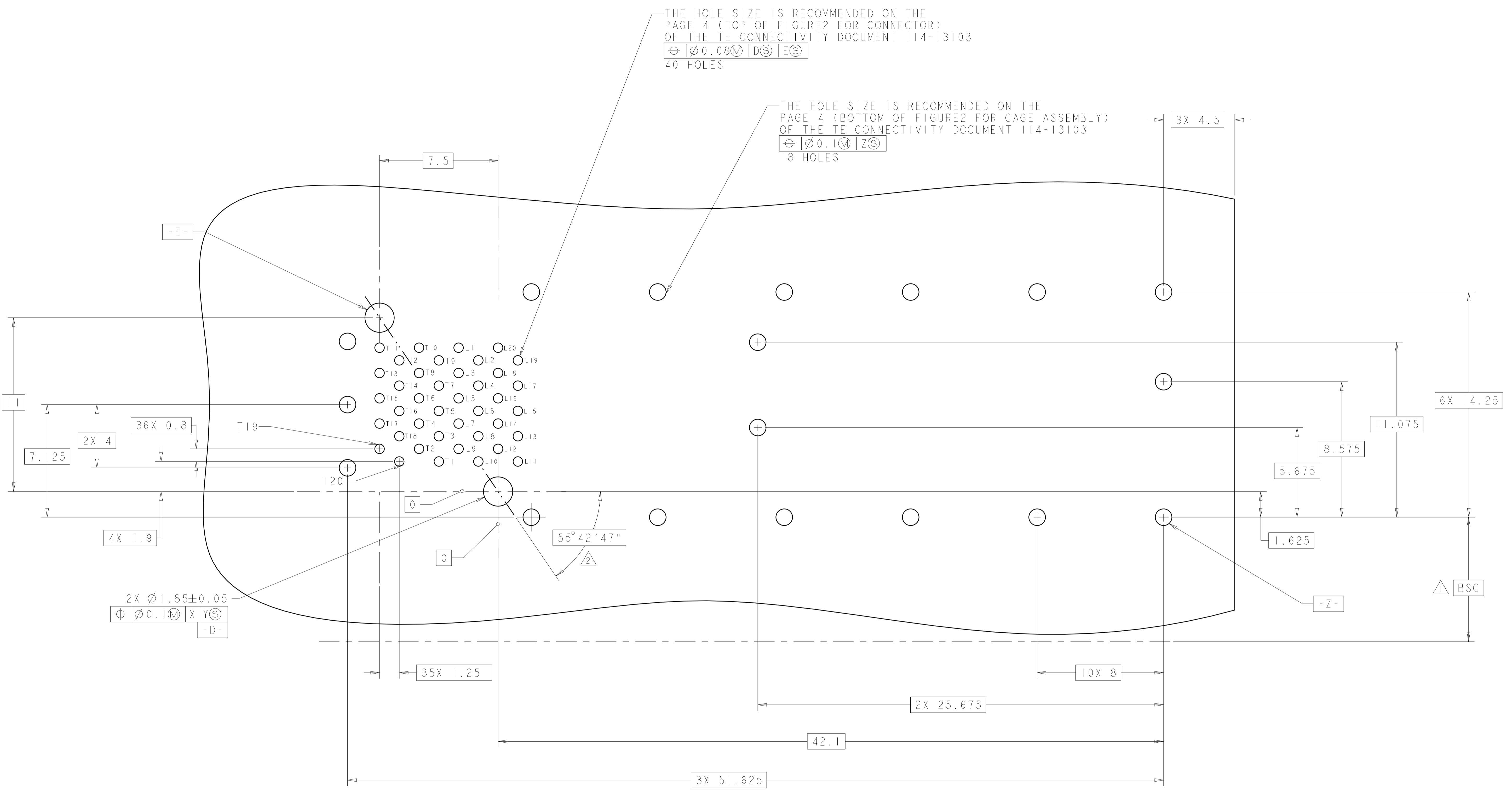


THIS DRAWING IS A CONTROLLED DOCUMENT.		DWN	25MAR03	NO	△10	1658391-2
DIMENSIONS:		CHK	23JAN04	CONNECTOR FINISH	△4	1658391-1
mm	0 PLC ±	APVD	23JAN04	CONNECTOR MATERIAL	△4	PART NUMBER
	2 PLC ±0.1	M. WALMSLEY		CAGE FINISH	△5	
	3 PLC ±	J. KOPPENHEFFER		CAGE MATERIAL	△4	
	4 PLC ±	M. WALMSLEY				
	ANGLES ±	PRODUCT SPEC				
	FINISH ±	108-2161				
MATERIAL		APPLICATION SPEC				
		114-13103				
		WEIGHT				
		CUSTOMER DRAWING				

LOC		DIST		REVISIONS				
ES	00	P	LTN	DESCRIPTION	DATE	DMN	APVD	
		-		SEE SHEET 1				

THE HOLE SIZE IS RECOMMENDED ON THE PAGE 4 (TOP OF FIGURE2 FOR CONNECTOR) OF THE TE CONNECTIVITY DOCUMENT 114-13103  
 $\oplus \varnothing 0.08 \text{ M} | \text{DS} | \text{ES}$   
 40 HOLES

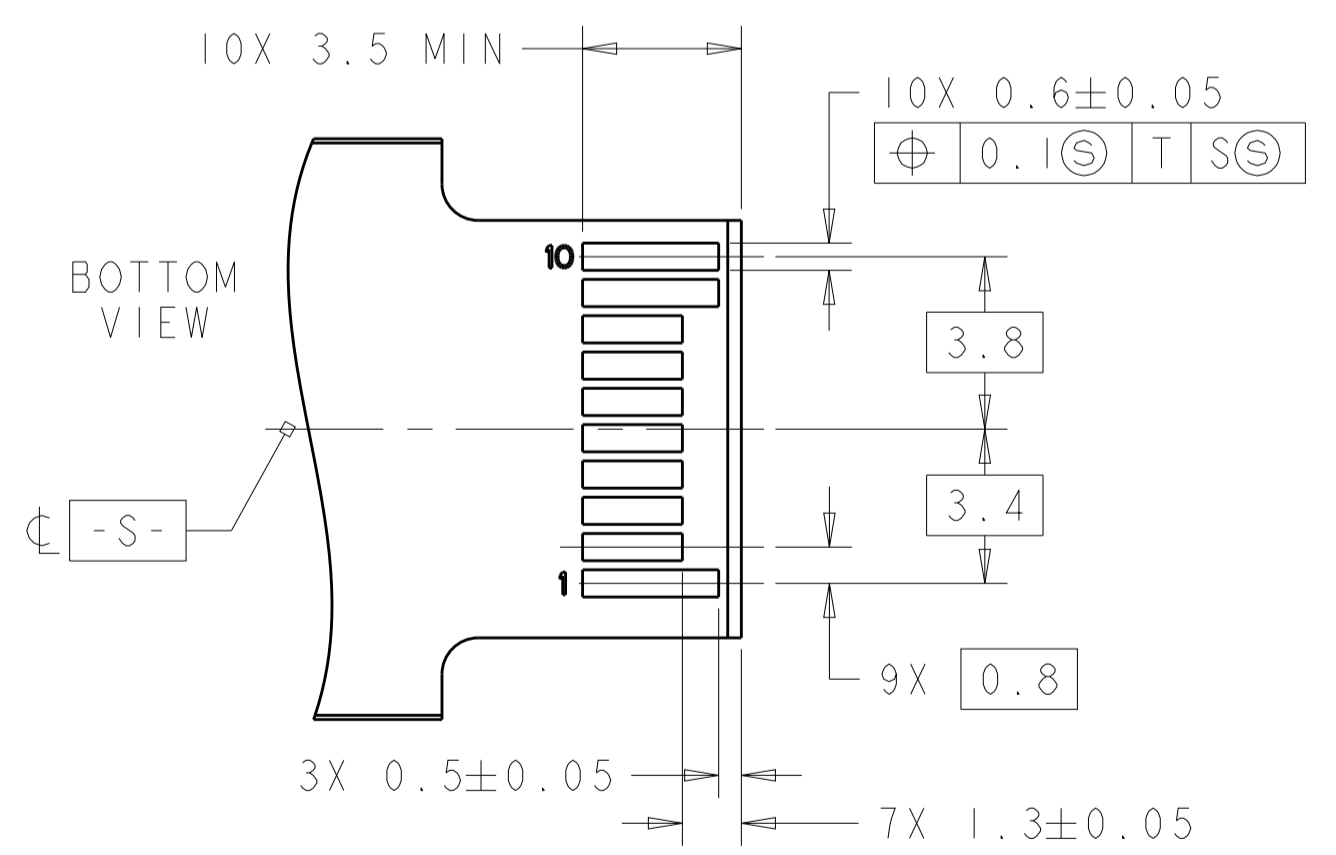
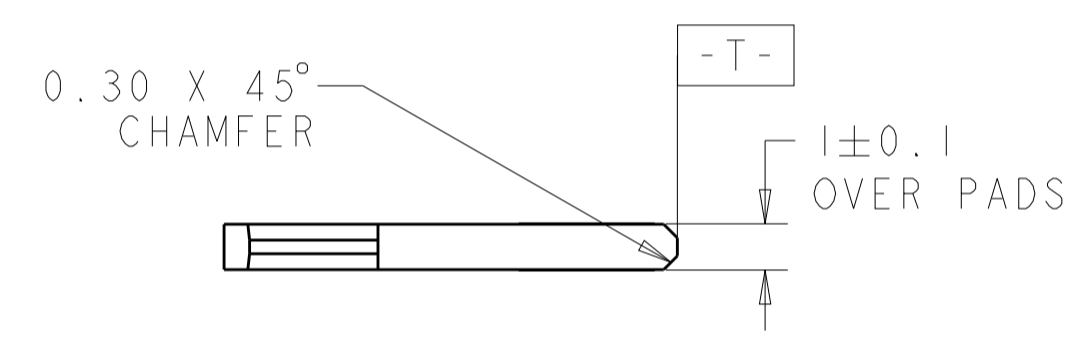
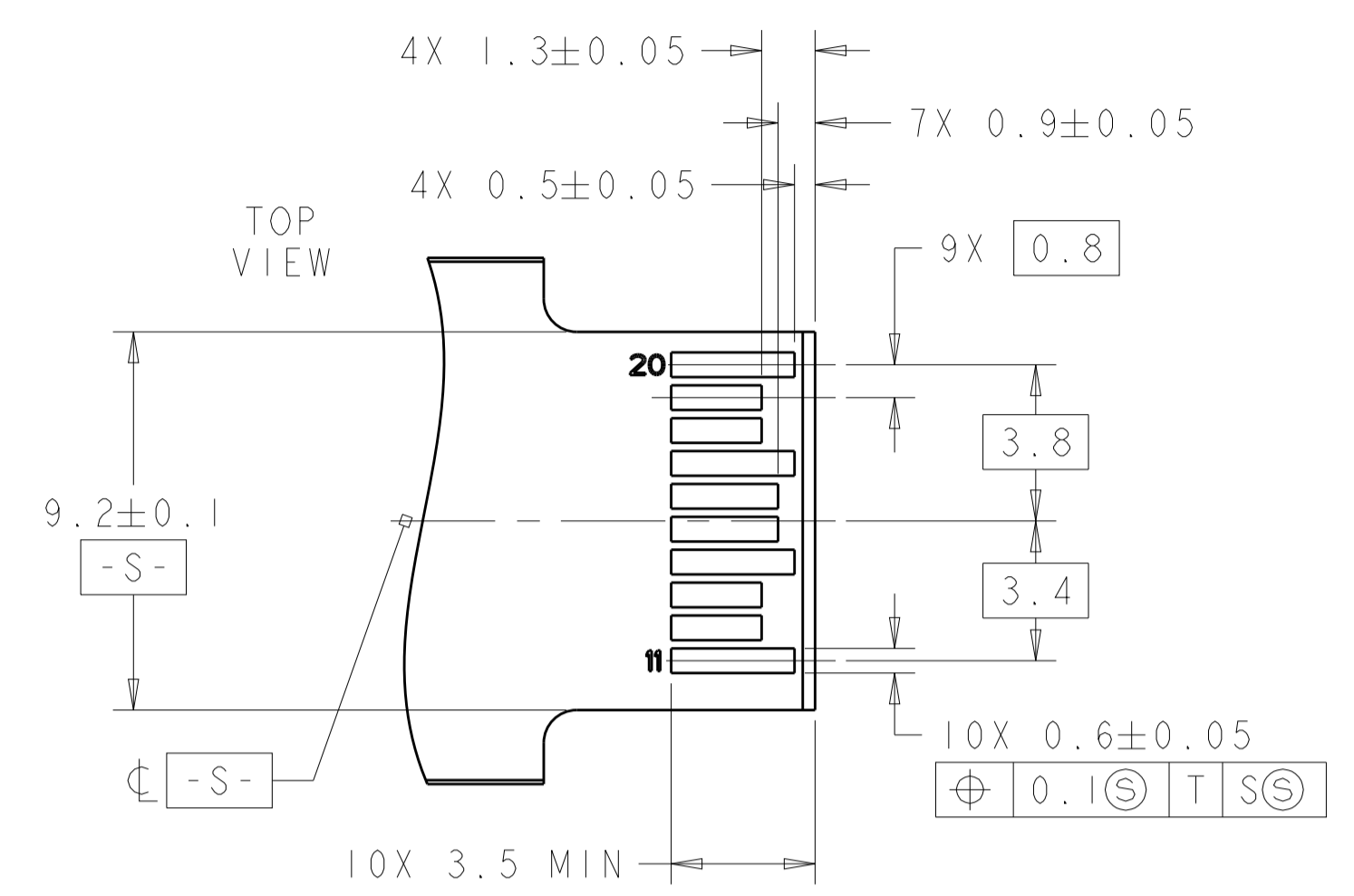
THE HOLE SIZE IS RECOMMENDED ON THE PAGE 4 (BOTTOM OF FIGURE2 FOR CAGE ASSEMBLY) OF THE TE CONNECTIVITY DOCUMENT 114-13103  
 $\oplus \varnothing 0.1 \text{ M} | \text{ZS}$   
 18 HOLES




SFP HOST BOARD  
 MECHANICAL LAYOUT  
 SCALE 8:1

THIS DRAWING IS A CONTROLLED DOCUMENT.		DMN: M. COWHER 25MAR03	TE Connectivity
DIMENSIONS: mm		CHK: J. KOPPENHEFFER 23JAN04	
TOLERANCES UNLESS OTHERWISE SPECIFIED:		APVD: M. WALMSLEY 23JAN04	NAME: CAGE AND PT CONNECTOR ASSEMBLY, 2x1, PRESS FIT, STANDARD PROFILE, SFP PRODUCT SPEC: 108-2161 APPLICATION SPEC: 114-13103
0 PLC ± 1 PLC ±0.1 2 PLC ± 3 PLC ± 4 PLC ± ANGLES ±		SIZE: A100779 CAGE CODE: C=1658391 DRAWING NO: 114-13103	
MATERIAL: FINISH:		WEIGHT: CUSTOMER DRAWING	RESTRICTED TO: SCALE 6:1 SHEET 2 OF 3 REV G1

LOC		DIST		REVISIONS			
P	LTN	DESCRIPTION	DATE	DWN	APVD		
-	-	SEE SHEET 1	-	-	-		



RECOMMENDED LAYOUT FOR  
 MATING TRANSCEIVER PCB  
 SCALE 6:1

THIS DRAWING IS A CONTROLLED DOCUMENT.		DWN M. COWHER	25MAR03	 TE Connectivity
DIMENSIONS:		CHK J. KOPPENHEFFER	23JAN04	
mm	TOLERANCES UNLESS OTHERWISE SPECIFIED:	APVD M. WALMSLEY	23JAN04	NAME CAGE AND PT CONNECTOR ASSEMBLY, 2x1, PRESS FIT, STANDARD PROFILE, SFP
0 PLC ±	1 PLC ±	PRODUCT SPEC	108-2161	
2 PLC ±0.1	3 PLC ±	APPLICATION SPEC	114-13103	SIZE CAGE CODE DRAWING NO
4 PLC ±	ANGLES ±	FINISH	WEIGHT	A100779C=1658391
MATERIAL				RESTRICTED TO
				CUSTOMER DRAWING
				SCALE 1:1 SHEET 3 OF 3 REV G1