



Chipsmall Limited consists of a professional team with an average of over 10 year of expertise in the distribution of electronic components. Based in Hongkong, we have already established firm and mutual-benefit business relationships with customers from,Europe,America and south Asia,supplying obsolete and hard-to-find components to meet their specific needs.

With the principle of “Quality Parts,Customers Priority,Honest Operation,and Considerate Service”,our business mainly focus on the distribution of electronic components. Line cards we deal with include Microchip,ALPS,ROHM,Xilinx,Pulse,ON,Everlight and Freescale. Main products comprise IC,Modules,Potentiometer,IC Socket,Relay,Connector.Our parts cover such applications as commercial,industrial, and automotives areas.

We are looking forward to setting up business relationship with you and hope to provide you with the best service and solution. Let us make a better world for our industry!



Contact us

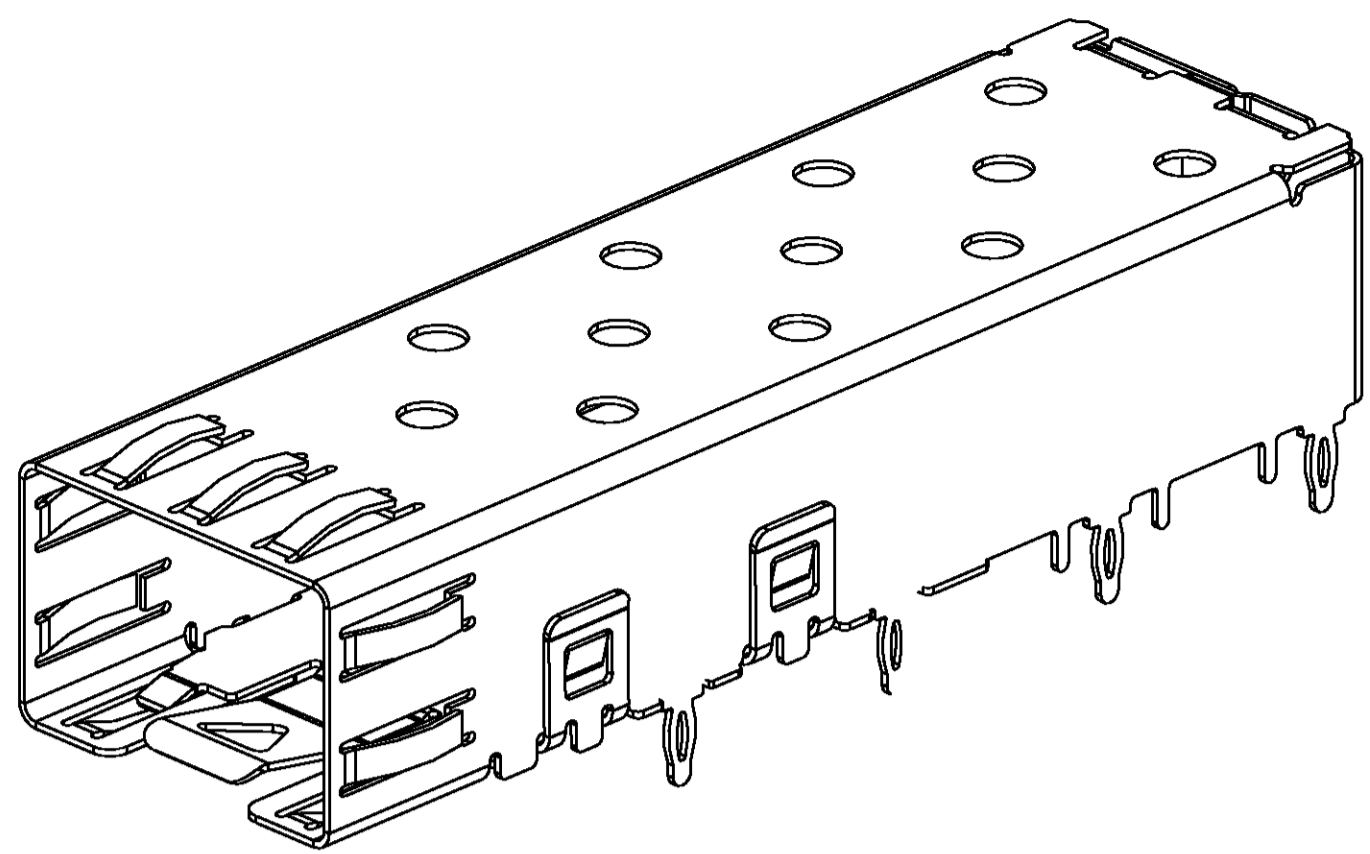
Tel: +86-755-8981 8866 Fax: +86-755-8427 6832

Email & Skype: info@chipsmall.com Web: www.chipsmall.com

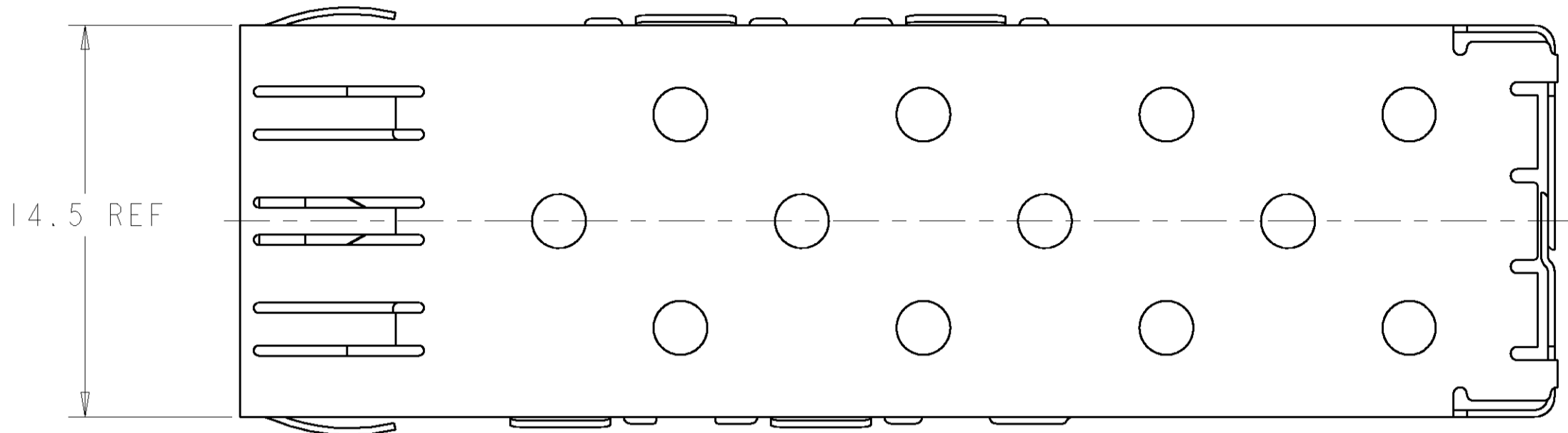
Address: A1208, Overseas Decoration Building, #122 Zhenhua RD., Futian, Shenzhen, China



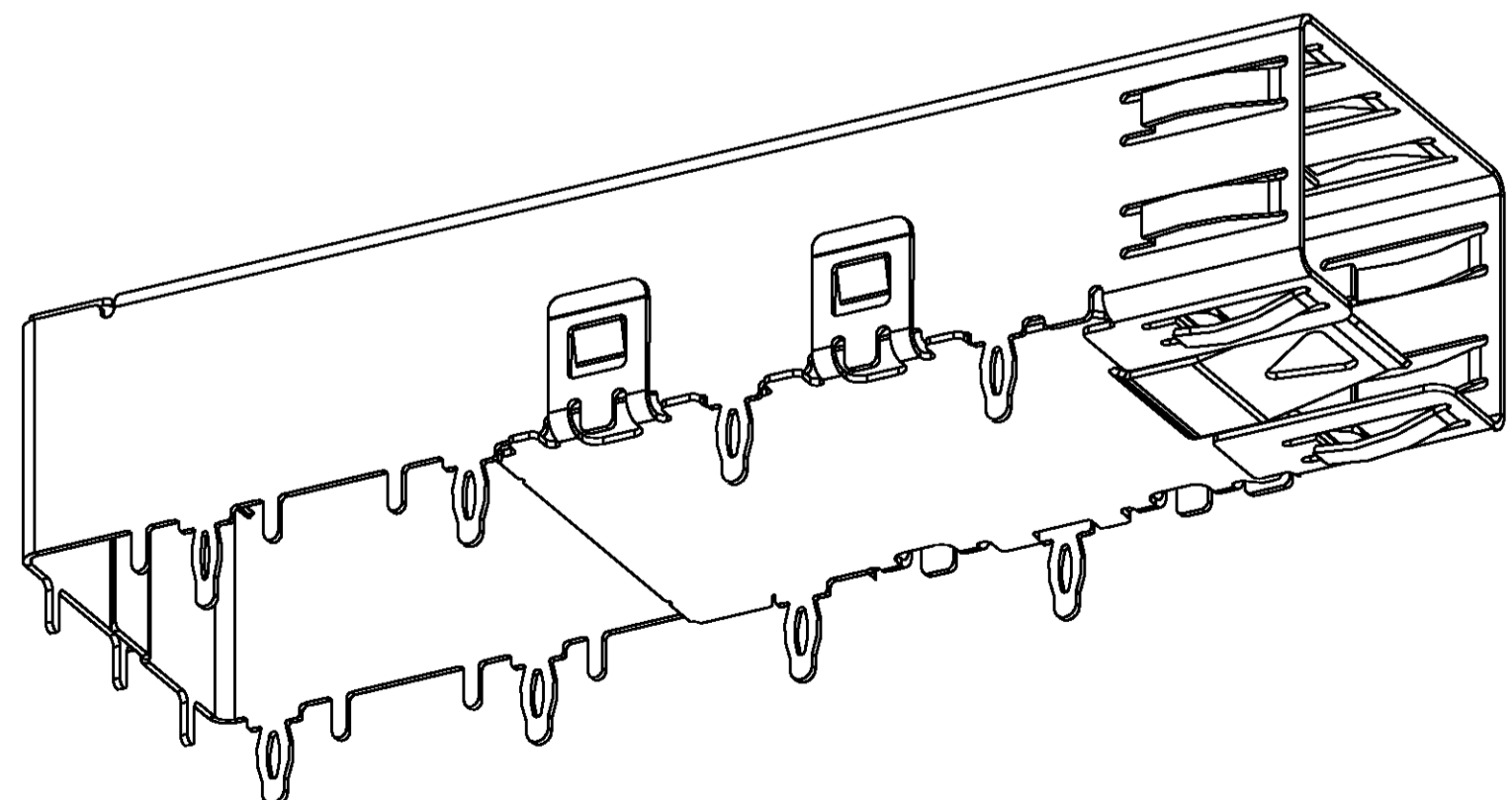
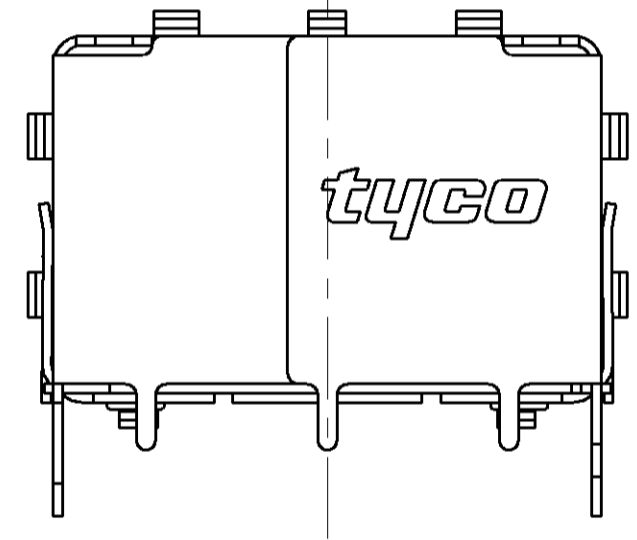
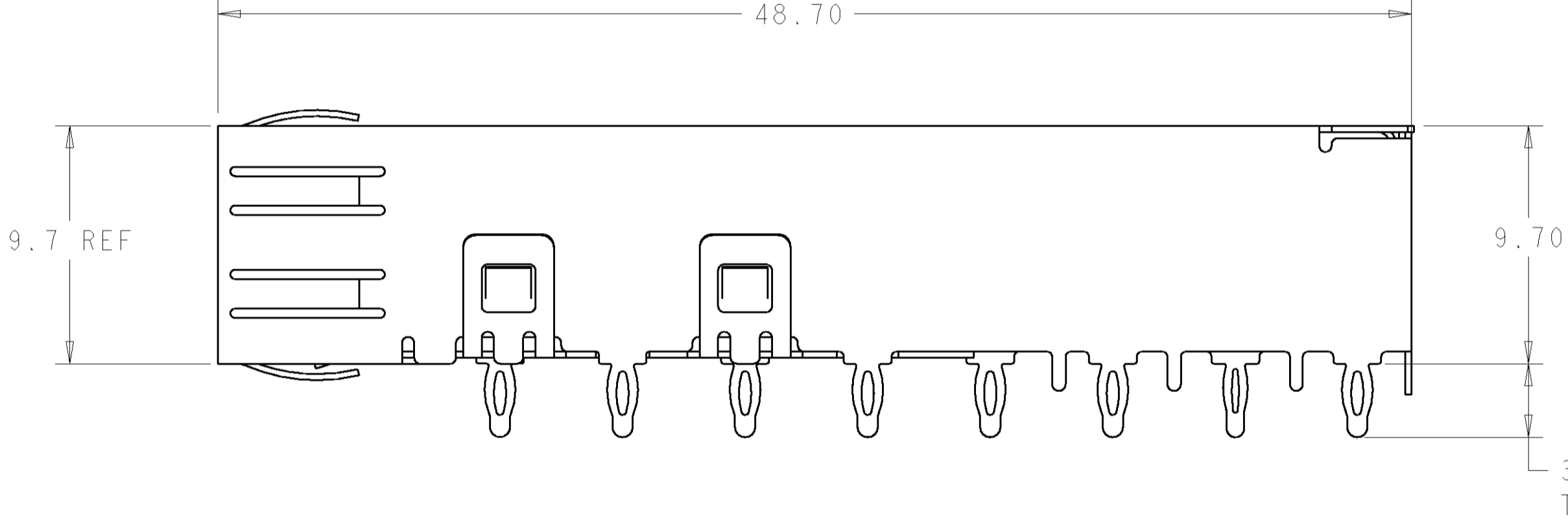
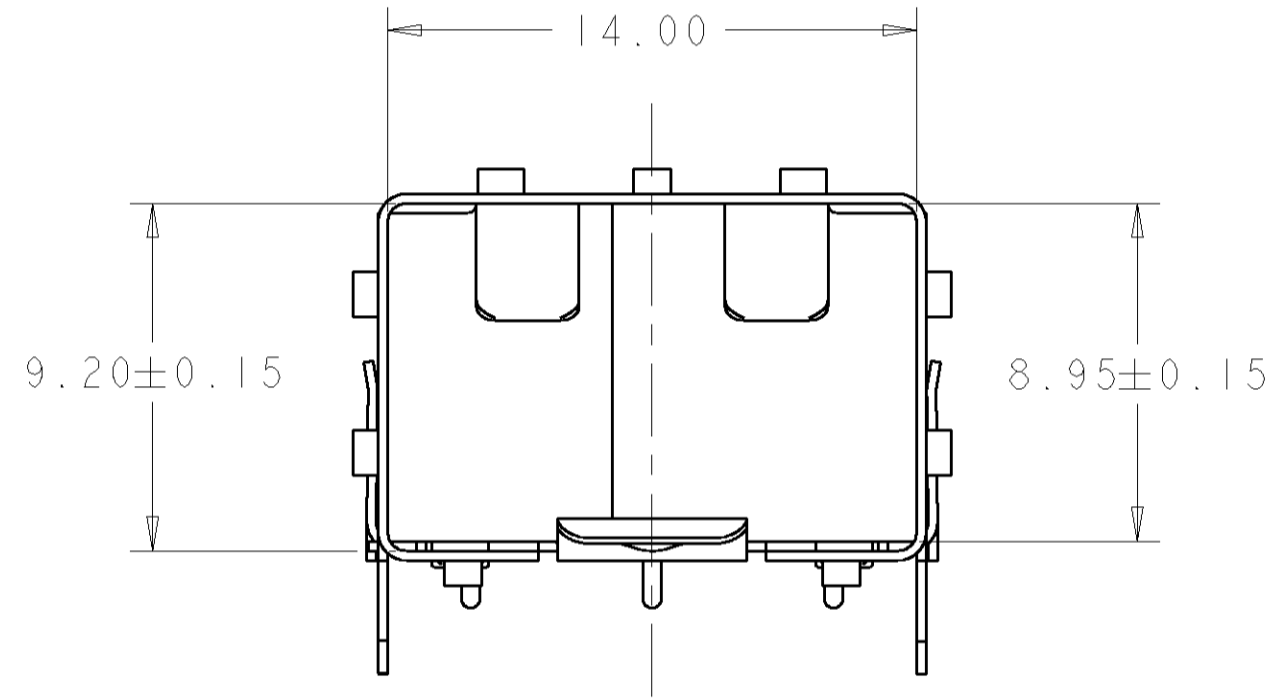
LOC		DIST		REVISIONS			
P	LTR	DESCRIPTION	DATE	DWN	APVD		
B		REVISED PER EC 0513-0662-04	07FEB05	JG	PD		
B1		REVISED PER ECO-05-016691	24FEB06	BM	SS		



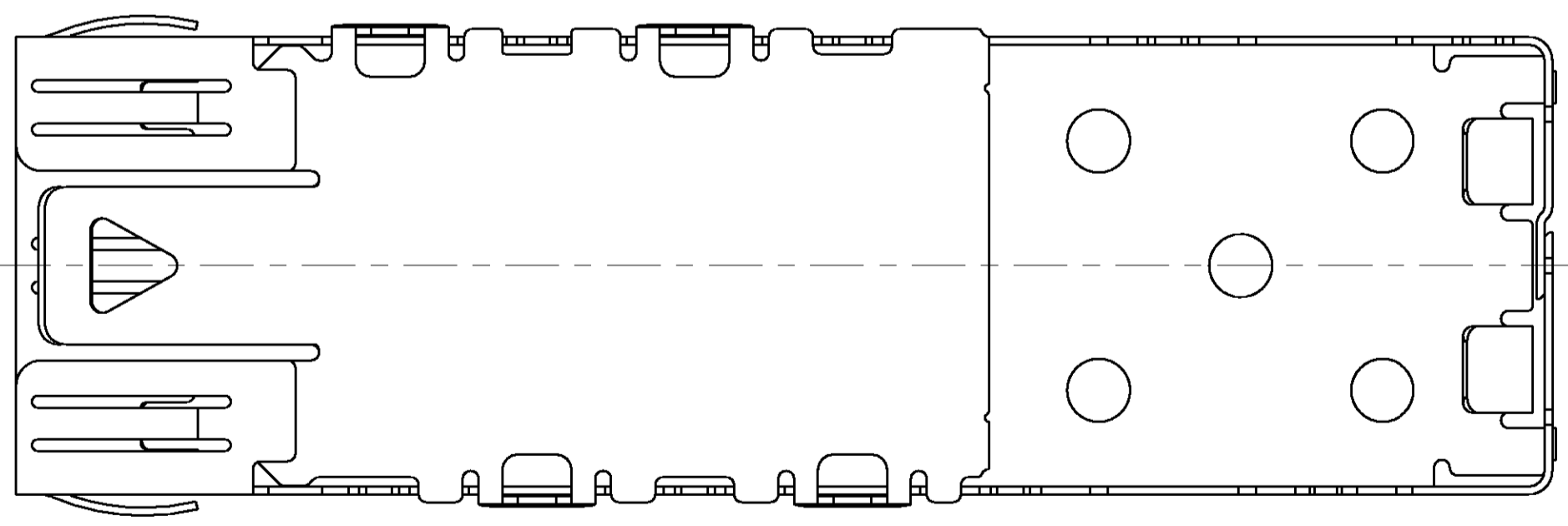
SCALE 4:1



- △ 0.25 THICK COPPER ALLOY.
- △ TIN. NONPLATED EDGES PERMISSIBLE.
- 3. SFP MSA COMPATIBLE.
- △ PADS AND VIAS CHASSIS GROUND.
- △ DATUM AND BASIC DIMENSION ESTABLISHED BY CUSTOMER.
- 6. MINIMUM PC BOARD THICKNESS:
 SINGLE SIDED= 1.45
 DOUBLE SIDED= 3.00



SCALE 4:1

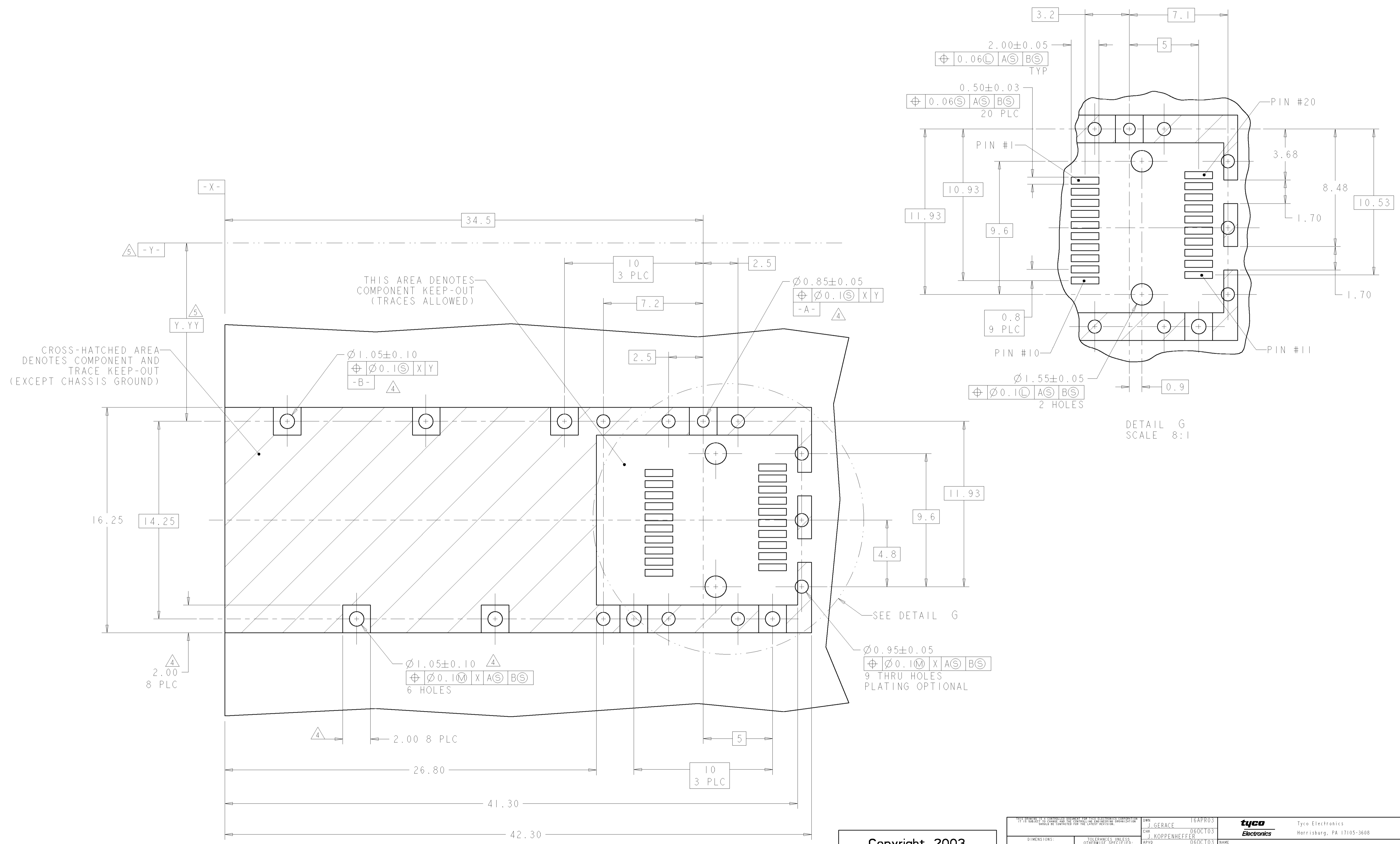


1658524-1
 PART NUMBER

Copyright 2003
 Tyco Electronics Corp
 All Rights Reserved

DIMENSIONS: mm 		TOLERANCES UNLESS OTHERWISE SPECIFIED: 0 PLC ± 1 PLC ±0.10 2 PLC ± 3 PLC ± 4 PLC ± ANGLES ± FINISH		DWN J. GERACE 16APR03 CDR J. KOPPENHEFFER 06OCT03 APVD M. WALMSLEY 06OCT03 PRODUCT SPEC 108-1950 APPLICATION SPEC 114-13120 WEIGHT - CUSTOMER DRAWING		Tyco Electronics Harrisburg, PA 17105-3608 NAME CAGE ASSEMBLY, 8 PRESS FIT, SFP SIZE CAGE CODE DRAWING NO. RESTRICTED TO A100779C=1658524 SCALE 5:1 SHEET 1 OF 2 REV B1	
-----------------------	--	---	--	---	--	--	--

LOC	DIST	P	LTR	DESCRIPTION	DATE	DRN	APVD
GP	00	-	-	SEE SHEET 1	-	-	-



CROSS-HATCHED AREA DENOTES COMPONENT AND TRACE KEEP-OUT (EXCEPT CHASSIS GROUND)

THIS AREA DENOTES COMPONENT KEEP-OUT (TRACES ALLOWED)

DETAIL G SCALE 8:1

RECOMMENDED PCB LAYOUT SCALE 8:1

Copyright 2003 Tyco Electronics Corp All Rights Reserved

DIMENSIONS: mm 		TOLERANCES UNLESS OTHERWISE SPECIFIED: 0 PLC ± 1 PLC ±0.10 2 PLC ± 3 PLC ± 4 PLC ± ANGLES ±		DWN J. GERACE 16APR03 ENR J. KOPPENHEFFER 06OCT03 APVD M. WALMSLEY 06OCT03 NAME PRODUCT SPEC 108-1950 APPLICATION SPEC 114-13120 WEIGHT FINISH		tyco Tyco Electronics Harrisburg, PA 17105-3608 CAGE ASSEMBLY, 8 PRESS FIT, SFP SIZE CAGE CODE DRAWING NO RESTRICTED TO A100779C=1658524 SCALE 5:1 SHEET 2 OF 2 REV B1	
--------------------	--	---	--	---	--	--	--