



Chipsmall Limited consists of a professional team with an average of over 10 year of expertise in the distribution of electronic components. Based in Hongkong, we have already established firm and mutual-benefit business relationships with customers from,Europe,America and south Asia,supplying obsolete and hard-to-find components to meet their specific needs.

With the principle of “Quality Parts,Customers Priority,Honest Operation,and Considerate Service”,our business mainly focus on the distribution of electronic components. Line cards we deal with include Microchip,ALPS,ROHM,Xilinx,Pulse,ON,Everlight and Freescale. Main products comprise IC,Modules,Potentiometer,IC Socket,Relay,Connector.Our parts cover such applications as commercial,industrial, and automotives areas.

We are looking forward to setting up business relationship with you and hope to provide you with the best service and solution. Let us make a better world for our industry!



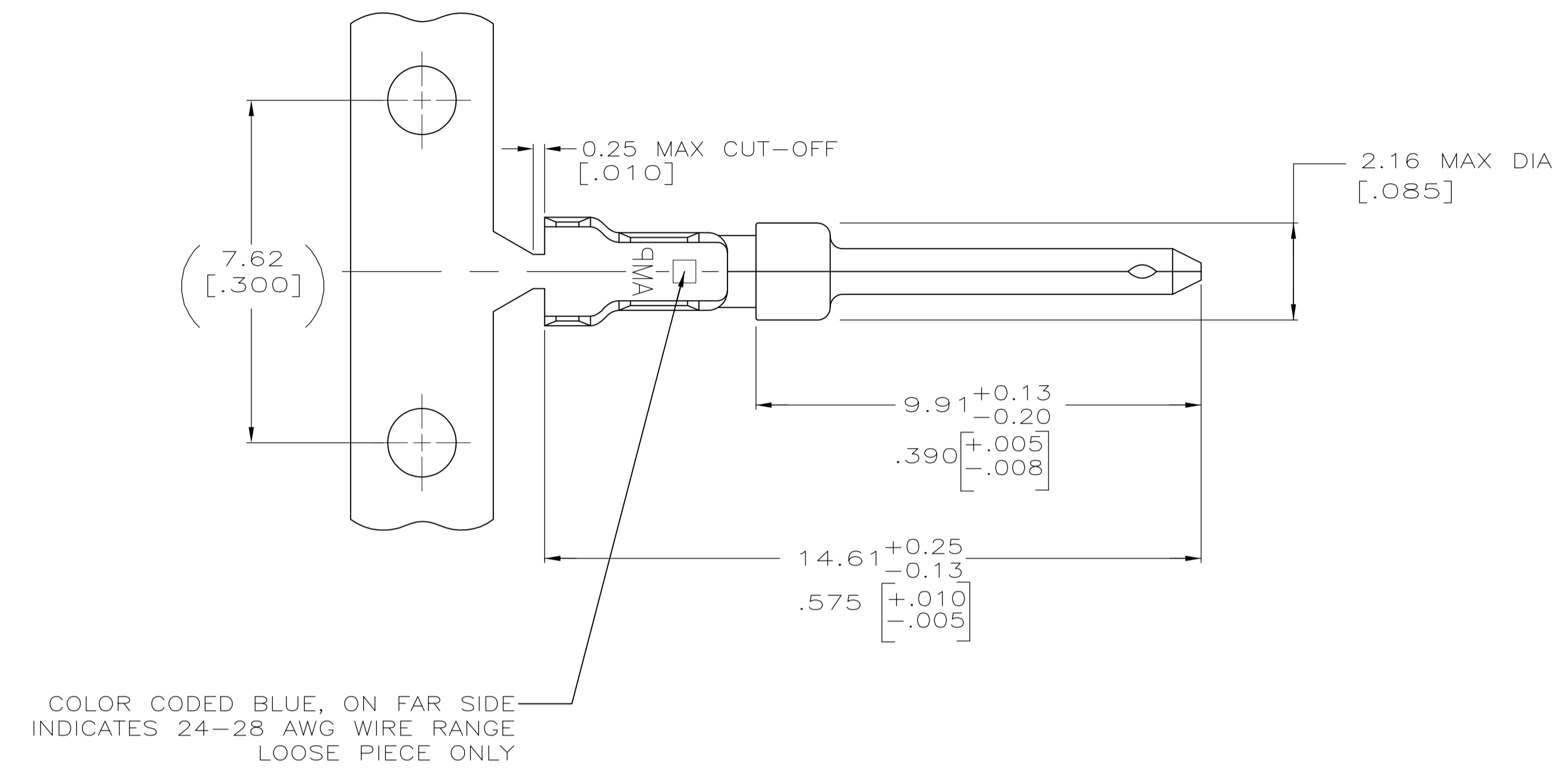
Contact us

Tel: +86-755-8981 8866 Fax: +86-755-8427 6832

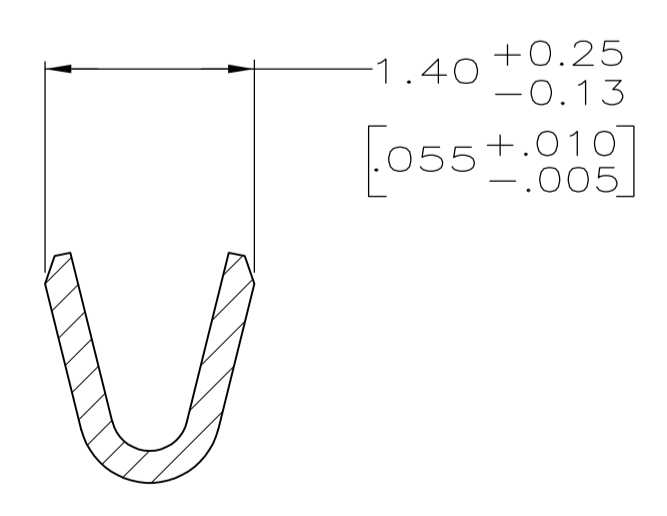
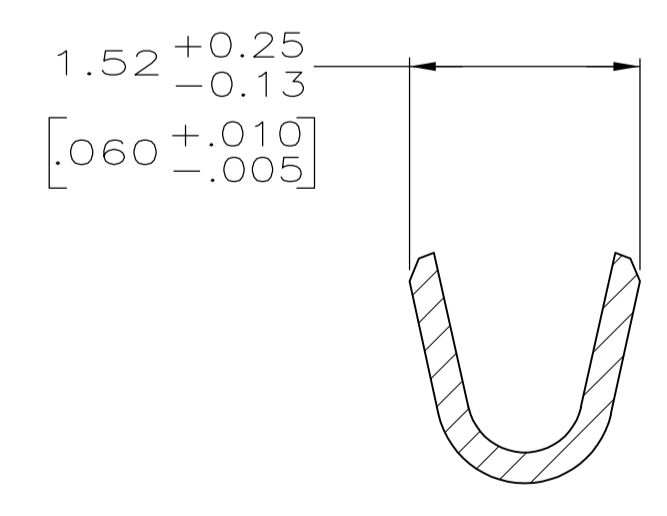
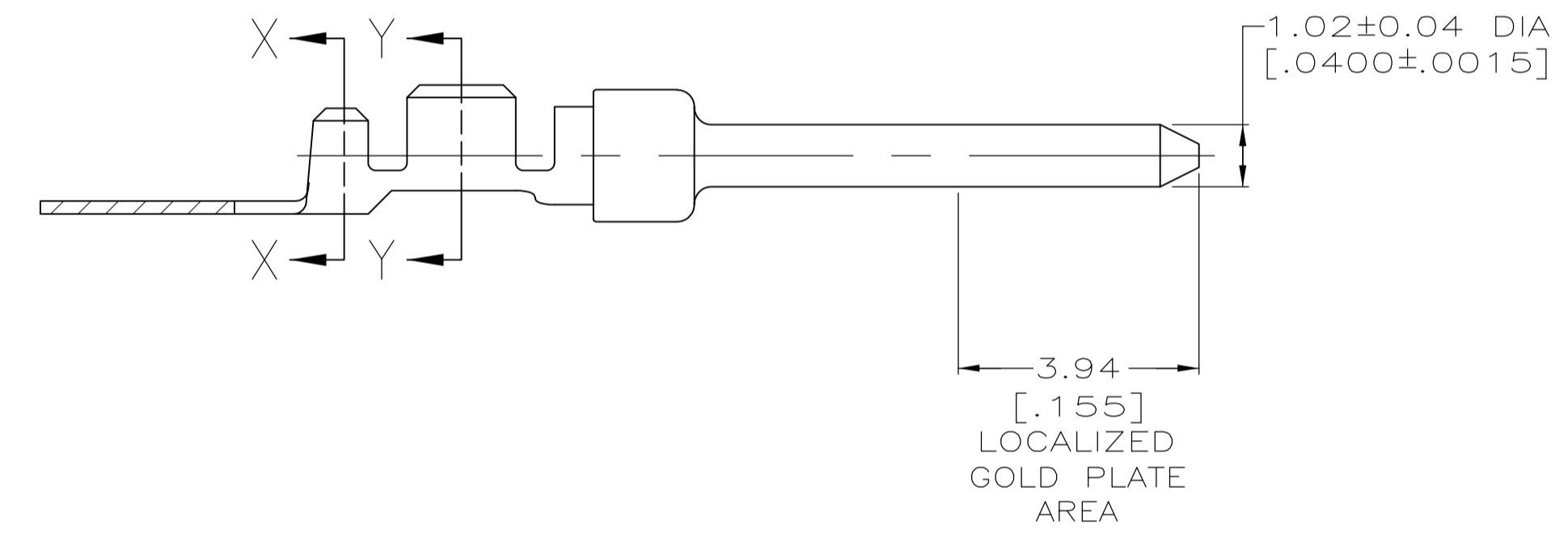
Email & Skype: info@chipsmall.com Web: www.chipsmall.com

Address: A1208, Overseas Decoration Building, #122 Zhenhua RD., Futian, Shenzhen, China





- 1 FOR MINI-APPLICATOR AND STRIPPER CRIMPER.
- 2 FOR HAND TOOL USE ONLY.
- 3. WIRE RANGE OF 24-28, INSULATION RANGE OF .030-.040.
- 4. TIN PLATING MAY NOT APPEAR ON CARRIER STRIP.
- 5 GOLD FLASH IN LOCALIZED GOLD PLATE AREA, 2.54μm [.000100] MIN TIN ON WIRE BARRELS, ALL OVER 0.76μm [.000030] MIN NICKEL UNDERPLATE.
- 6 GOLD FLASH IN LOCALIZED GOLD PLATED AREA, 0.76μm [.000030] MIN TIN ON WIRE BARRELS, ALL OVER 0.76μm [.000030] MIN NICKEL UNDERPLATE.
- 7 GOLD PLATED IN LOCALIZED GOLD PLATE AREA AS FOLLOWS:
0.76μm [.000030] MIN GOLD IN MATED AREA,
2.54μm [.000100] MIN TIN ON WIRE BARRELS, ALL OVER
1.27μm [.000050] MIN NICKEL UNDERPLATE.
OR
GOLD FLASH OVER
PALLADIUM-NICKEL PLATE, 0.76μm [.000030] MIN TOTAL IN MATED AREA,
2.54μm [.000100] MIN TIN ON WIRE BARRELS, ALL OVER
1.27μm [.000050] MIN NICKEL UNDERPLATE.
- 8 FOR STANDARD APPLICATOR ONLY.



FINISH	USE	TYPE	PART NUMBER
7	8	STRIP	1658540-6
7	8	LOOSE PIECE	1658540-5
7	1	STRIP	1658540-4
6	1	STRIP	1658540-3
6	1	LOOSE PIECE	1658540-2
5	1	STRIP	1658540-1

THIS DRAWING IS A CONTROLLED DOCUMENT.

DIMENSIONS: mm [INCHES]	TOLERANCES UNLESS OTHERWISE SPECIFIED:	DIN 11-17-04	11-17-04
0 PLC ± -	1 PLC ± -	L VARELA - DOCKS	11-17-04
2 PLC ± 0.13 [.005]	3 PLC ± -	S BOLASH	11-17-04
4 PLC ± -	ANGLES ± -	M WALMSLEY	11-17-04
MATERIAL: BRASS	FINISH: SEE TABLE	APPROVED	NAME
		108-40005	PIN CONTACT, 20 DF, 24-28 AWG, AMPLIMITE
		114-10000	
		SIZE: A1	CAGE CODE: 1658540
		WEIGHT: -	RESTRICTED TO: -
		CUSTOMER DRAWING	SCALE: 10:1 SHEET: 1 OF 1 REV: D1

STE TE Connectivity