



Chipsmall Limited consists of a professional team with an average of over 10 year of expertise in the distribution of electronic components. Based in Hongkong, we have already established firm and mutual-benefit business relationships with customers from,Europe,America and south Asia,supplying obsolete and hard-to-find components to meet their specific needs.

With the principle of “Quality Parts,Customers Priority,Honest Operation,and Considerate Service”,our business mainly focus on the distribution of electronic components. Line cards we deal with include Microchip,ALPS,ROHM,Xilinx,Pulse,ON,Everlight and Freescale. Main products comprise IC,Modules,Potentiometer,IC Socket,Relay,Connector.Our parts cover such applications as commercial,industrial, and automotives areas.

We are looking forward to setting up business relationship with you and hope to provide you with the best service and solution. Let us make a better world for our industry!



Contact us

Tel: +86-755-8981 8866 Fax: +86-755-8427 6832

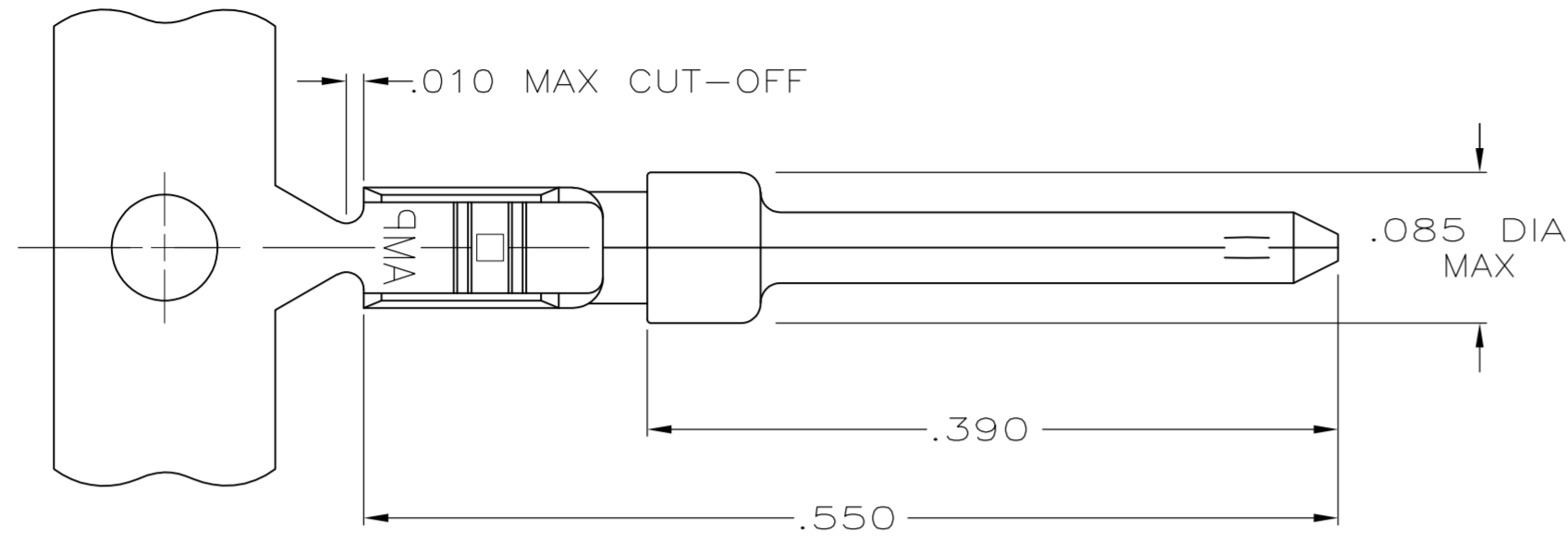
Email & Skype: info@chipsmall.com Web: www.chipsmall.com

Address: A1208, Overseas Decoration Building, #122 Zhenhua RD., Futian, Shenzhen, China

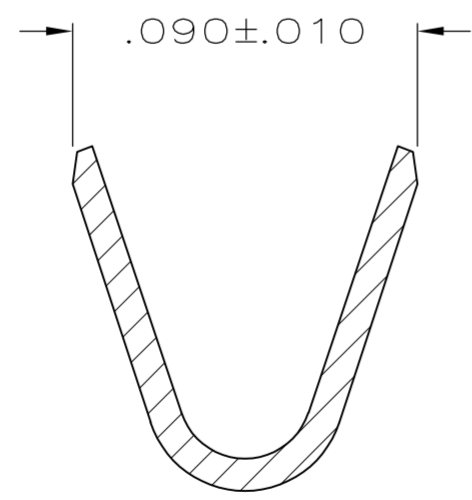
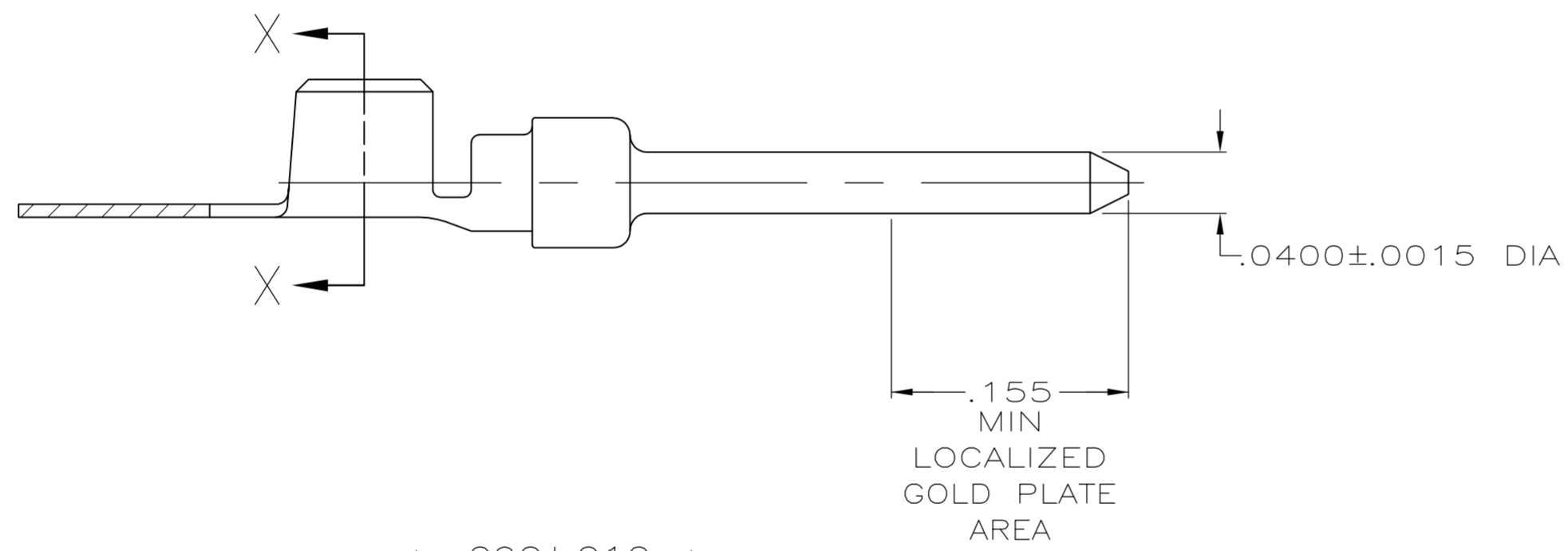


THIS DRAWING IS UNPUBLISHED. RELEASED FOR PUBLICATION
 © COPYRIGHT BY TYCO ELECTRONICS CORPORATION. ALL RIGHTS RESERVED.

LOC	DIST	REVISIONS			
P	LTR	DESCRIPTION	DATE	DWN	APVD
GP	00	B	REVISED PER ECO-08-007460	24JUN2008	ZMRCWR



- 1. FOR MINI-APPLICATOR.
- 2. WIRE RANGE OF 18-22 AWG.
- 3. .068 MAX INSULATION DIAMETER ALLOWABLE WHEN USING 91067-2 EXTRACTION TOOL.
- 4. TIN PLATING MAY NOT APPEAR ON CARRIER STRIP.
- 5. GOLD PLATED IN LOCALIZED GOLD PLATE AREA AS FOLLOWS:
 .000030 MIN GOLD IN MATED AREA, .000100 MIN TIN ON WIRE BARRELS, ALL OVER .000050 MIN NICKEL UNDERPLATE.
 OR
 GOLD FLASH OVER PALLADIUM-NICKEL PLATE, .000030 MIN TOTAL IN MATED AREA, .000100 MIN TIN ON WIRE BARRELS, ALL OVER .000050 MIN NICKEL UNDERPLATE.



SECTION X-X
 WIRE BARREL
 SCALE 20:1

FINISH	1658541-1 PART NUMBER
--------	--------------------------

THIS DRAWING IS A CONTROLLED DOCUMENT.		DWN R. SAMICK 13AUG03	Tyco Electronics Corporation Harrisburg, PA 17105-3608	
DIMENSIONS: INCHES		CHK S. BOLASH 13AUG03		
TOLERANCES UNLESS OTHERWISE SPECIFIED:		APVD M. WALMSLEY 13AUG03	NAME	
0 PLC ± -		PRODUCT SPEC	PIN CONTACT, 20 DF,	
1 PLC ± -		APPLICATION SPEC	18-22 AWG, AMPLIMITE	
2 PLC ± -		108-40005	SIZE	CAGE CODE
3 PLC ± .005		114-10000	A2	00779
4 PLC ± -		WEIGHT	DRAWING NO	
ANGLES ± -		-	C=1658541	
FINISH		CUSTOMER DRAWING	SCALE	SHEET
BRASS PER SEE TABLE			10:1	1 of 1
				REV B