



Chipsmall Limited consists of a professional team with an average of over 10 year of expertise in the distribution of electronic components. Based in Hongkong, we have already established firm and mutual-benefit business relationships with customers from,Europe,America and south Asia,supplying obsolete and hard-to-find components to meet their specific needs.

With the principle of "Quality Parts,Customers Priority,Honest Operation,and Considerate Service",our business mainly focus on the distribution of electronic components. Line cards we deal with include Microchip,ALPS,ROHM,Xilinx,Pulse,ON,Everlight and Freescale. Main products comprise IC,Modules,Potentiometer,IC Socket,Relay,Connector.Our parts cover such applications as commercial,industrial, and automotives areas.

We are looking forward to setting up business relationship with you and hope to provide you with the best service and solution. Let us make a better world for our industry!



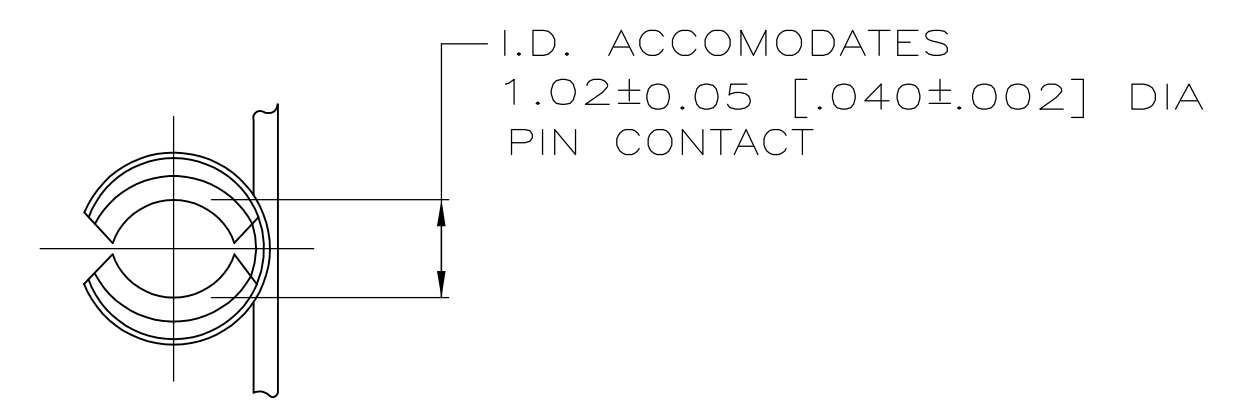
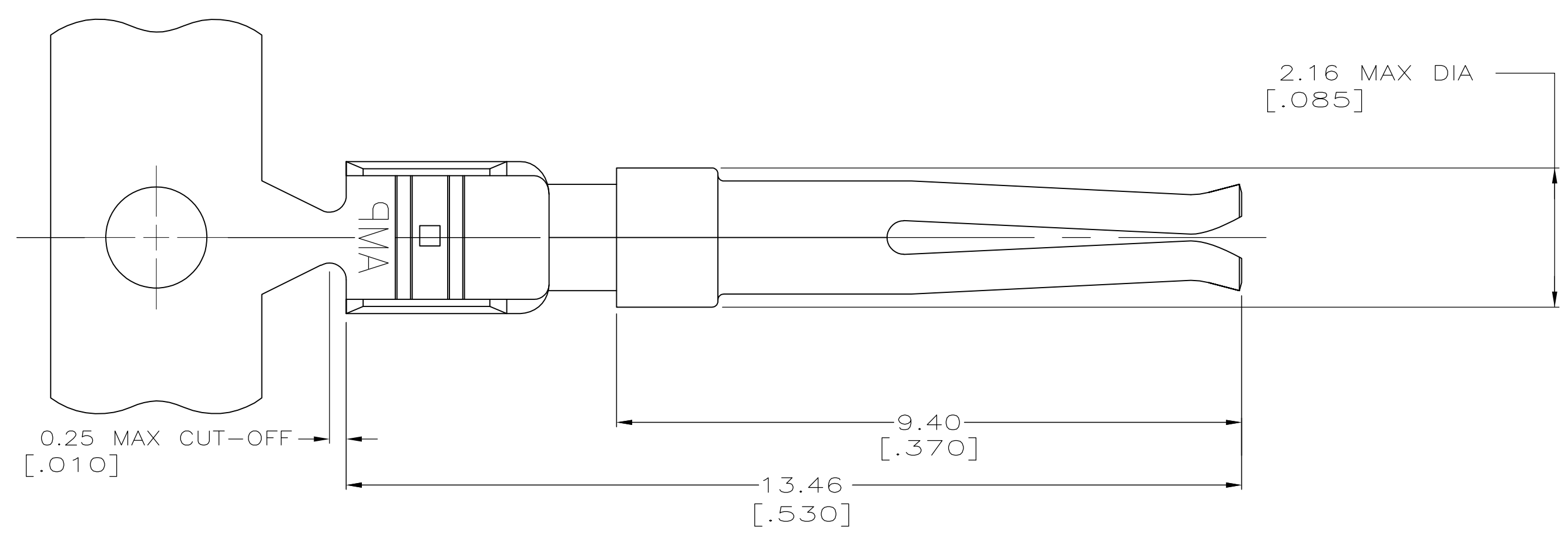
Contact us

Tel: +86-755-8981 8866 Fax: +86-755-8427 6832

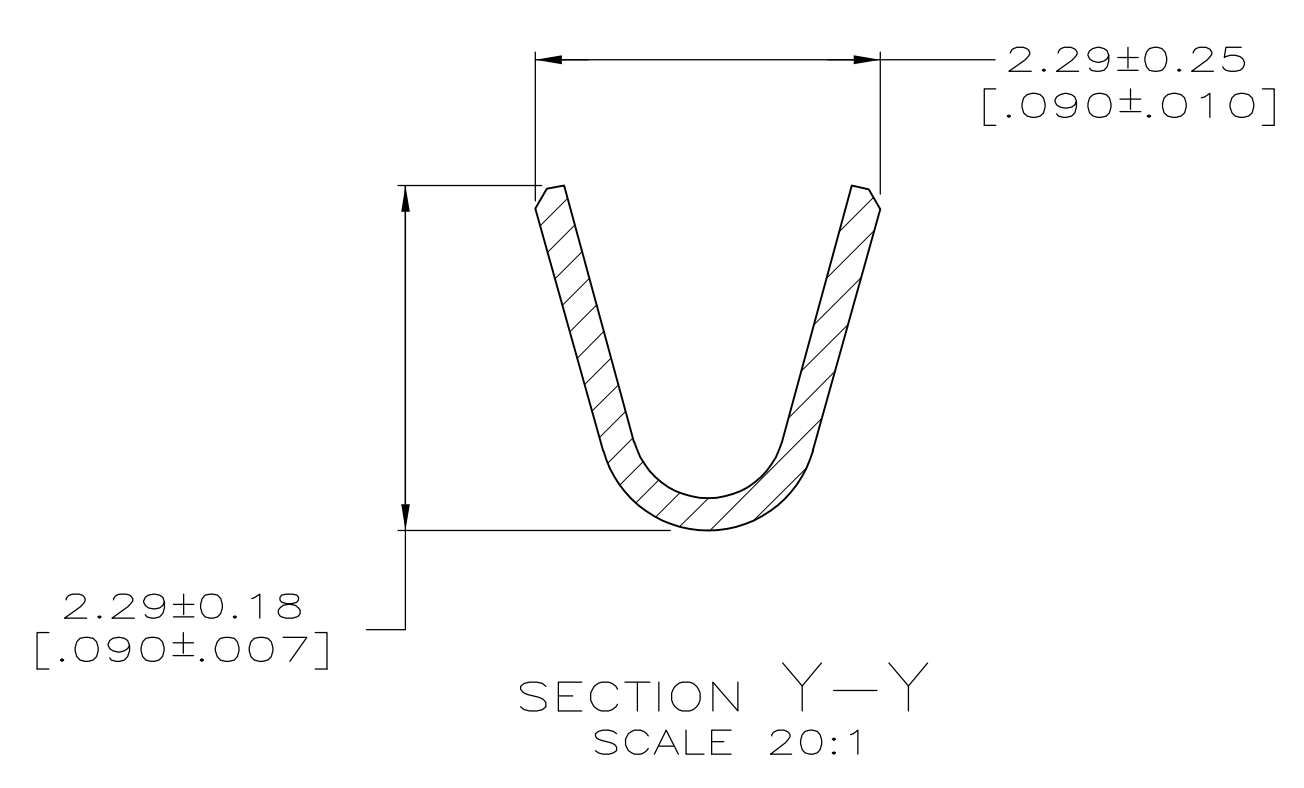
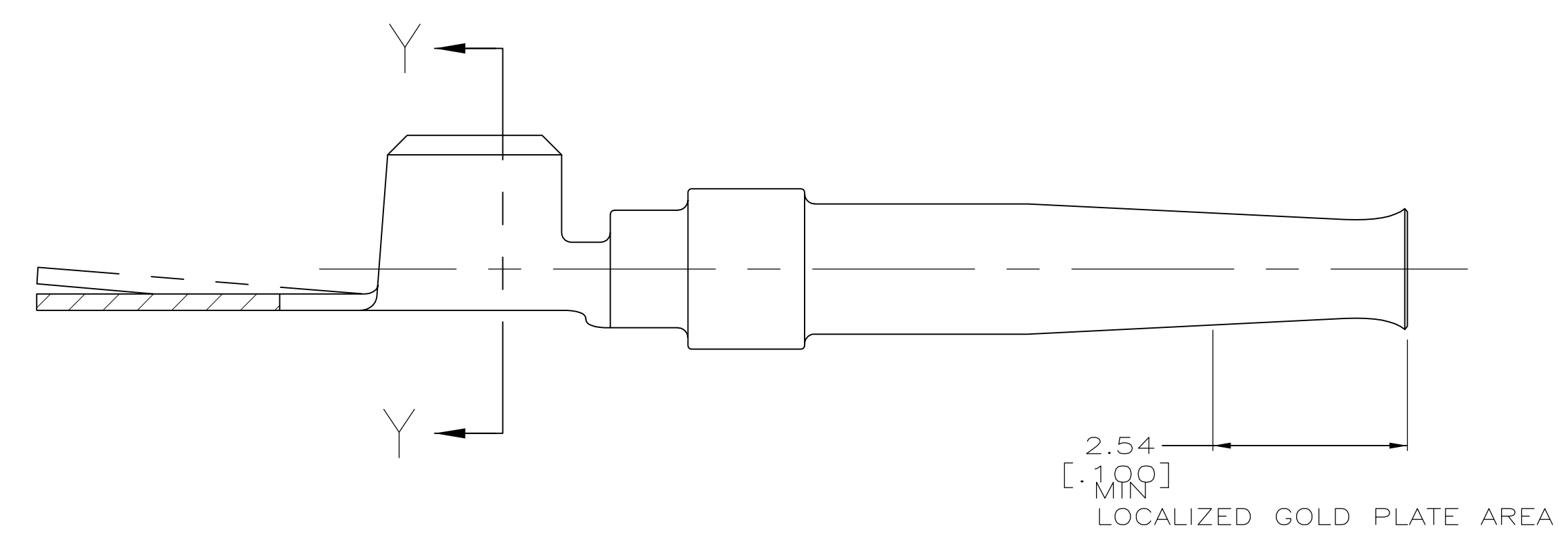
Email & Skype: info@chipsmall.com Web: www.chipsmall.com

Address: A1208, Overseas Decoration Building, #122 Zhenhua RD., Futian, Shenzhen, China





- 1. FOR MINI-APPLICATOR.
- 2. MAX. INSULATION DIAMETER ALLOWABLE FOR EXTRACTING CONTACT FROM CONNECTOR WITH 91067-2 TOOL IS 1.73 [.068].
- 3. GOLD FLASH ON INSIDE OF LOCALIZED GOLD PLATE AREA, 2.54μm [.000100] TIN PLATED ON CRIMP BARRELS, ALL OVER 0.76μm [.000030] NICKEL UNDERPLATE.
- 4. PLATED WITH 0.76μm [.000030] GOLD ON INSIDE OF LOCALIZED GOLD PLATE AREA, 2.54μm [.000100] TIN ON CRIMP BARRELS, ALL OVER 1.27μm [.000050] NICKEL UNDERPLATE.
-OR-
GOLD FLASH OVER PALLADIUM-NICKEL 0.76μm [.000030] TOTAL ON INSIDE OF LOCALIZED GOLD PLATE AREA, 2.54μm [.000100] TIN ON CRIMP BARRELS, ALL OVER 1.27μm [.000050] NICKEL UNDERPLATE.



4	1658542-2
3	1658542-1
FINISH	PART NUMBER 1

THIS DRAWING IS A CONTROLLED DOCUMENT.		DWN R. SAMICK	14AUG03	Tyco Electronics Corporation Harrisburg, PA 17105-3608
DIMENSIONS: mm [INCHES]		CHK S. BOLASH	14AUG03	
TOLERANCES UNLESS OTHERWISE SPECIFIED:		APD M. WALMSLEY	14AUG03	NAME CONTACT, SOCKET,
0. PLC	± -	PRODUCT SPEC		20 DF, 18-22 AWG, AMPLIMITE
1. PLC	± -	APPLICATION SPEC		RESTRICTED TO
2. PLC	± 0.13 [.005]	108-40005		SIZE A1
3. PLC	± -	114-10000		CAGE CODE 00779
4. PLC	± -	WEIGHT -		DRAWING NO 1658542
ANGLES	± -	MATERIAL PHOS BRONZE		SCALE 15:1
FINISH	SEE TABLE	CUSTOMER DRAWING		SHEET 1 OF 1
				REV D