



Chipsmall Limited consists of a professional team with an average of over 10 year of expertise in the distribution of electronic components. Based in Hongkong, we have already established firm and mutual-benefit business relationships with customers from,Europe,America and south Asia,supplying obsolete and hard-to-find components to meet their specific needs.

With the principle of “Quality Parts,Customers Priority,Honest Operation,and Considerate Service”,our business mainly focus on the distribution of electronic components. Line cards we deal with include Microchip,ALPS,ROHM,Xilinx,Pulse,ON,Everlight and Freescale. Main products comprise IC,Modules,Potentiometer,IC Socket,Relay,Connector.Our parts cover such applications as commercial,industrial, and automotives areas.

We are looking forward to setting up business relationship with you and hope to provide you with the best service and solution. Let us make a better world for our industry!



Contact us

Tel: +86-755-8981 8866 Fax: +86-755-8427 6832

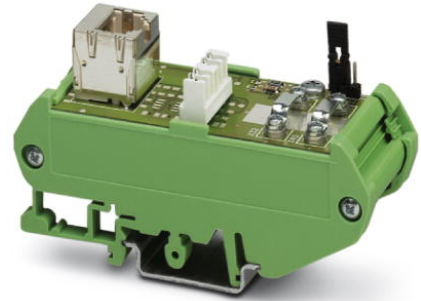
Email & Skype: info@chipsmall.com Web: www.chipsmall.com

Address: A1208, Overseas Decoration Building, #122 Zhenhua RD., Futian, Shenzhen, China




VS-PP-PN-R-1XRJ45/5-LSA

Order No.: 1658558

<http://eshop.phoenixcontact.de/phoenix/treeViewClick.do?UID=1658558>

Patch panel for PROFINET, RJ45, DIN rail mounting, IP20, one slot, LSA connection, CAT5e, shielding over jumper can be selected

PROFINET

Commercial data	
GTIN (EAN)	 4 046356 162920
sales group	D512
Pack	1 pcs.
Customs tariff	85366990
Catalog page information	Page 230 (PC-2009)

Product notes

WEEE/RoHS-compliant since:
01/01/2008



<http://www.download.phoenixcontact.com>
Please note that the data given here has been taken from the online catalog. For comprehensive information and data, please refer to the user documentation. The General Terms and Conditions of Use apply to Internet downloads.

Technical data	
Mechanical characteristics	
Number of positions	4
Number of slots	1
Insertion/withdrawal cycles	≥ 200
Type of connection	LSA-PLUS

Conductor cross-section	0.14 mm ² ... 0.34 mm ² (solid)
Connection cross-section AWG	26 ... 22 (solid)
External cable diameter	5 mm ... 8.5 mm
Color	green
Ambient temperature (operation)	0 °C ... 70 °C

Material data

Inflammability class acc. to UL 94	V0
Housing material	PC
Contact carrier material	PBT
Contact material	Copper alloy
Contact surface material	Gold over nickel
Degree of protection	IP20

Electrical characteristics

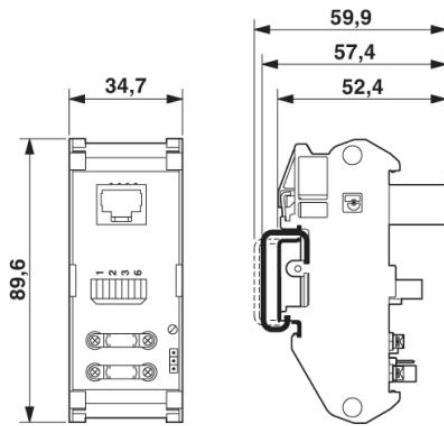
Number of positions	4
Transmission characteristics (category)	CAT5 (IEC 11801:2002), CAT5e (TIA 568B:2001)
Rated current	1 A

Accessories

Item	Designation	Description
General		
2765505	CT-WZ/A	Split-core tool for connecting cables to LSA-Plus strips
Tools		
1657407	VS-CABLE-STRIP-VARIO	Stripping tool, for the multi-level stripping of shielded cables

Diagrams/Drawings

Dimensioned drawing



RJ45 patch panel

Address

PHOENIX CONTACT Deutschland GmbH
Flachmarktstr. 8
32825 Blomberg, Germany
Phone +49 5235 3 12000
Fax +49 5235 3 41200
<http://www.phoenixcontact.de>



© 2011 Phoenix Contact
Technical modifications reserved;