



Chipsmall Limited consists of a professional team with an average of over 10 year of expertise in the distribution of electronic components. Based in Hongkong, we have already established firm and mutual-benefit business relationships with customers from,Europe,America and south Asia,supplying obsolete and hard-to-find components to meet their specific needs.

With the principle of “Quality Parts,Customers Priority,Honest Operation,and Considerate Service”,our business mainly focus on the distribution of electronic components. Line cards we deal with include Microchip,ALPS,ROHM,Xilinx,Pulse,ON,Everlight and Freescale. Main products comprise IC,Modules,Potentiometer,IC Socket,Relay,Connector.Our parts cover such applications as commercial,industrial, and automotives areas.

We are looking forward to setting up business relationship with you and hope to provide you with the best service and solution. Let us make a better world for our industry!



Contact us

Tel: +86-755-8981 8866 Fax: +86-755-8427 6832

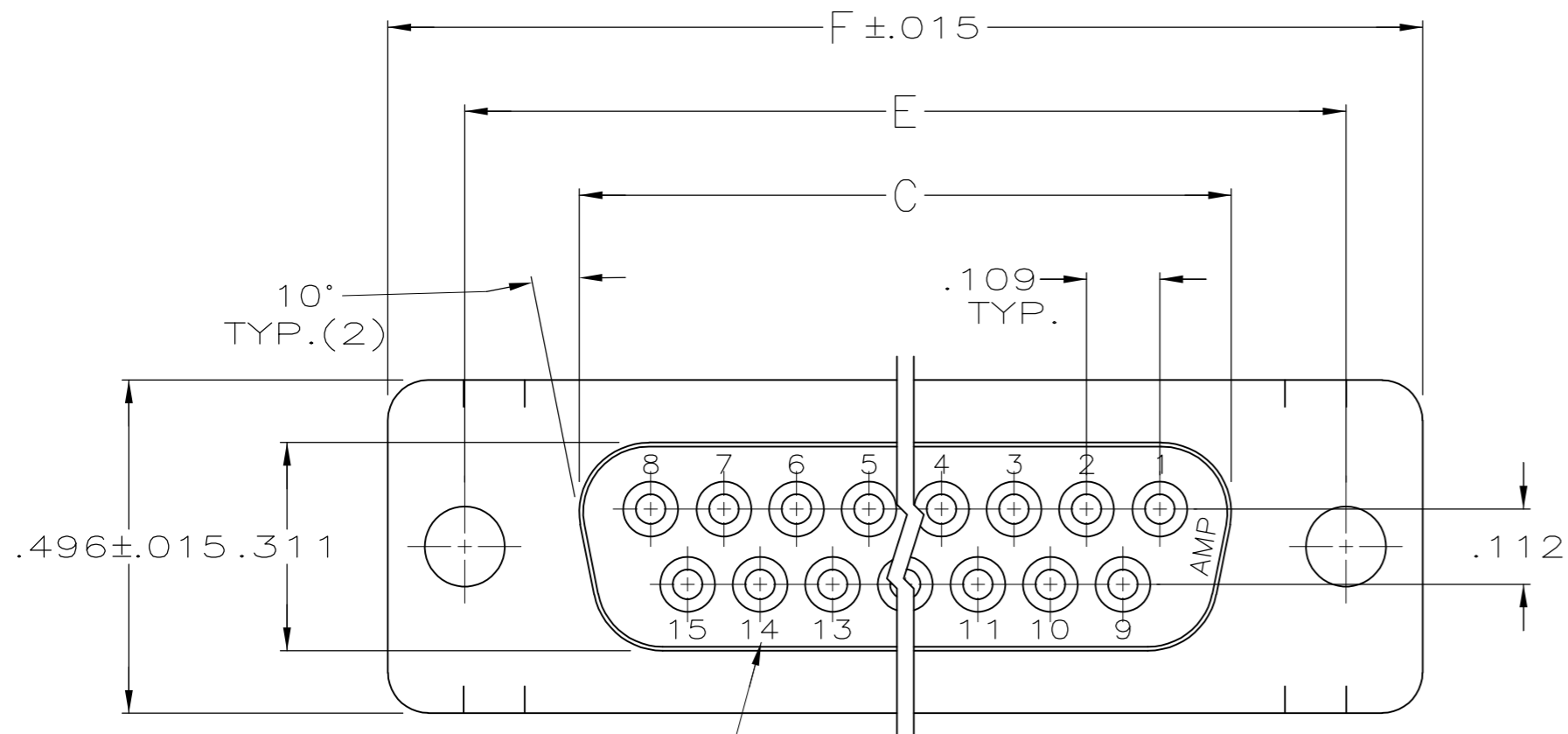
Email & Skype: info@chipsmall.com Web: www.chipsmall.com

Address: A1208, Overseas Decoration Building, #122 Zhenhua RD., Futian, Shenzhen, China

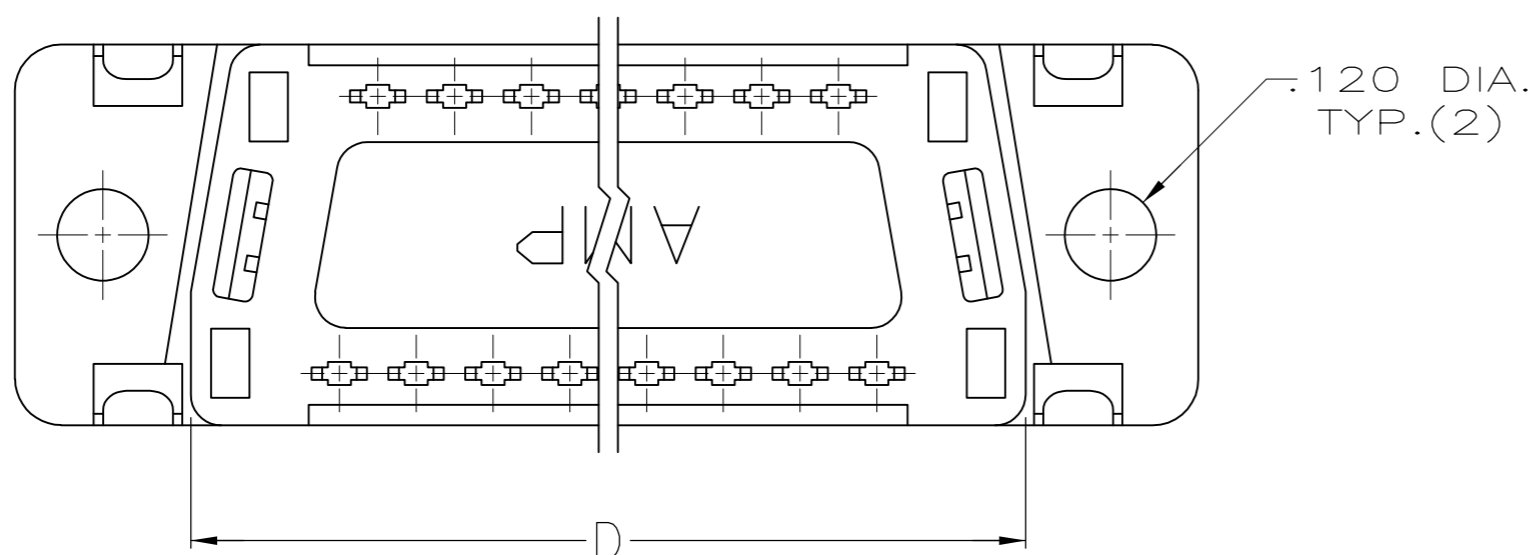
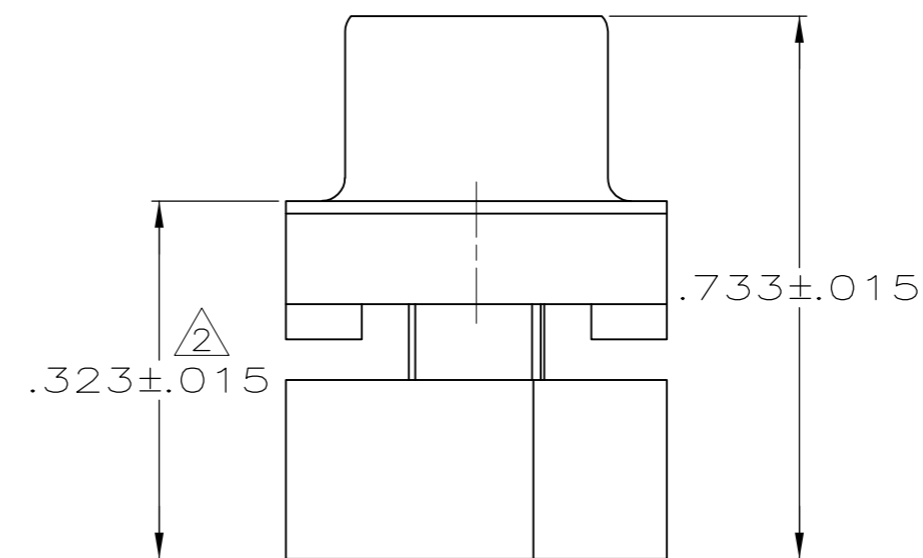
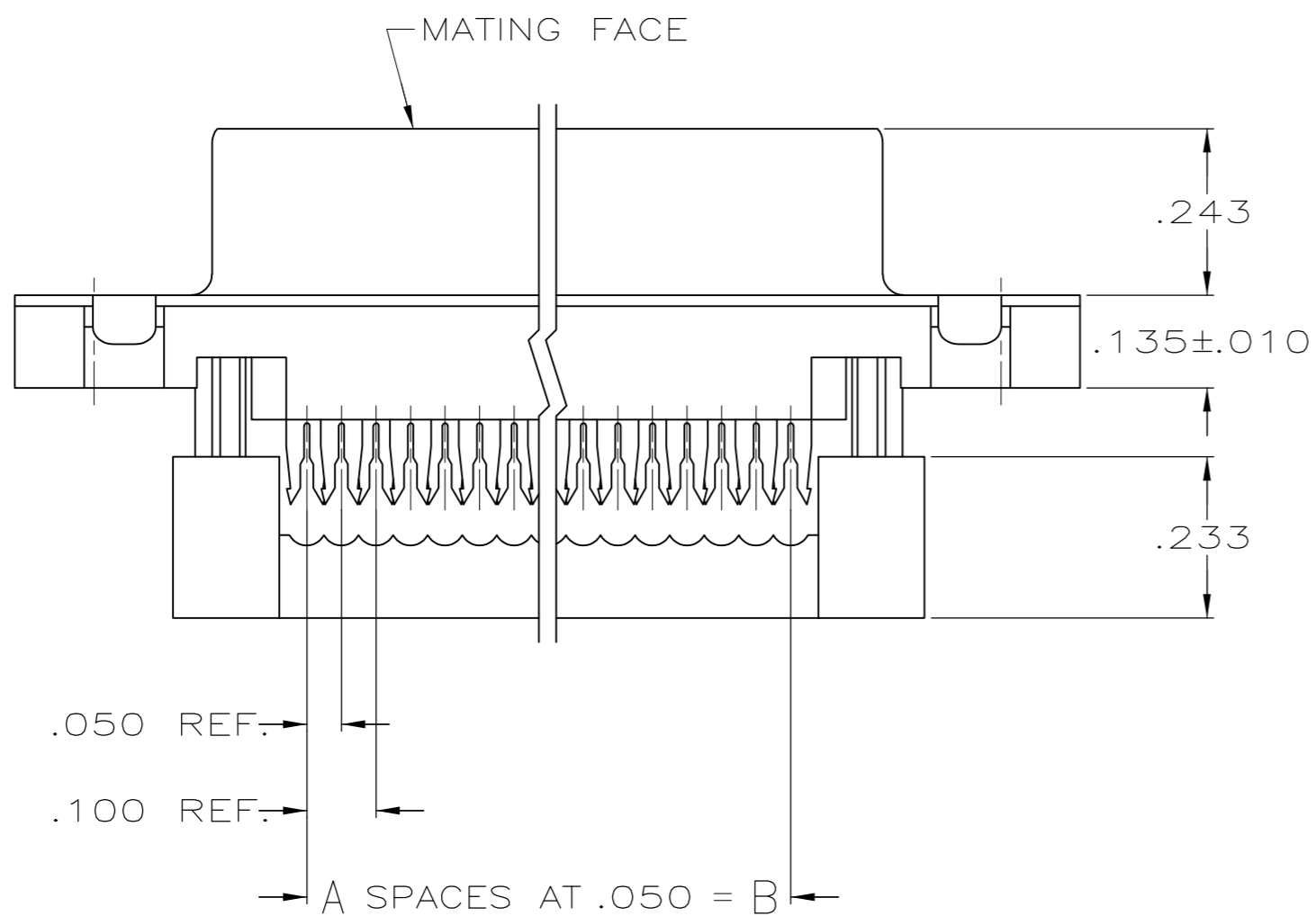


THIS DRAWING IS UNPUBLISHED. RELEASED FOR PUBLICATION
 © COPYRIGHT - By - ALL RIGHTS RESERVED.

| LOC | | DIST | | REVISIONS | | | |
|-----|-----|-------------|--|---------------------------|---------|--------|--|
| P | LTR | DESCRIPTION | | DATE | DWN | APVD | |
| GP | 00 | P | | REVISED PER ECO-11-004835 | 11MAR11 | RK HMR | |



DEPRESSED CAVITY IDENTIFICATION
(15 POSITION SHOWN)



- CONNECTOR DESIGNED FOR 28 AND 26 AWG STRANDED AND SOLID CONDUCTOR RIBBON CABLE ON .050 ϕ .
- DIMENSION APPLIES TO TERMINATED CONNECTOR.
- MOLDED PARTS: THERMOPLASTIC, 94V-0 RATED, FLAME RETARDANT, BLACK. SHELL: STEEL PER QQ-S-698. CONTACTS: PHOSPHOR BRONZE PER QQ-B-750.
- GOLD PLATING PER MIL-G-45204, TIN PLATING PER MIL-T-10727, NICKEL PLATING PER QQ-N-290
- SHELL: BRIGHT TIN PLATED. CONTACTS: .000030 MIN GOLD IN LOCALIZED GOLD PLATE AREA, .000100-.000200 MATTE TIN ON TERMINATION END, ALL OVER .000050 MIN NICKEL ON ENTIRE CONTACT.

| 1.216 | .984 | .759 | .643 | .400 | 8 | 9 | 1658612-4 |
|-------|-------|-------|-------|-------|----|------------|-------------|
| 1.541 | 1.312 | 1.087 | .971 | .700 | 14 | 15 | 1658612-3 |
| 2.090 | 1.852 | 1.623 | 1.511 | 1.200 | 24 | 25 | 1658612-2 |
| 2.732 | 2.500 | 2.275 | 2.159 | 1.800 | 36 | 37 | 1658612-1 |
| F | E | D | C | B | A | NO OF POSN | PART NUMBER |

THIS DRAWING IS A CONTROLLED DOCUMENT.

| | | |
|------------------|-------------|---------|
| DWN | L. BAUM | 6/13/03 |
| CHK | C. ROHDE | 6/13/03 |
| APVD | M. WALMSLEY | 6/13/03 |
| PRODUCT SPEC | 108-40012 | |
| APPLICATION SPEC | - | |
| WEIGHT | - | - |

TE TE Connectivity

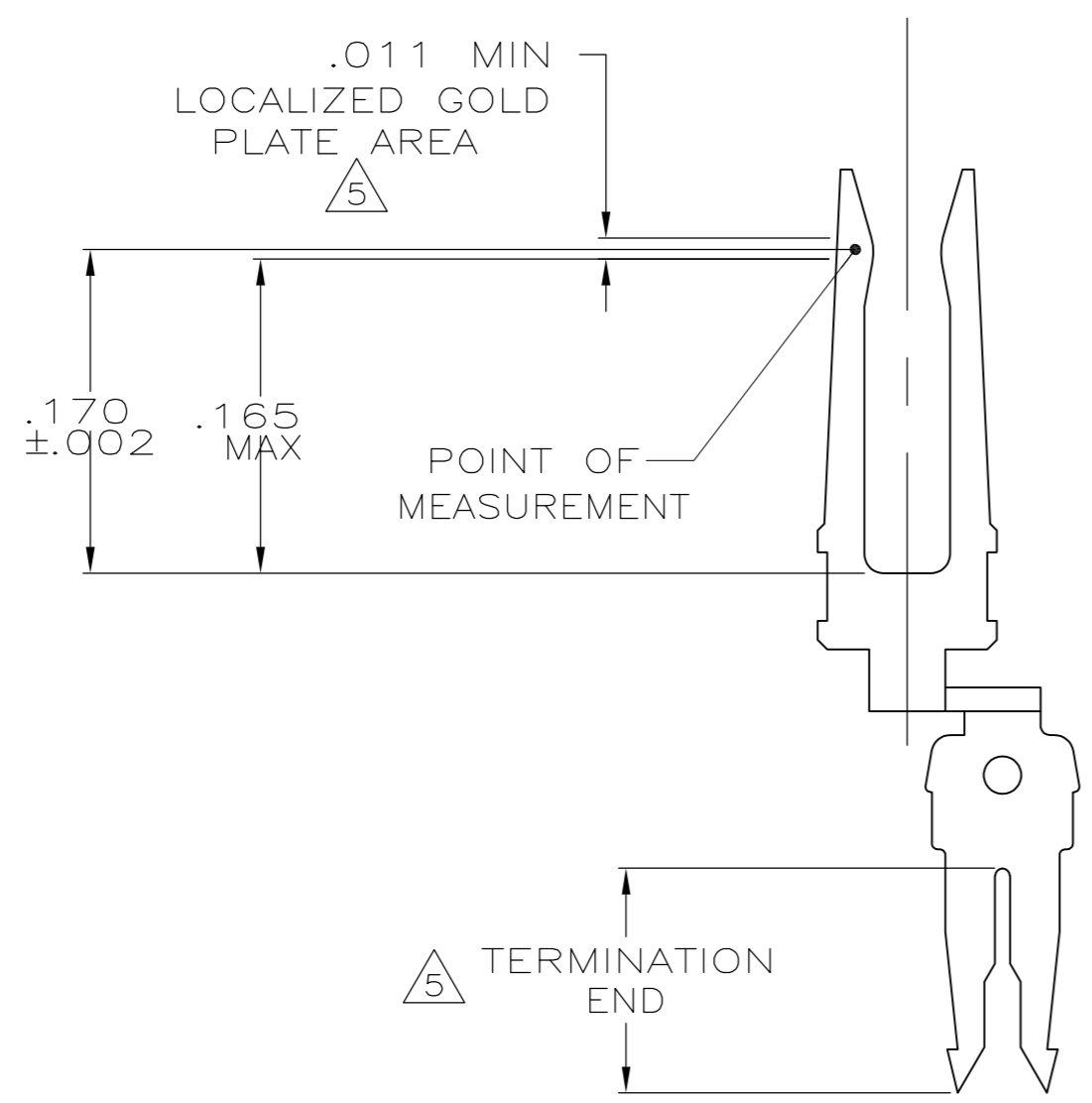
RCPT ASSY, FRONT METAL SHELL, LEAD-FREE, AMPLIMITE HDF

| | | | |
|------|-----------|------------|---------------|
| SIZE | CAGE CODE | DRAWING NO | RESTRICTED TO |
| A2 | 00779 | C=1658612 | - |

CUSTOMER DRAWING SCALE 4:1 SHEET 1 of 2 REV P

THIS DRAWING IS UNPUBLISHED. RELEASED FOR PUBLICATION
 © COPYRIGHT - By - ALL RIGHTS RESERVED.

| LOC | DIST | REVISIONS | | | |
|-----|------|-------------|------|-----|------|
| P | LTR | DESCRIPTION | DATE | DWN | APVD |
| GP | 00 | SEE SHEET 1 | - | - | - |



CONTACT DETAIL
SCALE 10:1

| | | | | | | | | | | | | | | | | | | | | | | |
|--|---|--------------------------------|---|-------------------------|-------|---|---|-------|---|---|-------|---|------|-------|---|---|--------|---|----|---------------------------|---------------|--|
| THIS DRAWING IS A CONTROLLED DOCUMENT. | | DWN L. BAUM 6/13/03 | | | | | | | | | | | | | | | | | | | | |
| DIMENSIONS: INCHES | | CHK C. ROHDE 6/13/03 | | | | | | | | | | | | | | | | | | | | |
| TOLERANCES UNLESS OTHERWISE SPECIFIED: | | APVD M. WALMSLEY 6/13/03 | NAME RCPT ASSY, FRONT METAL SHELL, LEAD-FREE, AMPLIMITE HDF | | | | | | | | | | | | | | | | | | | |
| <table border="1"> <tr><td>0 PLC</td><td>±</td><td>-</td></tr> <tr><td>1 PLC</td><td>±</td><td>-</td></tr> <tr><td>2 PLC</td><td>±</td><td>-</td></tr> <tr><td>3 PLC</td><td>±</td><td>.005</td></tr> <tr><td>4 PLC</td><td>±</td><td>-</td></tr> <tr><td>ANGLES</td><td>±</td><td>2°</td></tr> </table> | | 0 PLC | ± | - | 1 PLC | ± | - | 2 PLC | ± | - | 3 PLC | ± | .005 | 4 PLC | ± | - | ANGLES | ± | 2° | PRODUCT SPEC 108-40012 | RESTRICTED TO | |
| 0 PLC | ± | - | | | | | | | | | | | | | | | | | | | | |
| 1 PLC | ± | - | | | | | | | | | | | | | | | | | | | | |
| 2 PLC | ± | - | | | | | | | | | | | | | | | | | | | | |
| 3 PLC | ± | .005 | | | | | | | | | | | | | | | | | | | | |
| 4 PLC | ± | - | | | | | | | | | | | | | | | | | | | | |
| ANGLES | ± | 2° | | | | | | | | | | | | | | | | | | | | |
| MATERIAL SEE SHEET 1 | | FINISH SEE SHEET 1 | WEIGHT - | SIZE A2 | | | | | | | | | | | | | | | | | | |
| | | CUSTOMER DRAWING | | CAGE CODE 00779 | | | | | | | | | | | | | | | | | | |
| | | SCALE 4:1 | | DRAWING NO C=1658612 | | | | | | | | | | | | | | | | | | |
| | | SHEET 2 of 2 | | REV P | | | | | | | | | | | | | | | | | | |

1658612