



Chipsmall Limited consists of a professional team with an average of over 10 year of expertise in the distribution of electronic components. Based in Hongkong, we have already established firm and mutual-benefit business relationships with customers from,Europe,America and south Asia,supplying obsolete and hard-to-find components to meet their specific needs.

With the principle of “Quality Parts,Customers Priority,Honest Operation,and Considerate Service”,our business mainly focus on the distribution of electronic components. Line cards we deal with include Microchip,ALPS,ROHM,Xilinx,Pulse,ON,Everlight and Freescale. Main products comprise IC,Modules,Potentiometer,IC Socket,Relay,Connector.Our parts cover such applications as commercial,industrial, and automotives areas.

We are looking forward to setting up business relationship with you and hope to provide you with the best service and solution. Let us make a better world for our industry!



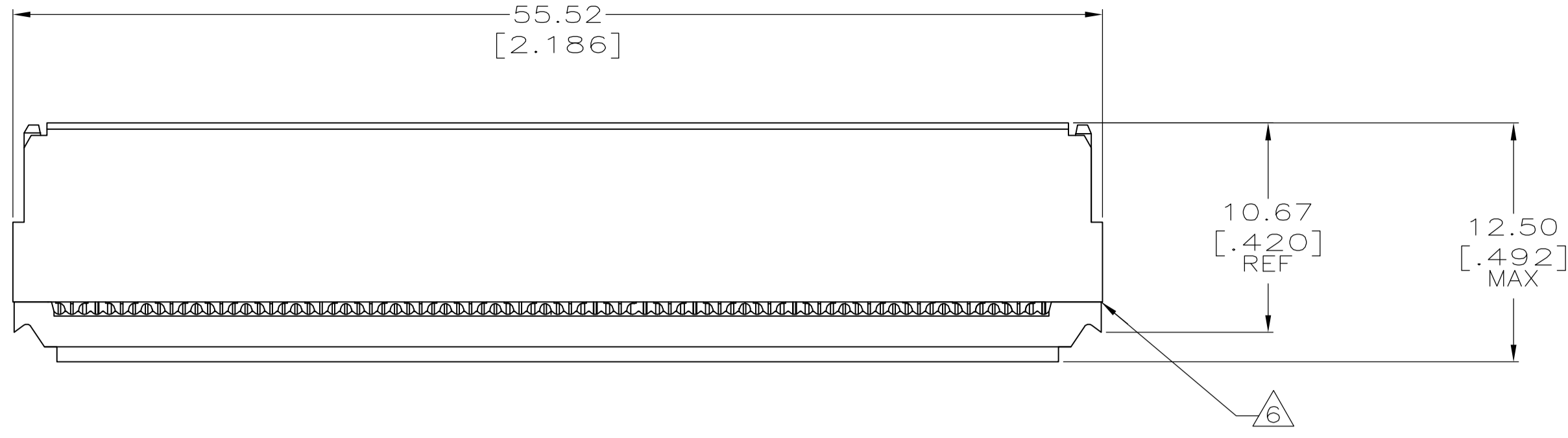
## Contact us

Tel: +86-755-8981 8866 Fax: +86-755-8427 6832

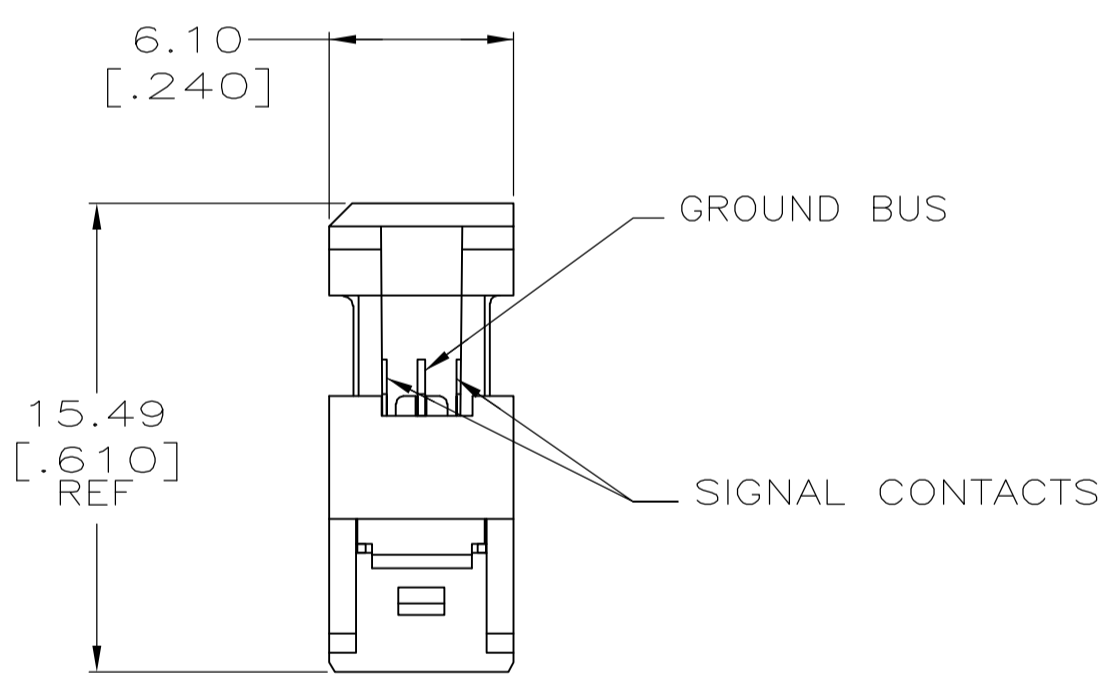
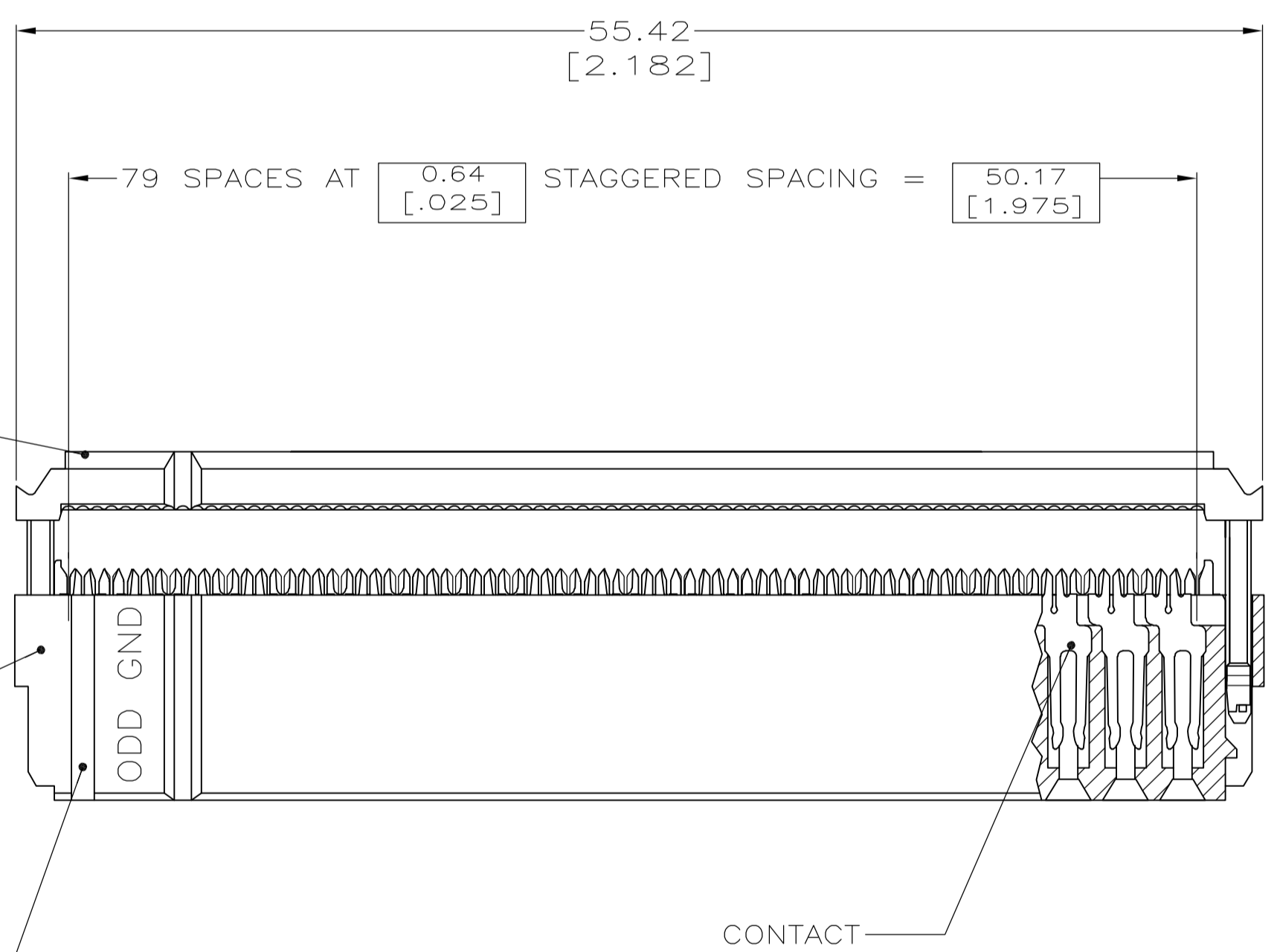
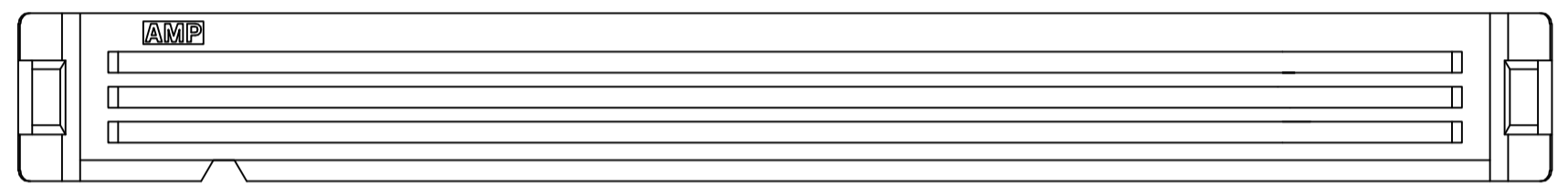
Email & Skype: info@chipsmall.com Web: www.chipsmall.com

Address: A1208, Overseas Decoration Building, #122 Zhenhua RD., Futian, Shenzhen, China





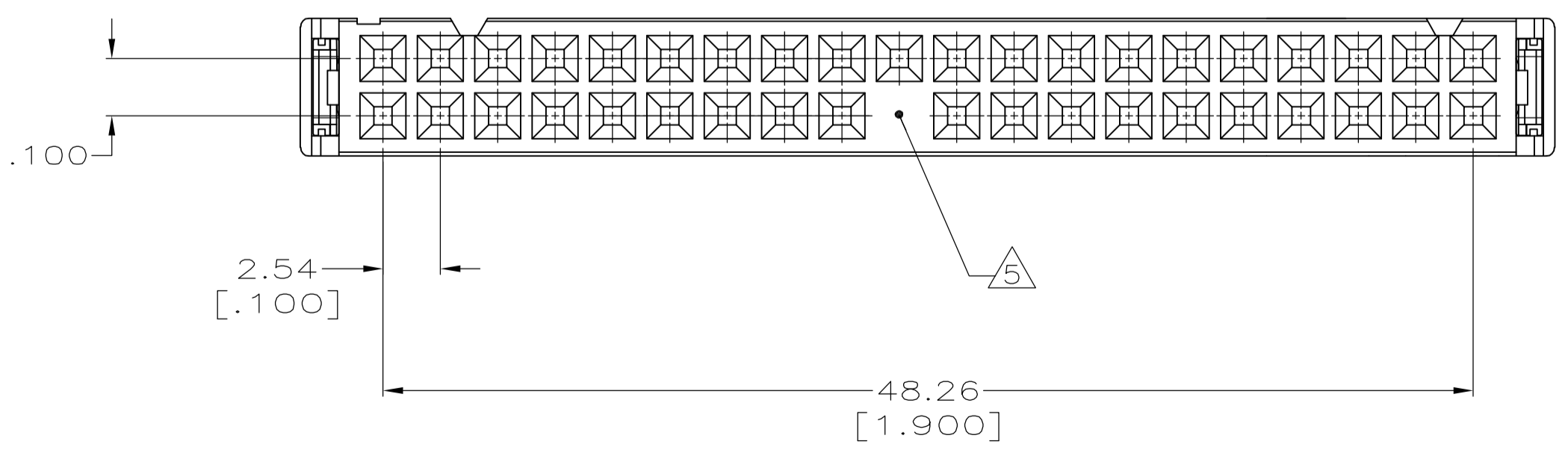
TERMINATED VIEW



- △ HOUSING: THERMOPLASTIC, UL 94V-0 RATED, SEE TABLE.  
COVER: THERMOPLASTIC, UL 94V-0 RATED, BLACK.  
CONTACTS: PHOSPHOR BRONZE PER QQ-B-750.
- △ CONTACTS: 0.38µm[.000015] MIN GOLD ON LOCALIZED PLATE AREA, 1.27µm[.000050] MIN TIN ON TERMINATION END, ALL OVER 1.27µm[.000050] MIN NICKEL ON ENTIRE CONTACT.
- △ CONTACT 34 GROUNDED.
- △ NO CONTACT AT POSITION 28.
- △ MOLDED KEYING AT CONTACT 20.
- △ NO GAP ALLOWED BETWEEN COVER AND HOUSING AT TERMINATION. .012 MAX GAP AT ANY OTHER TIME AFTER TERMINATION.
- 7. ALL ODD CABLE CONDUCTORS TERMINATE DIRECTLY TO THE GROUND BUS IN ALL CONNECTORS.
- 8. ALL EVEN CABLE CONDUCTORS TERMINATE TO CONNECTOR CONTACT NUMBERS USING THE FOLLOWING FORMULA: CABLE CONDUCTOR "X" TERMINATES TO CONNECTOR CONTACT NUMBER X/2. EXAMPLE: CABLE CONDUCTOR 46 TERMINATES TO CONNECTOR CONTACT NUMBER 23 (46/2).
- 9. EXCEPTIONS TO NOTE 8 AND DIFFERENCES BETWEEN CONNECTORS ARE SHOWN IN THE TABLE BELOW.

CABLE CONDUCTOR #	CABLE CONDUCTOR # SHOWN CONNECTS TO:		
	BLUE CONNECTOR CONTACT #	BLACK CONNECTOR CONTACT #	GRAY CONNECTOR CONTACT #
4	2 & GROUND BUS	2 & GROUND BUS	2 & GROUND BUS
38	19 & GROUND BUS	19 & GROUND BUS	19 & GROUND BUS
44	22 & GROUND BUS	22 & GROUND BUS	22 & GROUND BUS
48	24 & GROUND BUS	24 & GROUND BUS	24 & GROUND BUS
52	26 & GROUND BUS	26 & GROUND BUS	26 & GROUND BUS
56	28	28	NC (OPEN)
60	30 & GROUND BUS	30 & GROUND BUS	30 & GROUND BUS
68	34 & GROUND BUS	34	34
80	40 & GROUND BUS	40 & GROUND BUS	40 & GROUND BUS

CONTACT #1 INDICATOR



DEVICE(1) SLAVE	GRAY	△ 4	1658618-3
SYSTEMS BOARD	BLUE	△ 3	1658618-2
DEVICE(O) PRIMARY	BLACK		1658618-1
CONNECTOR TYPE	HOUSING COLOR	PART NUMBER	

THIS DRAWING IS A CONTROLLED DOCUMENT.

DIMENSIONS: mm [INCHES]	TOLERANCES UNLESS OTHERWISE SPECIFIED:	DIN R SAMICK 22AUG03	tyco Electronics	Tyco Electronics Corporation Harrisburg, PA 17105-3608
0 PLC ± -	1 PLC ± -	CHK C. ROHDE 22AUG03	APVD M. WALMSLEY 22AUG03	NAME RECEPTACLE ASSY, 40 POS, 80 POS CABLE, MILITARY POLARIZATION, LEAD FREE, AMP-LATCH™ ULTRA NOVO
2 PLC ± ± 0.08 [.003]	3 PLC ± ± -	PRODUCT SPEC 108-1740		SIZE CAGE CODE DRAWING NO RESTRICTED TO
4 PLC ± ± -	ANGLES ± ± -	APPLICATION SPEC 114-40056		WEIGHT - A1 00779 C=1658618
MATERIAL △	FINISH △	CUSTOMER DRAWING		SCALE 4:1 SHEET 1 OF 1 REV A