



Chipsmall Limited consists of a professional team with an average of over 10 year of expertise in the distribution of electronic components. Based in Hongkong, we have already established firm and mutual-benefit business relationships with customers from,Europe,America and south Asia,supplying obsolete and hard-to-find components to meet their specific needs.

With the principle of “Quality Parts,Customers Priority,Honest Operation,and Considerate Service”,our business mainly focus on the distribution of electronic components. Line cards we deal with include Microchip,ALPS,ROHM,Xilinx,Pulse,ON,Everlight and Freescale. Main products comprise IC,Modules,Potentiometer,IC Socket,Relay,Connector.Our parts cover such applications as commercial,industrial, and automotives areas.

We are looking forward to setting up business relationship with you and hope to provide you with the best service and solution. Let us make a better world for our industry!



Contact us

Tel: +86-755-8981 8866 Fax: +86-755-8427 6832

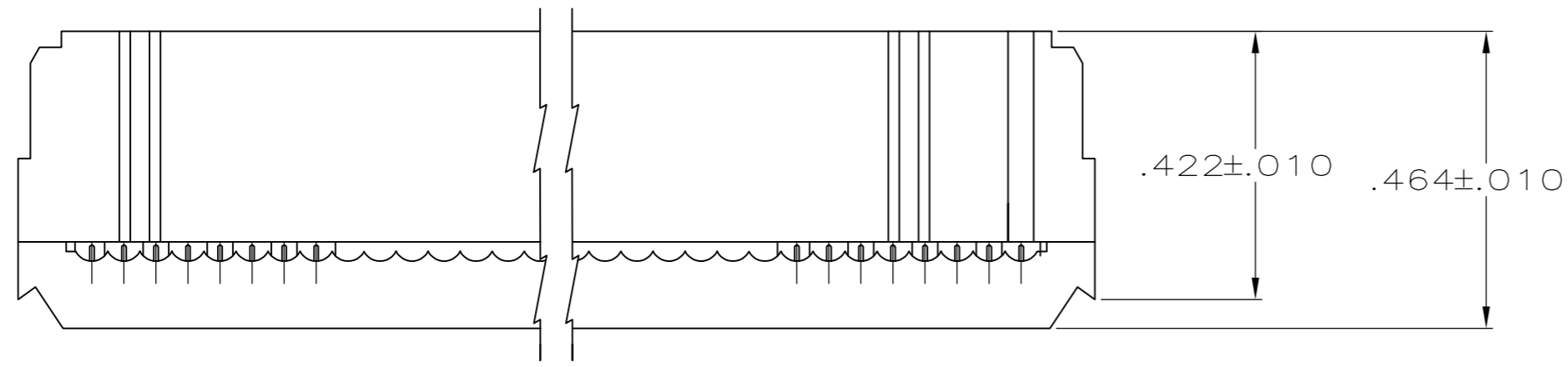
Email & Skype: info@chipsmall.com Web: www.chipsmall.com

Address: A1208, Overseas Decoration Building, #122 Zhenhua RD., Futian, Shenzhen, China



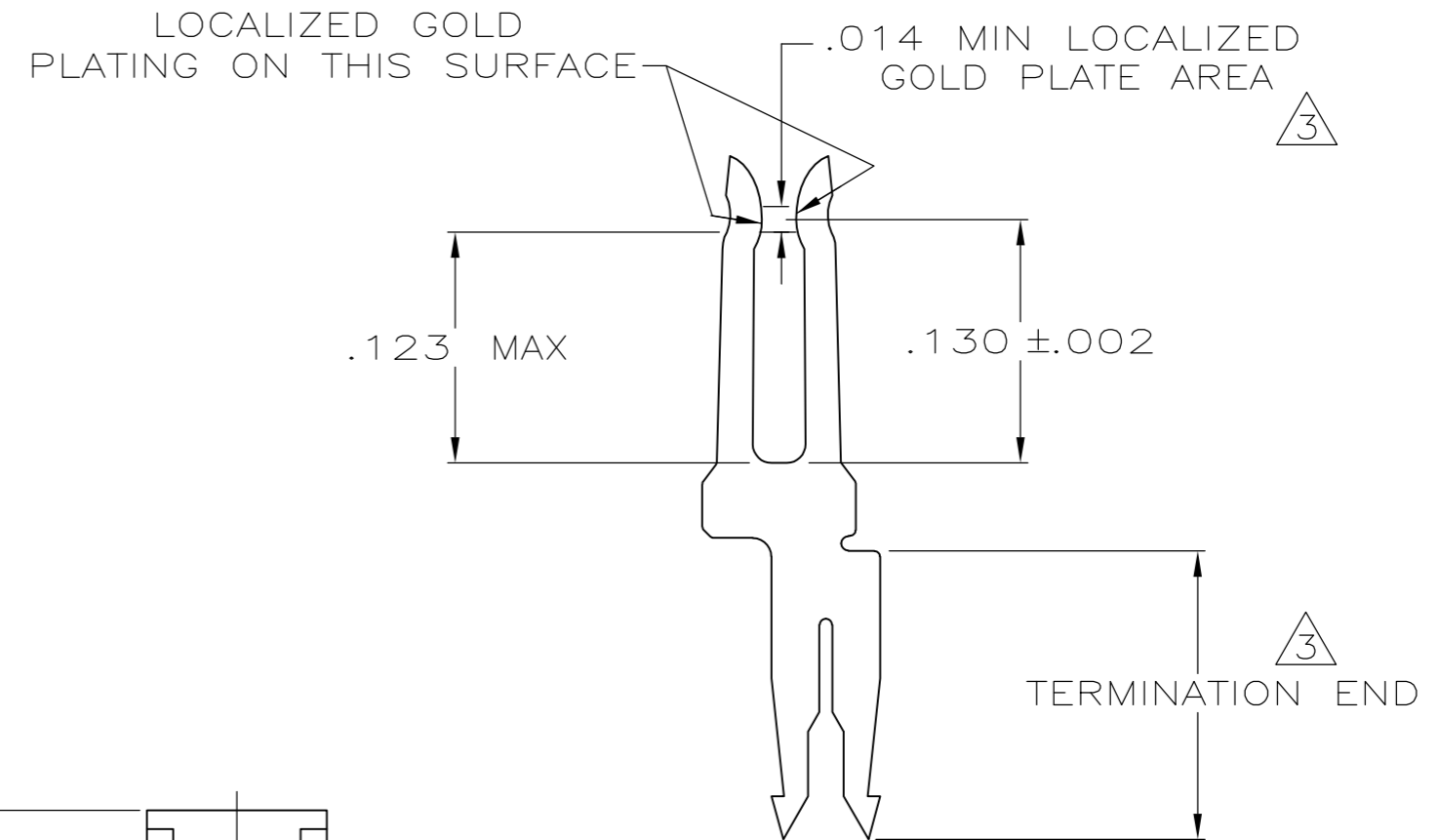
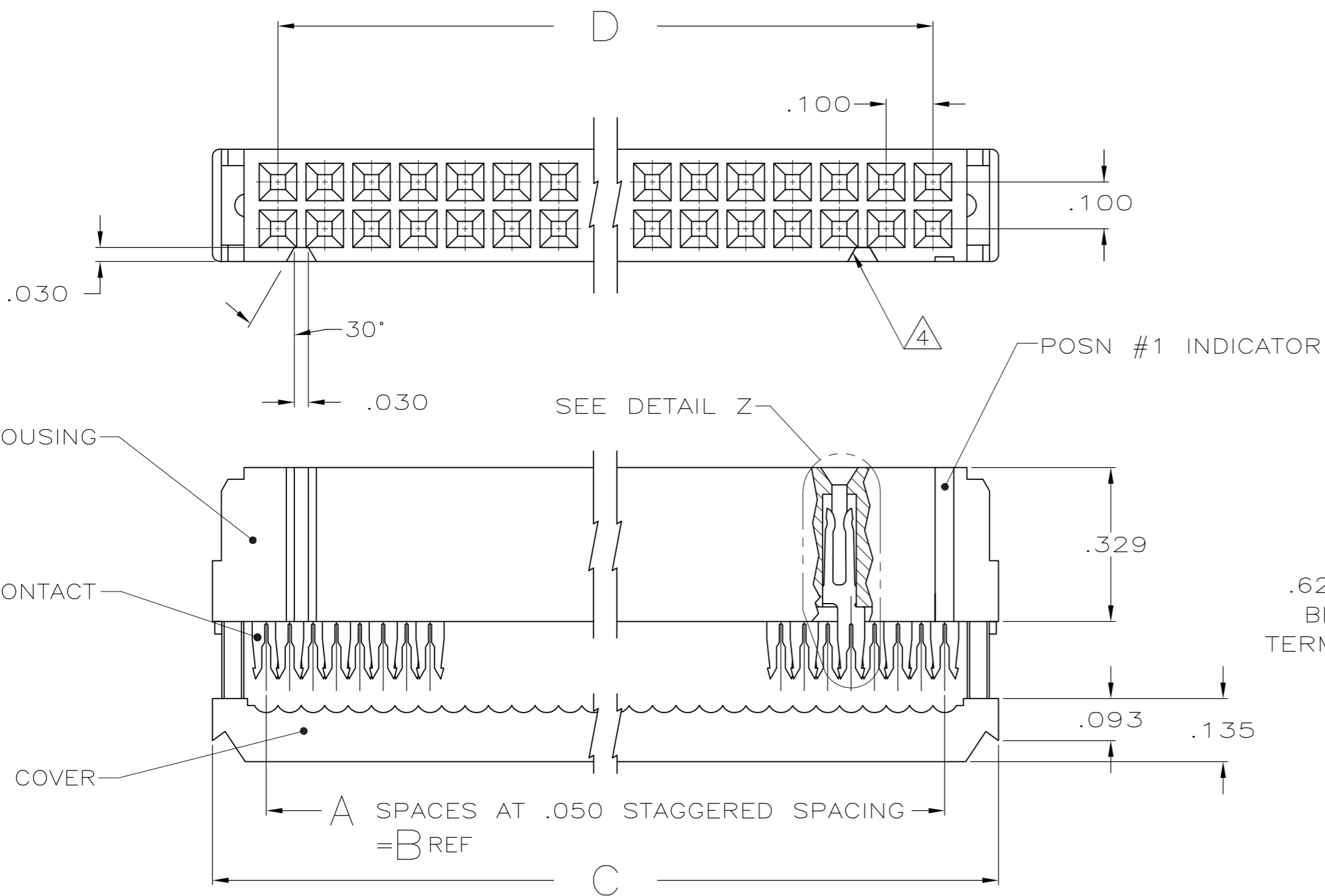
THIS DRAWING IS UNPUBLISHED. RELEASED FOR PUBLICATION
 © COPYRIGHT - By - ALL RIGHTS RESERVED.

| LOC | | DIST | | REVISIONS | | | |
|-----|-----|-------------|---------------------------|-----------|---------|------|-----|
| P | LTR | DESCRIPTION | | DATE | DWN | APVD | |
| GP | 00 | D1 | REVISED PER ECO-11-004835 | | 11MAR11 | RK | HMR |

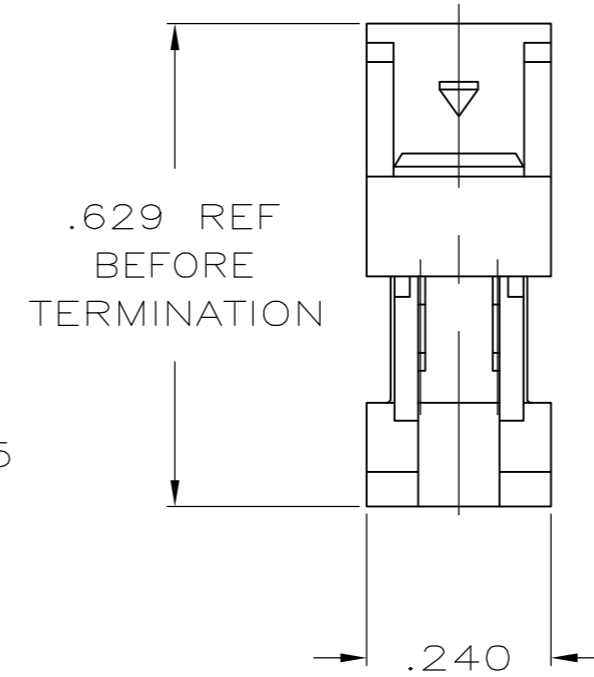


TERMINATED VIEW

- 1 UL RATED 94V-0 THERMOPLASTIC, COLOR: BLACK.
- 2 PHOSPHOR BRONZE PER QQ-B-750.
- 3 PLATED WITH .000015 MIN GOLD IN LOCALIZED GOLD PLATE AREA, .000050 MIN TIN ON TERMINATION END, ALL OVER .000050 MIN NICKEL ON ENTIRE CONTACT.
OR
GOLD FLASH OVER PALLADIUM-NICKEL PLATE .000015 MIN TOTAL IN LOCALIZED GOLD PLATE AREA, .000050 MIN TIN ON TERMINATION END, ALL OVER .000050 MIN NICKEL ON ENTIRE CONTACT.
- 4 POLARIZING FEATURE DOES NOT EXIST ON SAME END AS THE POSN #1 INDICATOR ON 10 AND 14 POSN PRODUCT.



DETAIL Z
SCALE 10:1
TYPICAL



| | D | C | B | A | NO OF POSN | PART NUMBER |
|----------|-------|-------|-------|----|------------|-------------|
| OBSOLETE | 3.100 | 3.380 | 3.150 | 63 | 64 | 1-1658620-2 |
| | 2.900 | 3.180 | 2.950 | 59 | 60 | 1-1658620-1 |
| | 2.400 | 2.680 | 2.450 | 49 | 50 | 1-1658620-0 |
| | 1.900 | 2.180 | 1.950 | 39 | 40 | 1658620-9 |
| | 1.600 | 1.880 | 1.650 | 33 | 34 | 1658620-8 |
| | 1.400 | 1.680 | 1.450 | 29 | 30 | 1658620-7 |
| | 1.200 | 1.480 | 1.250 | 25 | 26 | 1658620-6 |
| | .900 | 1.180 | .950 | 19 | 20 | 1658620-4 |
| | .700 | .980 | .750 | 15 | 16 | 1658620-3 |
| | .600 | .880 | .650 | 13 | 14 | 1658620-2 |
| | .400 | .680 | .450 | 9 | 10 | 1658620-1 |

THIS DRAWING IS A CONTROLLED DOCUMENT.

| | | | | |
|--------------------|--|----------------------------|--|-----------------|
| DIMENSIONS: INCHES | TOLERANCES UNLESS OTHERWISE SPECIFIED: | DWN R. SAMICK 22AUG03 | TE Connectivity | |
| | 0 PLC ± - | CHK C. ROHDE 22AUG03 | RECEPTACLE ASSY, MILITARY POLARIZATION, LEAD FREE, AMP-LATCH™ NOVO | |
| | 1 PLC ± - | APVD M. WALMSLEY 22AUG03 | SIZE A2 | CAGE CODE 00779 |
| | 2 PLC ± - | PRODUCT SPEC 108-40000 | DRAWING NO C=1658620 | RESTRICTED TO - |
| | 3 PLC ± .005 | APPLICATION SPEC 114-40005 | SCALE 4:1 | SHEET 1 OF 1 |
| | 4 PLC ± - | WEIGHT - | REV D1 | |
| | ANGLES ± 5° | CUSTOMER DRAWING | | |
| MATERIAL | FINISH | | | |