



Chipsmall Limited consists of a professional team with an average of over 10 year of expertise in the distribution of electronic components. Based in Hongkong, we have already established firm and mutual-benefit business relationships with customers from,Europe,America and south Asia,supplying obsolete and hard-to-find components to meet their specific needs.

With the principle of "Quality Parts,Customers Priority,Honest Operation,and Considerate Service",our business mainly focus on the distribution of electronic components. Line cards we deal with include Microchip,ALPS,ROHM,Xilinx,Pulse,ON,Everlight and Freescale. Main products comprise IC,Modules,Potentiometer,IC Socket,Relay,Connector.Our parts cover such applications as commercial,industrial, and automotives areas.

We are looking forward to setting up business relationship with you and hope to provide you with the best service and solution. Let us make a better world for our industry!



## Contact us

Tel: +86-755-8981 8866 Fax: +86-755-8427 6832

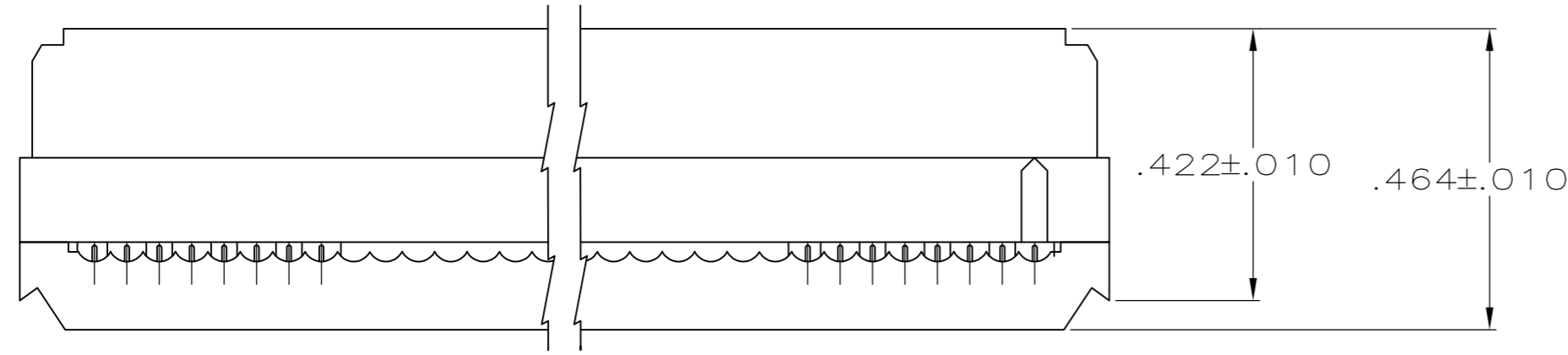
Email & Skype: info@chipsmall.com Web: www.chipsmall.com

Address: A1208, Overseas Decoration Building, #122 Zhenhua RD., Futian, Shenzhen, China

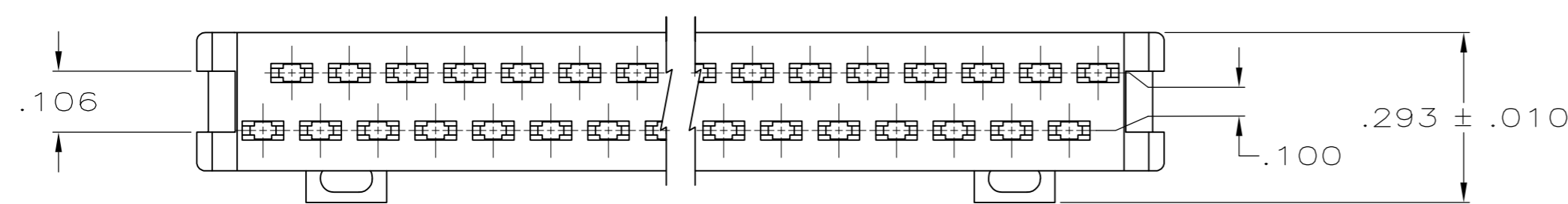
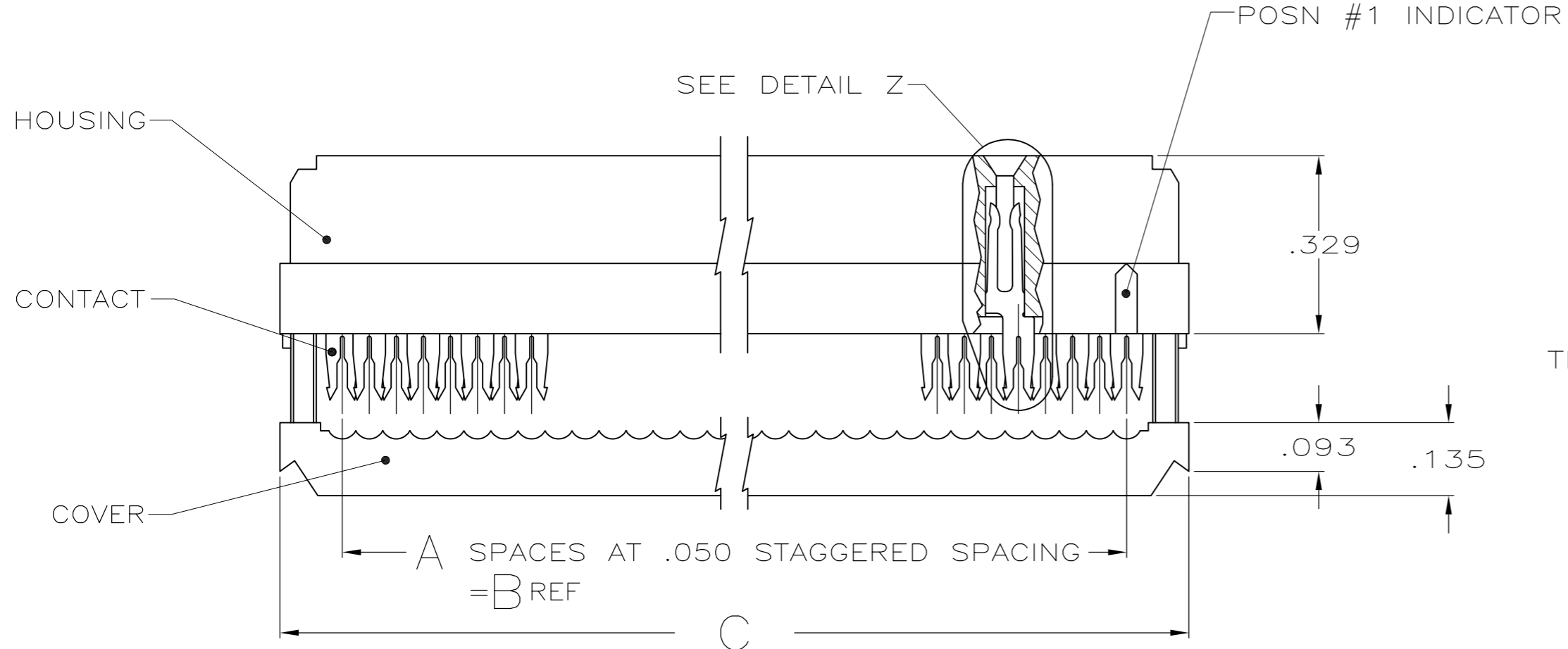
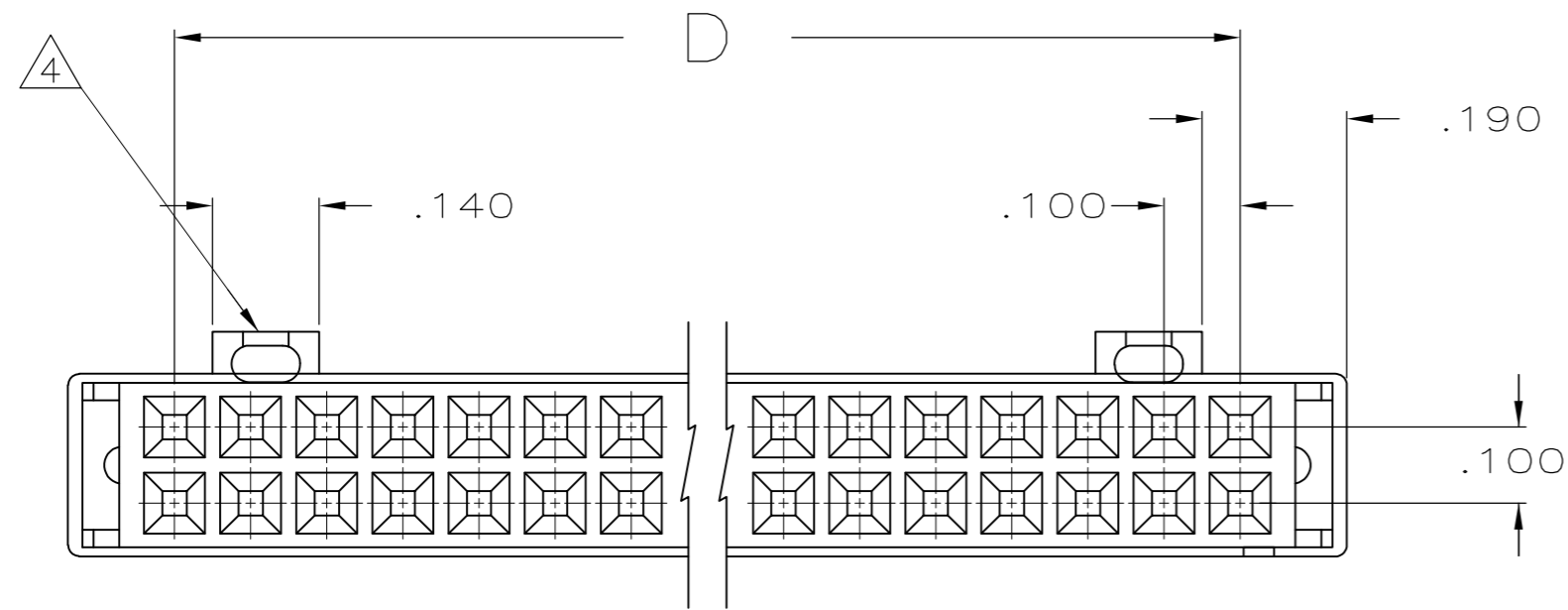


THIS DRAWING IS UNPUBLISHED. RELEASED FOR PUBLICATION  
 © COPYRIGHT - By - ALL RIGHTS RESERVED.

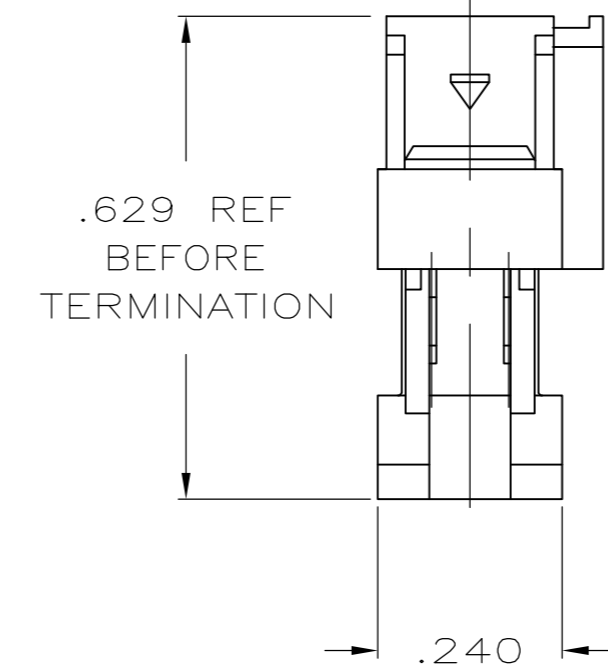
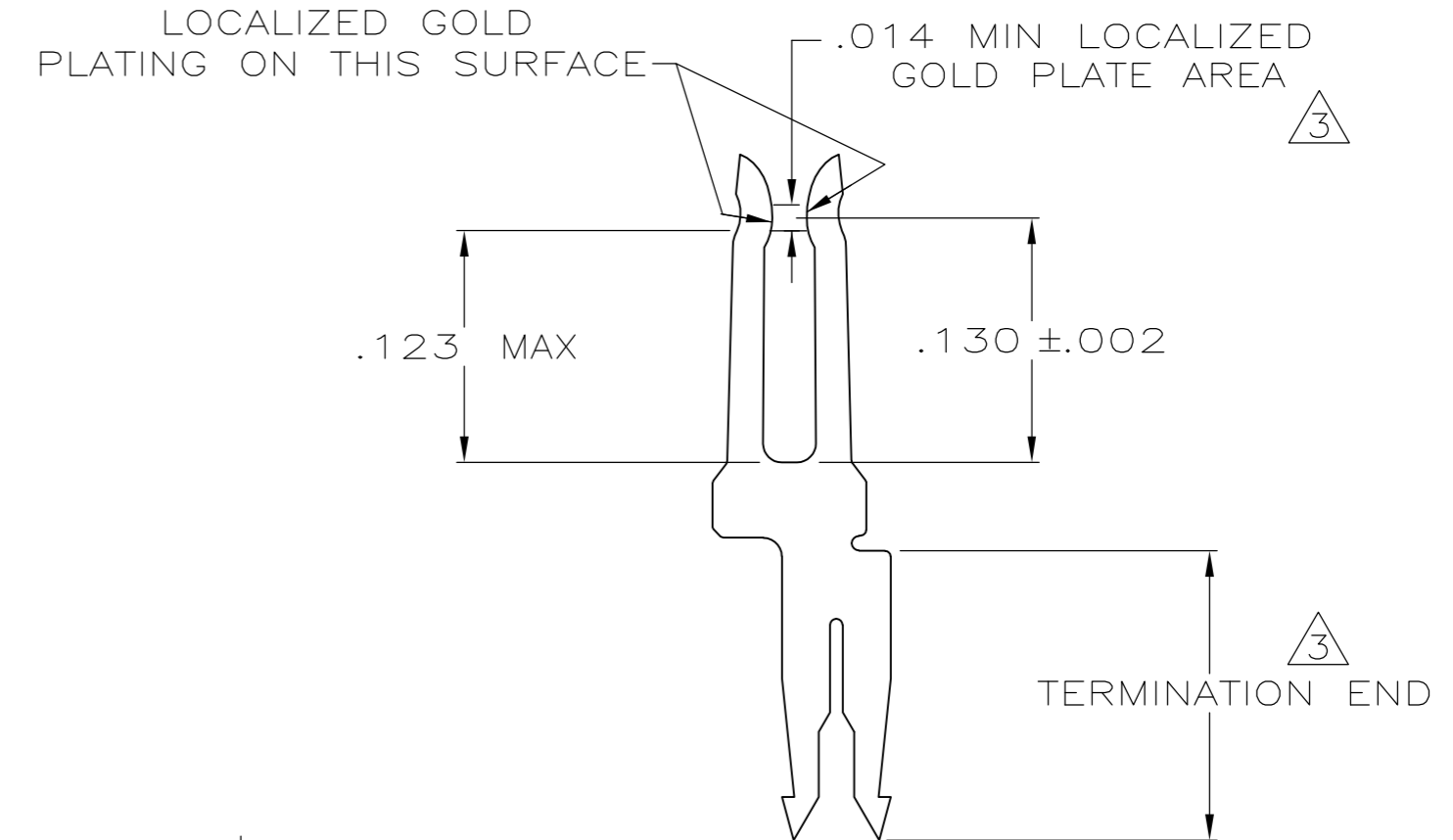
LOC		DIST		REVISIONS			
P	LTR	DESCRIPTION		DATE	DWN	APVD	
GP	00	C1		REVISED PER ECO-11-004835	11MAR11	RK	HMR



TERMINATED VIEW



- ① MOLDED PARTS: UL RATED 94V-0 THERMOPLASTIC, BLACK.
- ② CONTACTS: PHOSPHOR BRONZE PER QQ-B-750.
- ③ CONTACTS: PLATED WITH .000030 MIN GOLD IN LOCALIZED GOLD PLATE AREA, .000050 MIN TIN ON TERMINATION END, ALL OVER .000050 MIN NICKEL ON ENTIRE CONTACT.  
OR  
GOLD FLASH OVER PALLADIUM-NICKEL PLATE .000030 MIN TOTAL IN LOCALIZED GOLD PLATE AREA, .000050 MIN TIN ON TERMINATION END, ALL OVER .000050 MIN NICKEL ON ENTIRE CONTACT.
- ④ POLARIZING FEATURE DOES NOT EXIST ON END OPPOSITE THE POSN #1 INDICATOR ON 10 POSN PRODUCT.



DETAIL Z  
SCALE 10:1  
TYPICAL

2.100	2.380	2.150	43	44	1-1658624-3
3.100	3.380	3.150	63	64	1-1658624-2
2.400	2.680	2.450	49	50	1-1658624-0
1.900	2.180	1.950	39	40	1658624-9
1.600	1.880	1.650	33	34	1658624-8
1.400	1.680	1.450	29	30	1658624-7
1.200	1.480	1.250	25	26	1658624-6
1.100	1.380	1.150	23	24	1658624-5
.900	1.180	.950	19	20	1658624-4
.700	.980	.750	15	16	1658624-3
.600	.880	.650	13	14	1658624-2
.400	.680	.450	9	10	1658624-1
D	C	B	A	NO OF POSN	PART NUMBER

THIS DRAWING IS A CONTROLLED DOCUMENT.

DIMENSIONS: INCHES	TOLERANCES UNLESS OTHERWISE SPECIFIED:	DWN R. SAMICK 25AUG03		TE Connectivity		
	0 PLC ± -	CHK C. ROHDE 25AUG03		RECEPTACLE ASSY, DUAL BAR POLARIZATION, LEAD FREE, AMP-LATCH™ NOVO		
	1 PLC ± -	APVD M. WALMSLEY 25AUG03		SIZE A2	CAGE CODE 00779	DRAWING NO C=1658624
	2 PLC ± -	PRODUCT SPEC 108-40000		RESTRICTED TO	-	
MATERIAL SEE NOTES	FINISH SEE NOTES	APPLICATION SPEC 114-40005	SCALE 4:1	SHEET 1 of 1	REV C1	