



Chipsmall Limited consists of a professional team with an average of over 10 year of expertise in the distribution of electronic components. Based in Hongkong, we have already established firm and mutual-benefit business relationships with customers from,Europe,America and south Asia,supplying obsolete and hard-to-find components to meet their specific needs.

With the principle of “Quality Parts,Customers Priority,Honest Operation,and Considerate Service”,our business mainly focus on the distribution of electronic components. Line cards we deal with include Microchip,ALPS,ROHM,Xilinx,Pulse,ON,Everlight and Freescale. Main products comprise IC,Modules,Potentiometer,IC Socket,Relay,Connector.Our parts cover such applications as commercial,industrial, and automotives areas.

We are looking forward to setting up business relationship with you and hope to provide you with the best service and solution. Let us make a better world for our industry!



Contact us

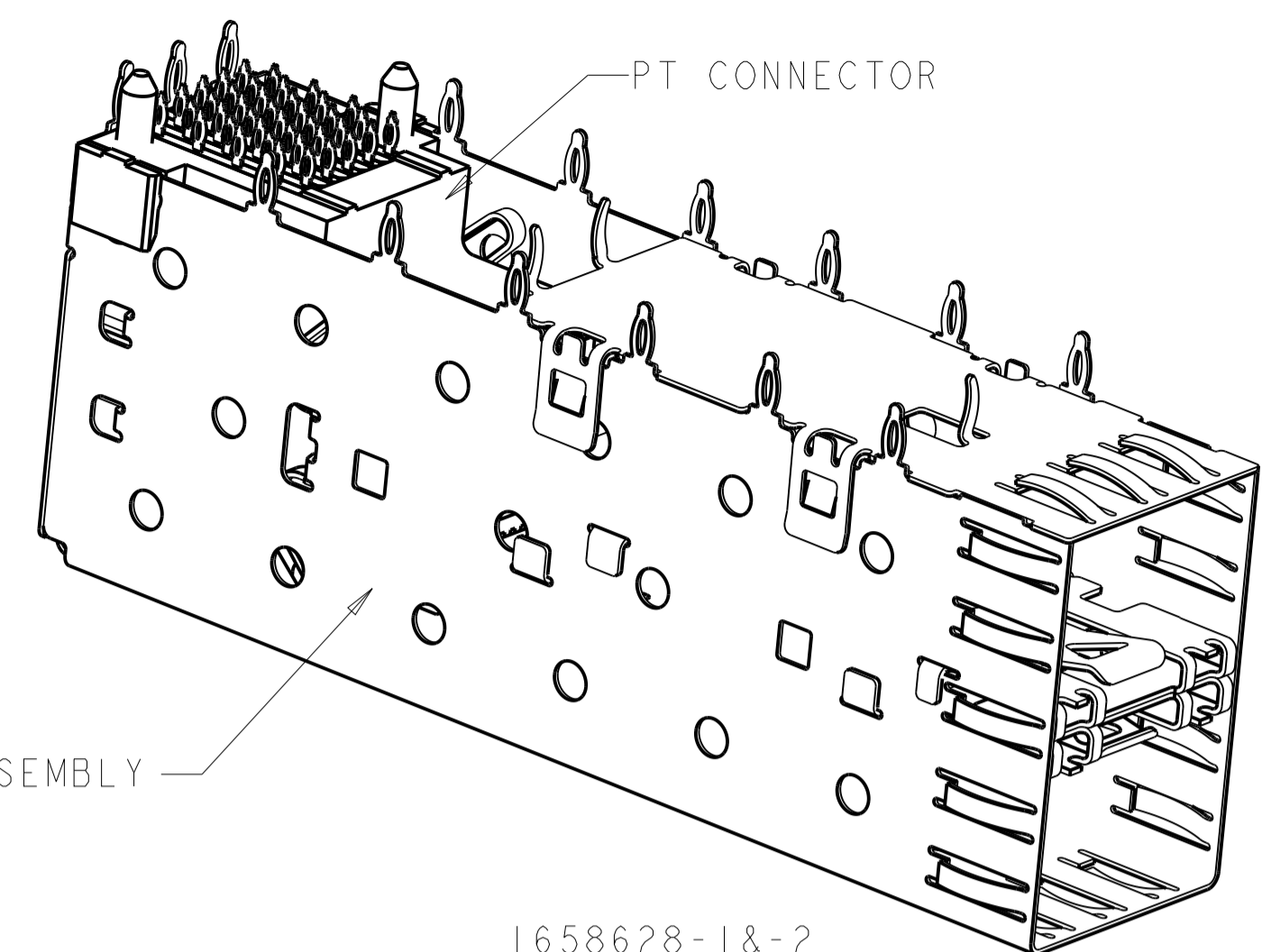
Tel: +86-755-8981 8866 Fax: +86-755-8427 6832

Email & Skype: info@chipsmall.com Web: www.chipsmall.com

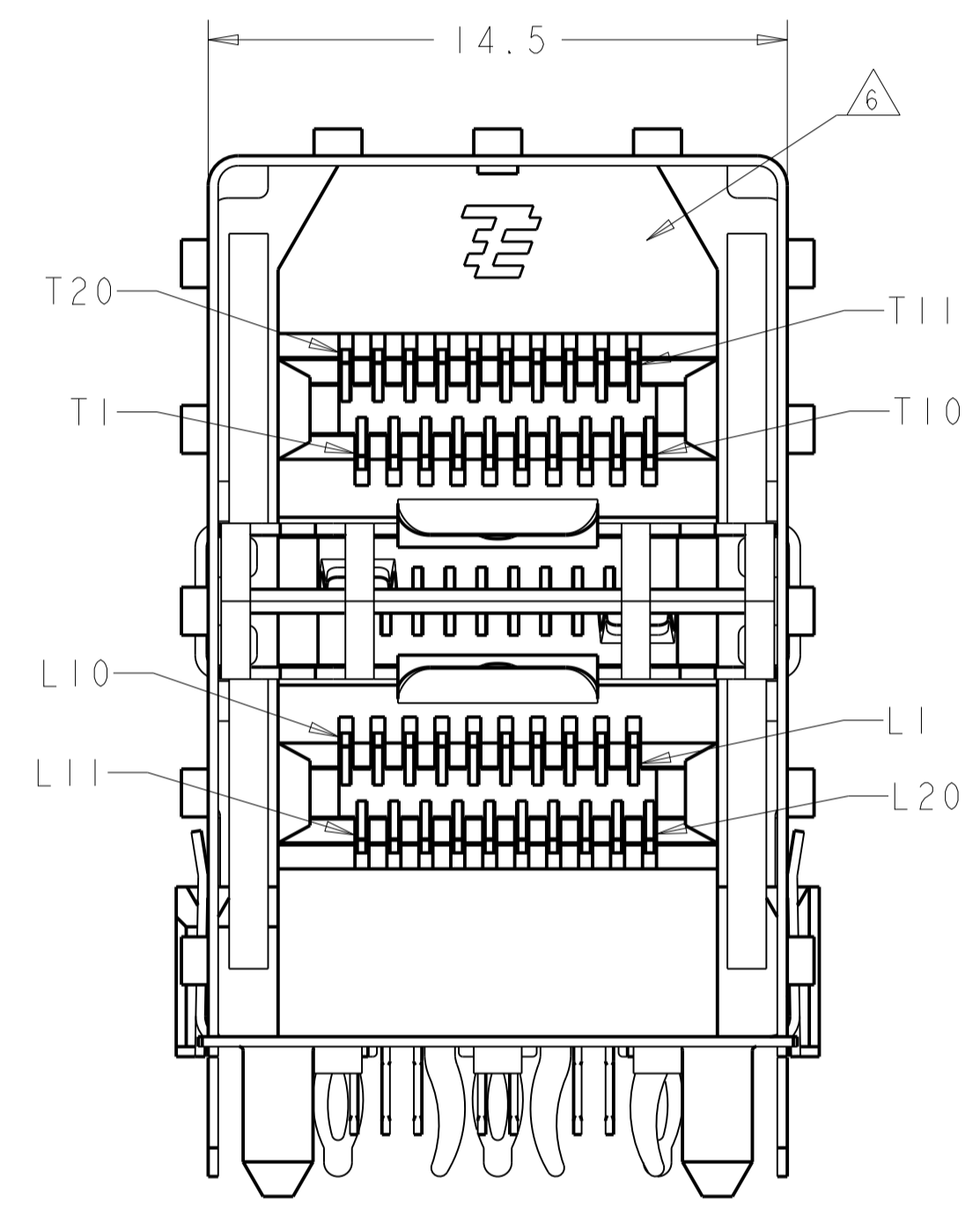
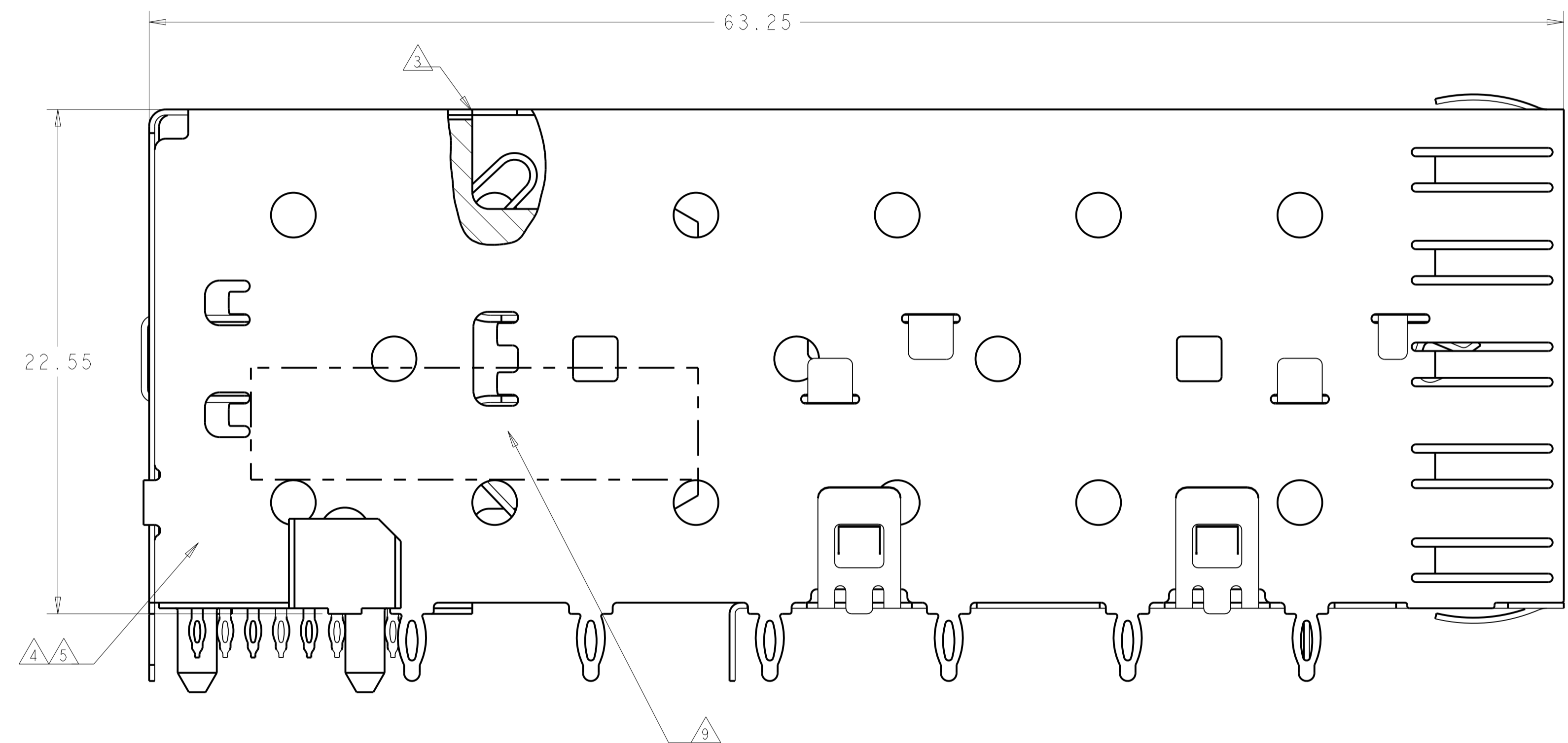
Address: A1208, Overseas Decoration Building, #122 Zhenhua RD., Futian, Shenzhen, China



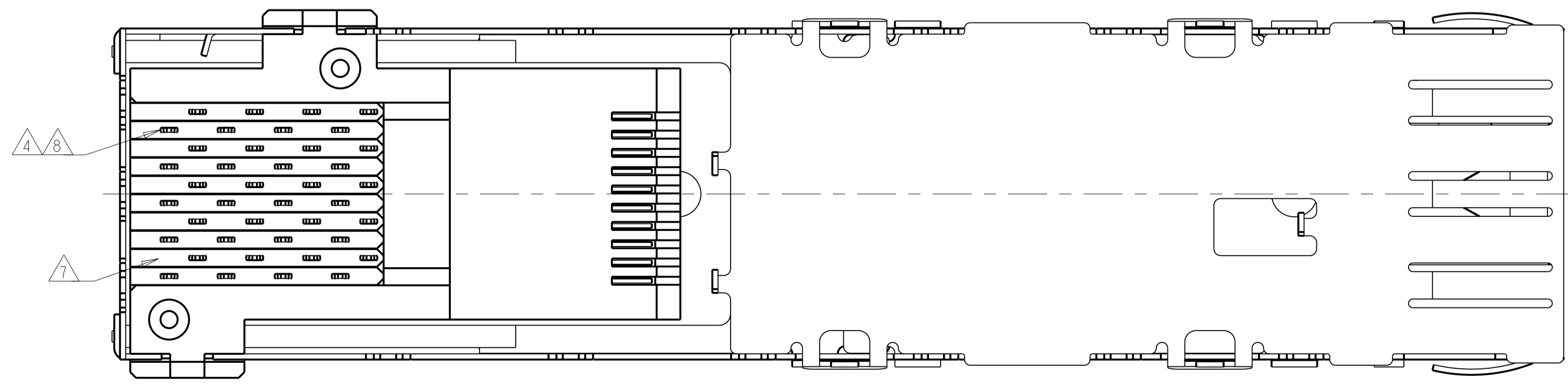
LOC	DIST	REVISIONS			
		REV	DATE	BY	CHKD
ES	00	F1	18MAR2011	RK	HMR
		G	20FEB2014	JW	SH
		G1	11JUL2014	JW	SH



1658628-18-2
 SCALE 3:1



- ① DATUM AND BASIC DIMENSION TO BE DETERMINED BY CUSTOMER.
- ② INTERPRETATION OF DATUM REFERENCE FRAME IN ACCORDANCE WITH SECT 4.4.1.1 OF ASME Y14.5M-1994.
- ③ TOP OF PT CONNECTOR TO BE 0-0.15 FROM INSIDE SURFACE OF CAGE.
- ④ COPPER ALLOY.
- ⑤ 1.25umMIN TIN PER ASTM B 545 OVER NICKEL FLASH PER QQ-N-290. NON-PLATED EDGES PERMISSIBLE.
- ⑥ LCP, HIGH TEMPERATURE, UL 94V-0 RATED, BLACK.
- ⑦ POLYESTER, UL 94V-0 RATED, BLACK.
- ⑧ CONTACT MATING AREA: SURFACE TREATMENT OVER 0.76um MIN GOLD PER ASTM B 488 OVER 1.27um MIN NICKEL PER QQ-N-290. NEEDLE EYE: 1.25um MIN TIN PER ASTM B 545 OVER 1.27um MIN NICKEL PER QQ-N-290. REMAINDER OF CONTACT: 0.76um MIN NICKEL PER QQ-N-290.
- ⑨ DATE CODE AND PART NUMBER IN APPROXIMATE AREA SHOWN.
- ⑩ MATERIAL: NICKEL SILVER ALLOY(NO PLATING)



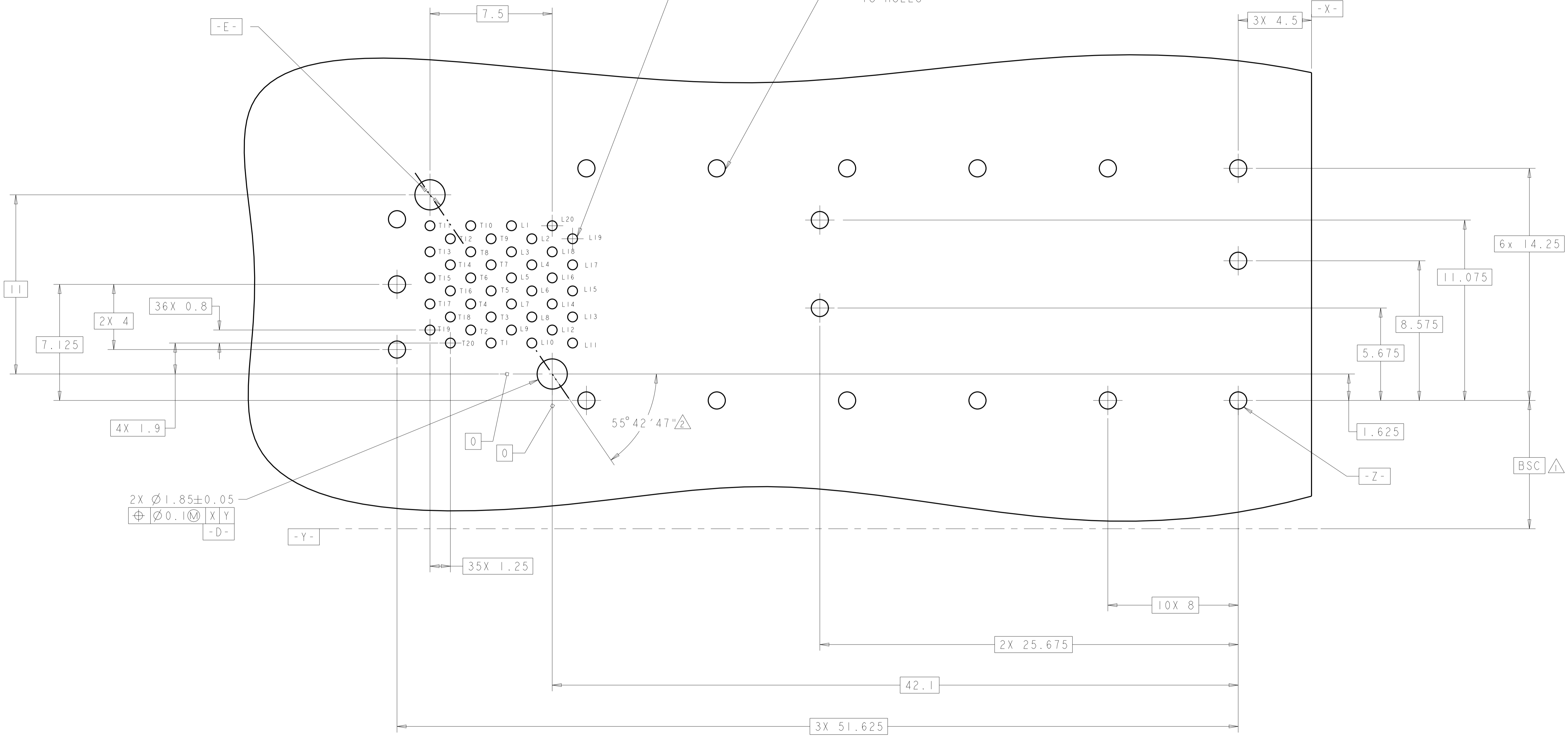
⑧	④, ⑦	NO	⑩	1658628-2
CONNECTOR FINISH	CONNECTOR MATERIAL	CAGE FINISH	CAGE MATERIAL	PART NUMBER
⑧	④, ⑦	⑤	④	1658628-1
CONNECTOR FINISH	CONNECTOR MATERIAL	CAGE FINISH	CAGE MATERIAL	PART NUMBER

THIS DRAWING IS A CONTROLLED DOCUMENT.		OWN	17APR03	TE Connectivity	
TOLERANCES UNLESS OTHERWISE SPECIFIED:		CHK	23JAN04	NAME	
DIMENSIONS:		APVD	23JAN04	CAGE AND PT CONNECTOR ASSEMBLY, 2x1, PRESS FIT, LOW PROFILE, SFP	
mm	0 PLC ±	PRODUCT SPEC		SIZE CAGE CODE DRAWING NO	
	2 PLC ±0.1	108-2161		RESTRICTED TO	
	3 PLC ±	APPLICATION SPEC		A100779C=1658628	
	4 PLC ±	114-13103		SCALE 6:1 SHEET 1 OF 3 REV G1	
	ANGLES ±	WEIGHT			
MATERIAL FINISH	CUSTOMER DRAWING				

LOC	DIST	REVISIONS			
ES	00	REV	DATE	BY	APPV
-	-	SEE SHEET 1	-	-	-

THE HOLE SIZE IS RECOMMENDED ON THE
 PAGE 4 (TOP OF FIGURE2 FOR CONNECTOR)
 OF THE TE DOCUMENT 114-13103
 $\text{H} \text{ } \phi 0.08 \text{ } \text{M} \text{ } \text{D} \text{ } \text{S} \text{ } \text{E} \text{ } \text{S}$
 40 HOLES

THE HOLE SIZE IS RECOMMENDED ON THE
 PAGE 4 (BOTTOM OF FIGURE2 FOR CAGE ASSEMBLY)
 OF THE TE DOCUMENT 114-13103
 $\text{H} \text{ } \phi 0.1 \text{ } \text{M} \text{ } \text{Z} \text{ } \text{S}$
 18 HOLES

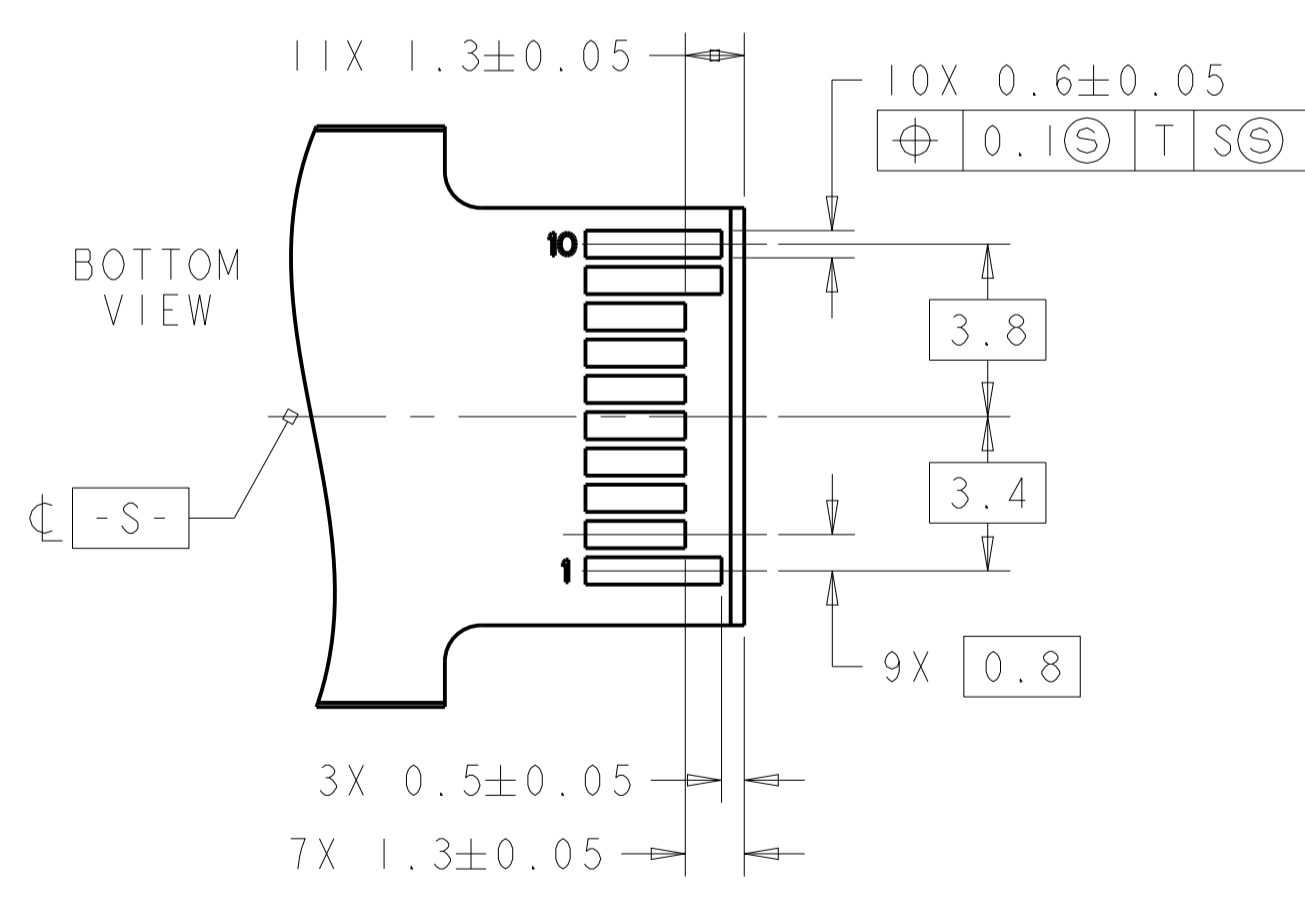
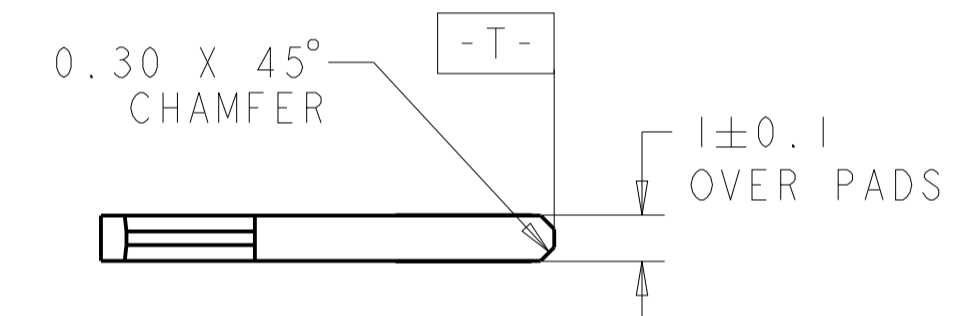
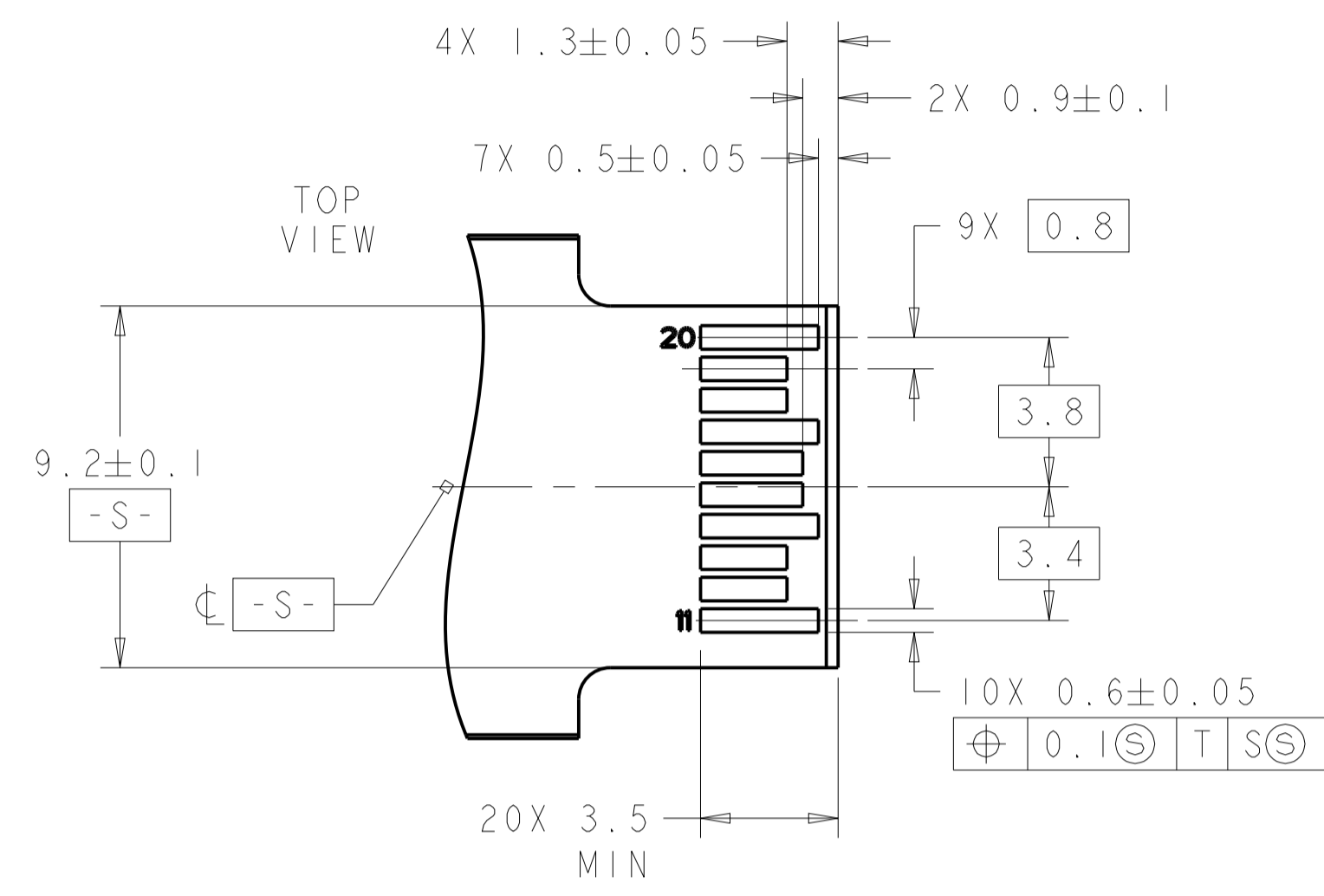


2X $\phi 1.85 \pm 0.05$
 $\text{H} \text{ } \phi 0.1 \text{ } \text{M} \text{ } \text{X} \text{ } \text{Y}$
 -D-

SFP HOST BOARD
 MECHANICAL LAYOUT
 SCALE 8:1

THIS DRAWING IS A CONTROLLED DOCUMENT.		OWN: R. HENRY 11APR03		TE Connectivity
DIMENSIONS: mm		CHK: J. KOPPENHEFFER 23JAN04		NAME: CAGE AND PT CONNECTOR ASSEMBLY, 2x1, PRESS FIT, LOW PROFILE, SFP
TOLERANCES UNLESS OTHERWISE SPECIFIED:		APV: M. WALMSLEY 23JAN04	SIZE: A1 00779 C=1658628	
0 PLC ±		PRODUCT SPEC: 108-2161	RESTRICTED TO: -	
1 PLC ±0.1		APPLICATION SPEC: 114-13103	SCALE: 6:1 SHEET 2 OF 3 REV: G1	
2 PLC ±		WEIGHT: -	CUSTOMER DRAWING	
3 PLC ±		FINISH: -		
4 PLC ±				
ANGLES ±				

LOC		DIST		REVISIONS			
ES	00	P	LTN	DESCRIPTION	DATE	DWN	APVD
		-		SEE SHEET 1	-	-	-



RECOMMENDED LAYOUT FOR
 MATING TRANSCEIVER PCB
 SCALE 6:1

THIS DRAWING IS A CONTROLLED DOCUMENT.		DWN R. HENRY	11APR03		TE Connectivity
DIMENSIONS:		CHK J. KOPPENHEFFER	23JAN04		
mm	TOLERANCES UNLESS OTHERWISE SPECIFIED:	APVD M. WALMSLEY	23JAN04	NAME CAGE AND PT CONNECTOR ASSEMBLY, 2x1, PRESS FIT, LOW PROFILE, SFP	
	0 PLC ±	PRODUCT SPEC		SIZE CAGE CODE DRAWING NO	
	1 PLC ±0.1	APPLICATION SPEC		RESTRICTED TO	
	2 PLC ±	114-13103		A100779C=1658628	
	3 PLC ±	WEIGHT		SCALE 1:1 SHEET 3 OF 3 REV G1	
	4 PLC ±	CUSTOMER DRAWING			
	ANGLES ±				
MATERIAL	FINISH				