



Chipsmall Limited consists of a professional team with an average of over 10 year of expertise in the distribution of electronic components. Based in Hongkong, we have already established firm and mutual-benefit business relationships with customers from,Europe,America and south Asia,supplying obsolete and hard-to-find components to meet their specific needs.

With the principle of “Quality Parts,Customers Priority,Honest Operation,and Considerate Service”,our business mainly focus on the distribution of electronic components. Line cards we deal with include Microchip,ALPS,ROHM,Xilinx,Pulse,ON,Everlight and Freescale. Main products comprise IC,Modules,Potentiometer,IC Socket,Relay,Connector.Our parts cover such applications as commercial,industrial, and automotives areas.

We are looking forward to setting up business relationship with you and hope to provide you with the best service and solution. Let us make a better world for our industry!



Contact us

Tel: +86-755-8981 8866 Fax: +86-755-8427 6832

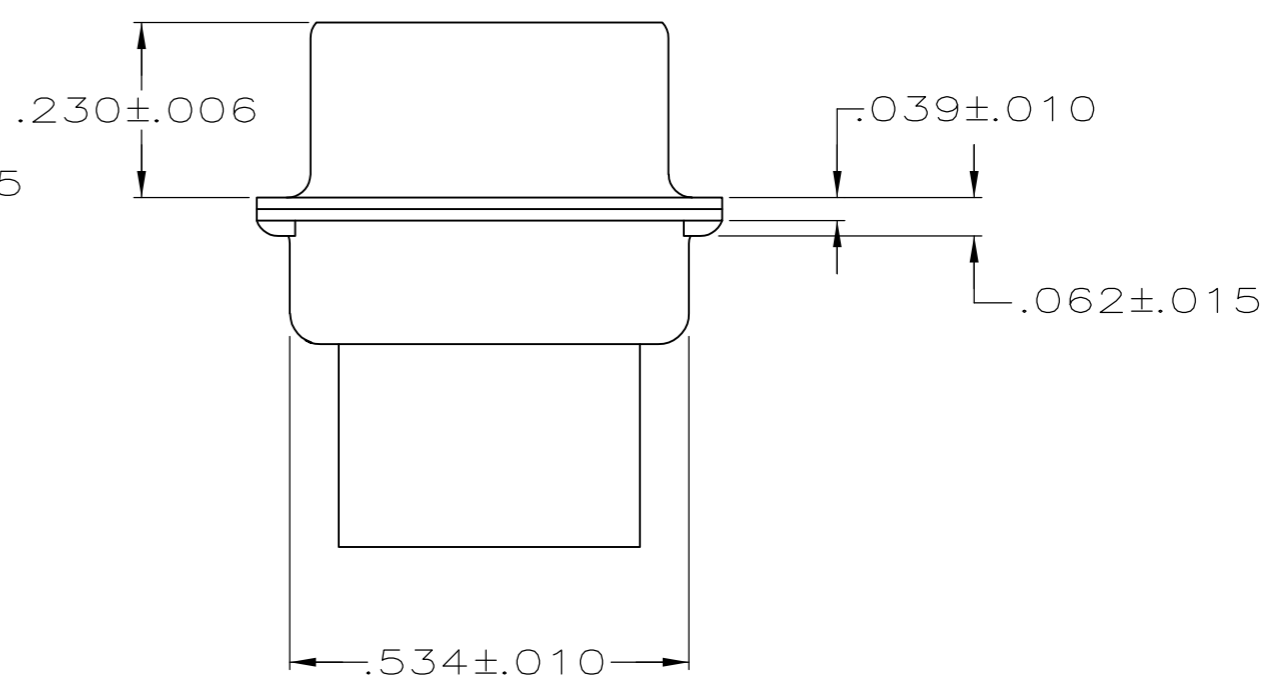
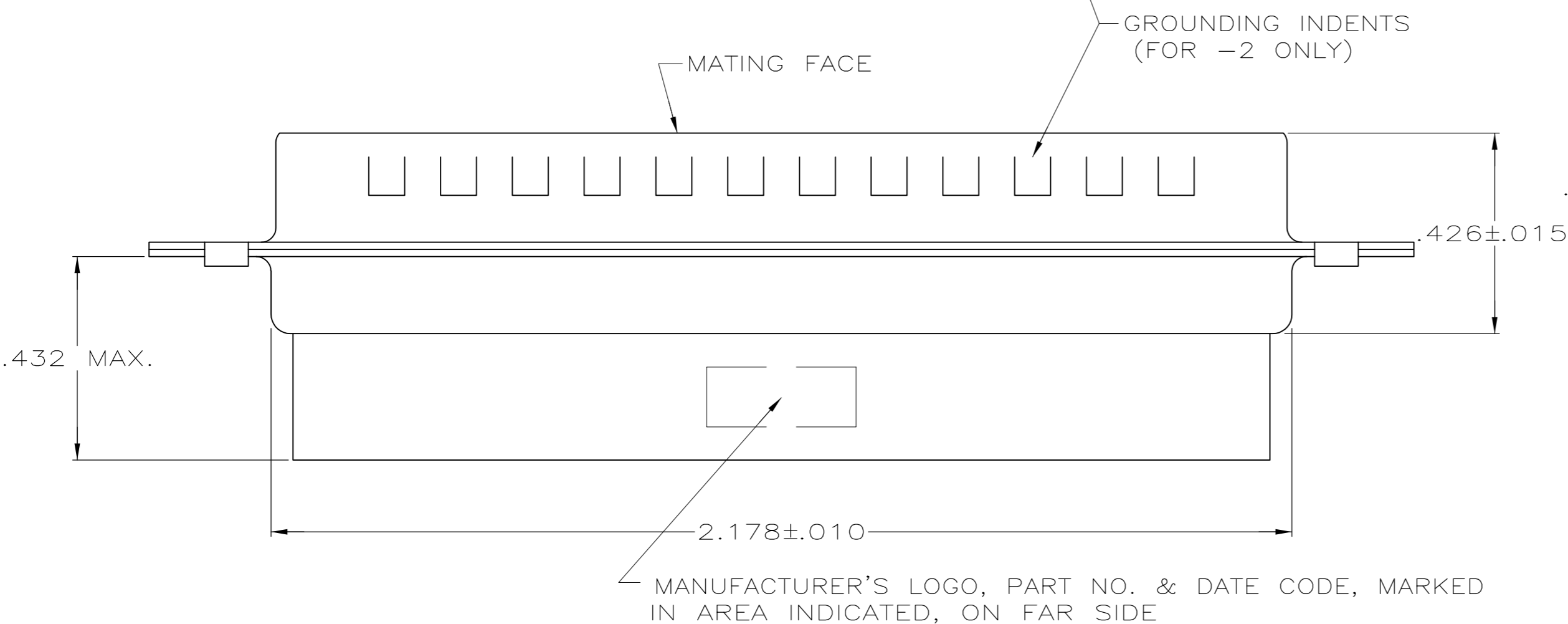
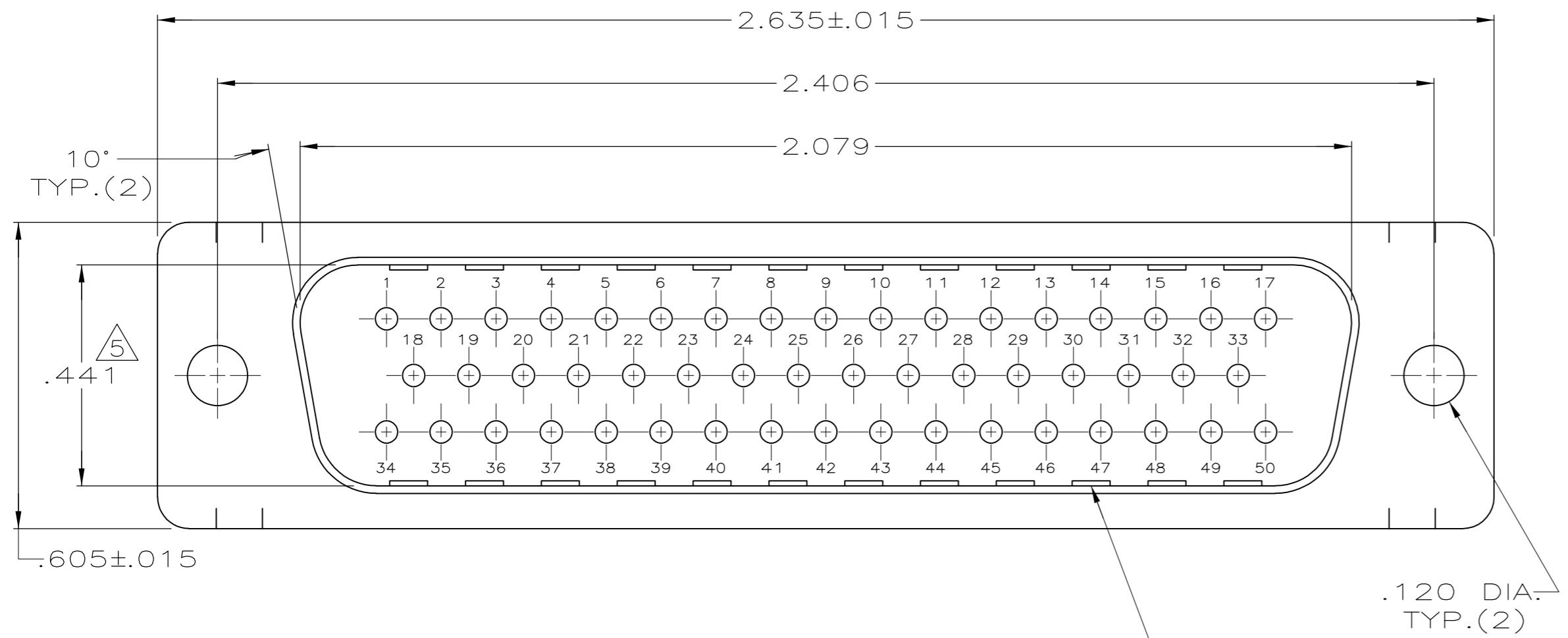
Email & Skype: info@chipsmall.com Web: www.chipsmall.com

Address: A1208, Overseas Decoration Building, #122 Zhenhua RD., Futian, Shenzhen, China



THIS DRAWING IS UNPUBLISHED. RELEASED FOR PUBLICATION
 © COPYRIGHT - By - ALL RIGHTS RESERVED.

LOC		DIST		REVISIONS			
GP	00	P	LTR	DESCRIPTION	DATE	DWN	APVD
		D		REVISED PER ECO-11-002006	11APR2011	CJV	CWR



- CONNECTOR ACCEPTS SIZE 20 DF PIN CONTACTS, RETENTION TINES ARE AN INTEGRAL PART OF INSERT.
- 2** MATERIAL: MOLDED PARTS - FLAME RETARDANT 94V-0 RATED, GLASS FILLED NYLON, BLACK. SHELLS - STEEL PER ASTM A109.
- 3** FINISH: SHELL - .000200 MIN TIN PLATE OVER .000100 MIN COPPER UNDERPLATE.
- 4** FINISH: SHELL - ZINC PLATED .000200-.000400 THICK, YELLOW CHROMATE COATING.
- 5** THIS DIMENSION IS .441±.010 FOR -2.

STANDARD	4	NO	1658641-3
STANDARD	3	YES	1658641-2
STANDARD	3	NO	1658641-1
PACKAGING TYPE	FINISH	GROUNDING INDENTS	PART NO.

THIS DRAWING IS A CONTROLLED DOCUMENT.		DWN	J.REITZEL	29JUL03		TE Connectivity		
DIMENSIONS: INCHES		CHK	S.BOLASH	29JUL03		NAME		
TOLERANCES UNLESS OTHERWISE SPECIFIED:		APVD	M.WALMSLEY	29JUL03		PLUG CONNECTOR, SIZE 5, 50 POS., AMPLIMITE™ HDP		
0 PLC ± - 1 PLC ± - 2 PLC ± - 3 PLC ± .005 4 PLC ± - ANGLES ± 2°		PRODUCT SPEC	108-40005			SIZE	CAGE CODE	DRAWING NO
MATERIAL	FINISH	APPLICATION SPEC	114-40030		SCALE	SHEET 1 of 1		
2	SEE TABLE	WEIGHT	-		RESTRICTED TO	-		
CUSTOMER DRAWING			SCALE 4:1		REV D			

1658641