



Chipsmall Limited consists of a professional team with an average of over 10 year of expertise in the distribution of electronic components. Based in Hongkong, we have already established firm and mutual-benefit business relationships with customers from,Europe,America and south Asia,supplying obsolete and hard-to-find components to meet their specific needs.

With the principle of “Quality Parts,Customers Priority,Honest Operation,and Considerate Service”,our business mainly focus on the distribution of electronic components. Line cards we deal with include Microchip,ALPS,ROHM,Xilinx,Pulse,ON,Everlight and Freescale. Main products comprise IC,Modules,Potentiometer,IC Socket,Relay,Connector.Our parts cover such applications as commercial,industrial, and automotives areas.

We are looking forward to setting up business relationship with you and hope to provide you with the best service and solution. Let us make a better world for our industry!



## Contact us

Tel: +86-755-8981 8866 Fax: +86-755-8427 6832

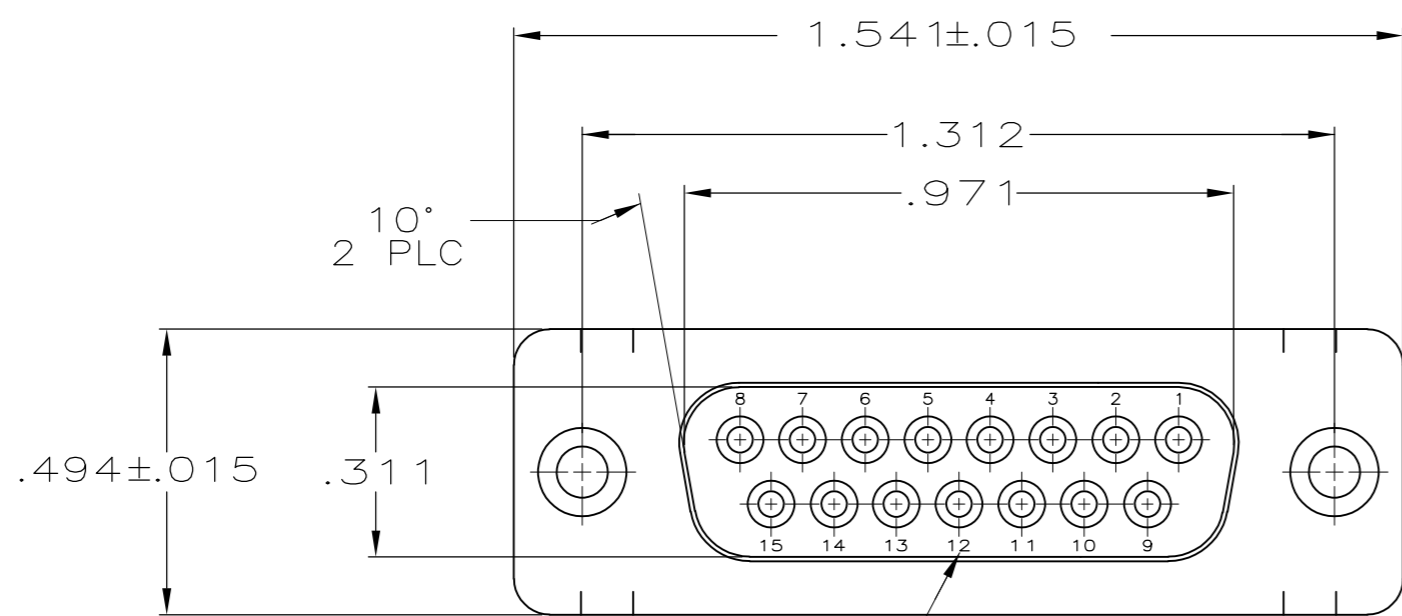
Email & Skype: info@chipsmall.com Web: www.chipsmall.com

Address: A1208, Overseas Decoration Building, #122 Zhenhua RD., Futian, Shenzhen, China

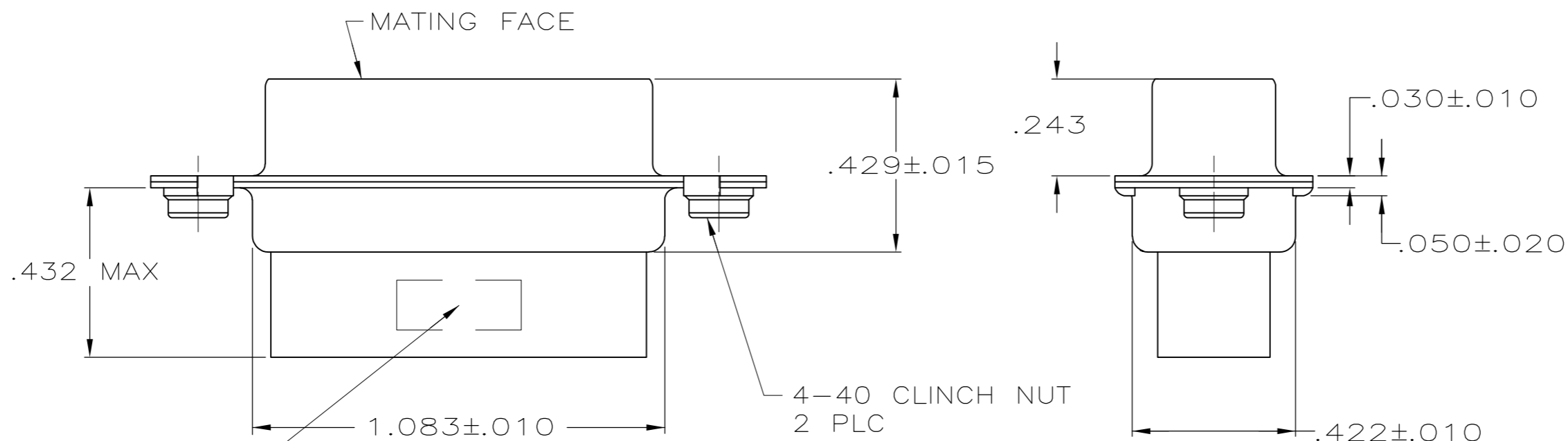


THIS DRAWING IS UNPUBLISHED. RELEASED FOR PUBLICATION  
 © COPYRIGHT BY TYCO ELECTRONICS CORPORATION. ALL RIGHTS RESERVED.

LOC		DIST		REVISIONS			
P	LTR	DESCRIPTION	DATE	DWN	APVD		
GP	00	01	REVISED PER ECO-07-007540	21JUN07	JDP/CWR		



RAISED CAVITY IDENTIFICATION



- 1. CONNECTOR ACCEPTS SIZE 20 DF SOCKET CONTACTS, RETENTION TINES ARE AN INTEGRAL PART OF INSERT.
- △ MOLDED PARTS:  
FLAME RETARDANT 94V-0 RATED THERMOPLASTIC; BLACK.
- △ SHELLS: STEEL PER ASTM A109.
- △ .000200 MIN TIN PLATE OVER  
.000100 MIN COPPER UNDERPLATE.

1658644-1  
PART NO.

THIS DRAWING IS A CONTROLLED DOCUMENT.		DWN J.REITZEL 30JUL03	Tyco Electronics Corporation Harrisburg, PA 17105-3608	
DIMENSIONS: INCHES		CHK S.BOLASH 30JUL03	NAME RECEPTACLE CONNECTOR, SIZE 2, 15 POSN, WITH CLINCH NUTS, AMPLIMITE HDP	
TOLERANCES UNLESS OTHERWISE SPECIFIED:		APVD M.WALMSLEY 30JUL03	SIZE A2	CAGE CODE 00779
0 PLC ± - 1 PLC ± - 2 PLC ± - 3 PLC ± .005 4 PLC ± - ANGLES ± 2°		PRODUCT SPEC 108-40005	DRAWING NO C=1658644	RESTRICTED TO -
MATERIAL △ 2 △ 3		FINISH △ 4	WEIGHT -	SCALE 4:1
CUSTOMER DRAWING			SHEET 1 of 1	REV 01