



Chipsmall Limited consists of a professional team with an average of over 10 year of expertise in the distribution of electronic components. Based in Hongkong, we have already established firm and mutual-benefit business relationships with customers from,Europe,America and south Asia,supplying obsolete and hard-to-find components to meet their specific needs.

With the principle of "Quality Parts,Customers Priority,Honest Operation,and Considerate Service",our business mainly focus on the distribution of electronic components. Line cards we deal with include Microchip,ALPS,ROHM,Xilinx,Pulse,ON,Everlight and Freescale. Main products comprise IC,Modules,Potentiometer,IC Socket,Relay,Connector.Our parts cover such applications as commercial,industrial, and automotives areas.

We are looking forward to setting up business relationship with you and hope to provide you with the best service and solution. Let us make a better world for our industry!



Contact us

Tel: +86-755-8981 8866 Fax: +86-755-8427 6832

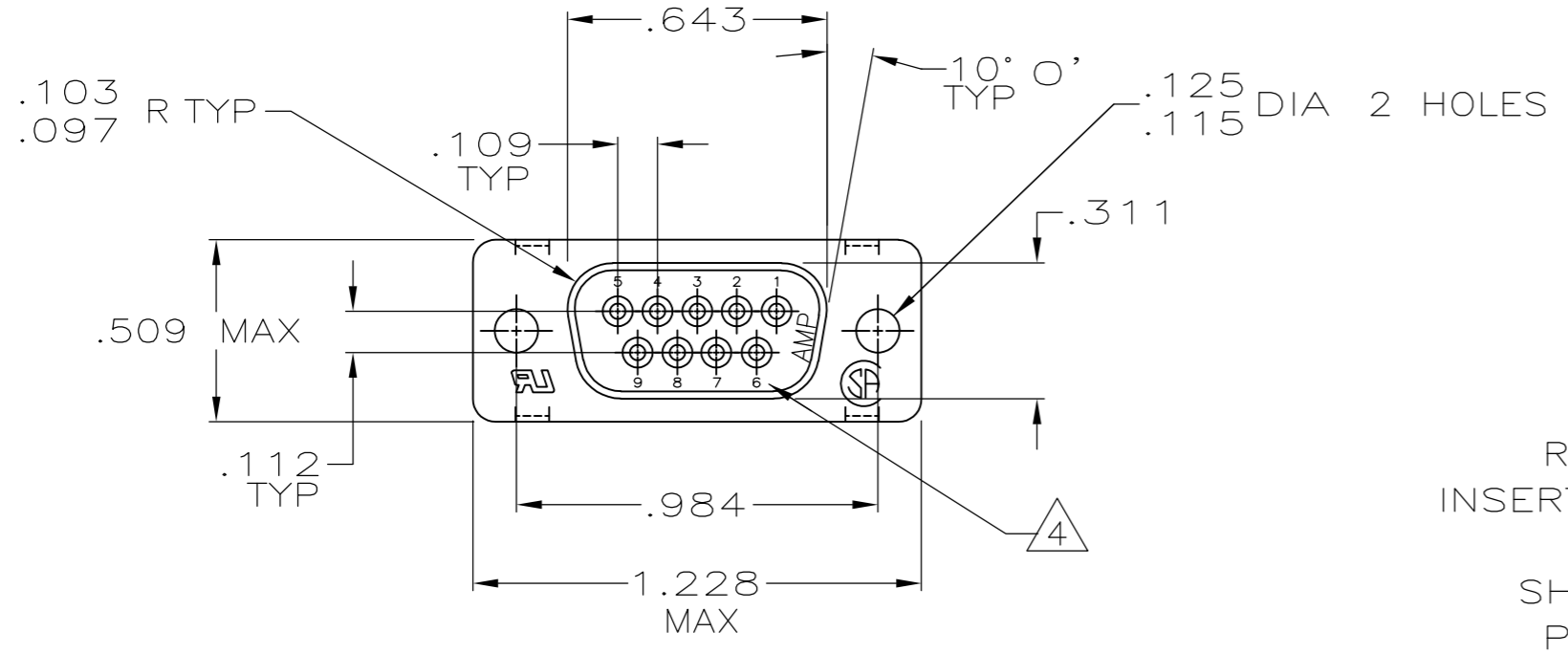
Email & Skype: info@chipsmall.com Web: www.chipsmall.com

Address: A1208, Overseas Decoration Building, #122 Zhenhua RD., Futian, Shenzhen, China

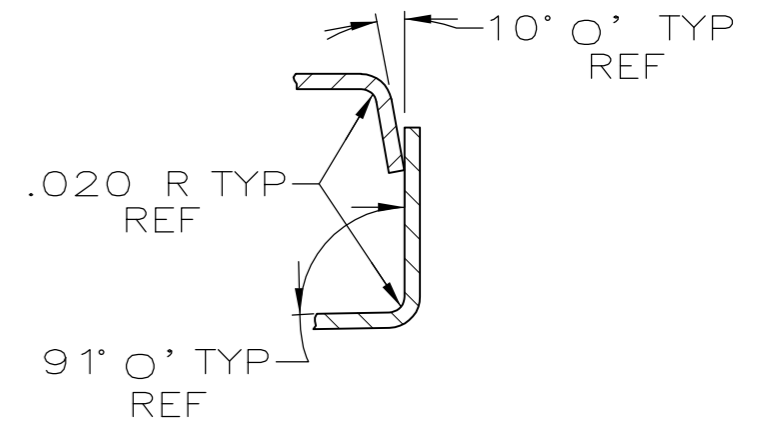


THIS DRAWING IS UNPUBLISHED. RELEASED FOR PUBLICATION
 © COPYRIGHT - By - ALL RIGHTS RESERVED.

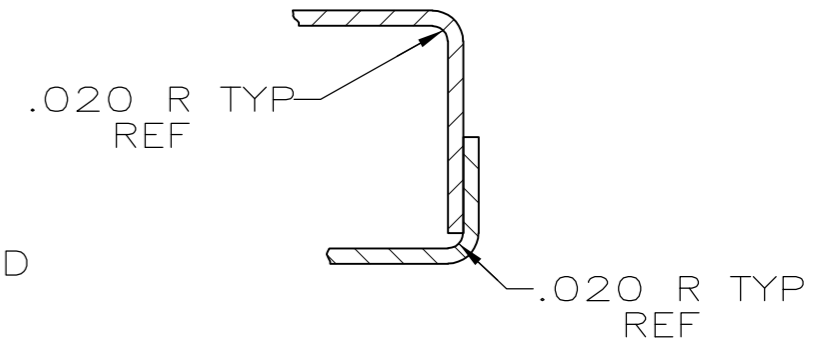
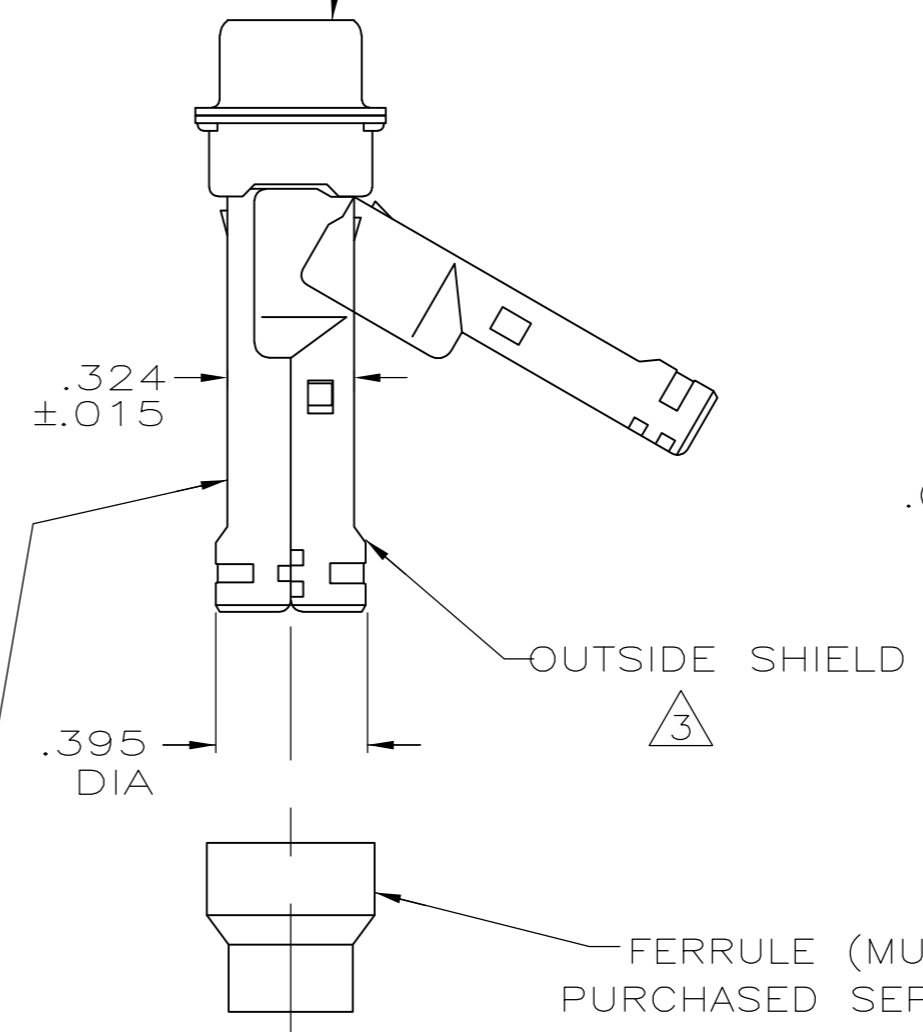
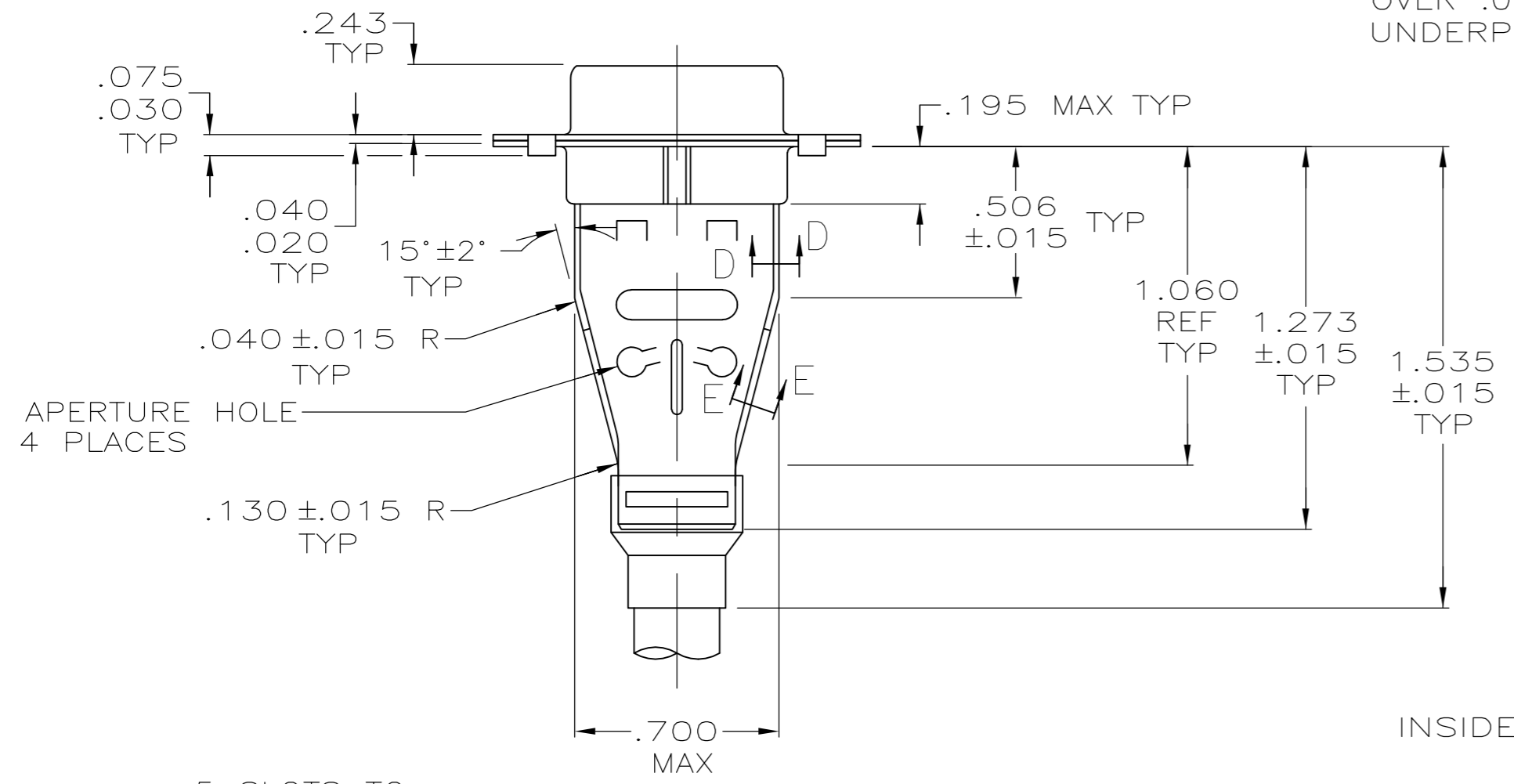
LOC	DIST	REVISIONS					
GP	00	P	LTR	DESCRIPTION	DATE	DWN	APVD
		P		REVISED PER ECO-11-004835	11MAR11	RK	HMR



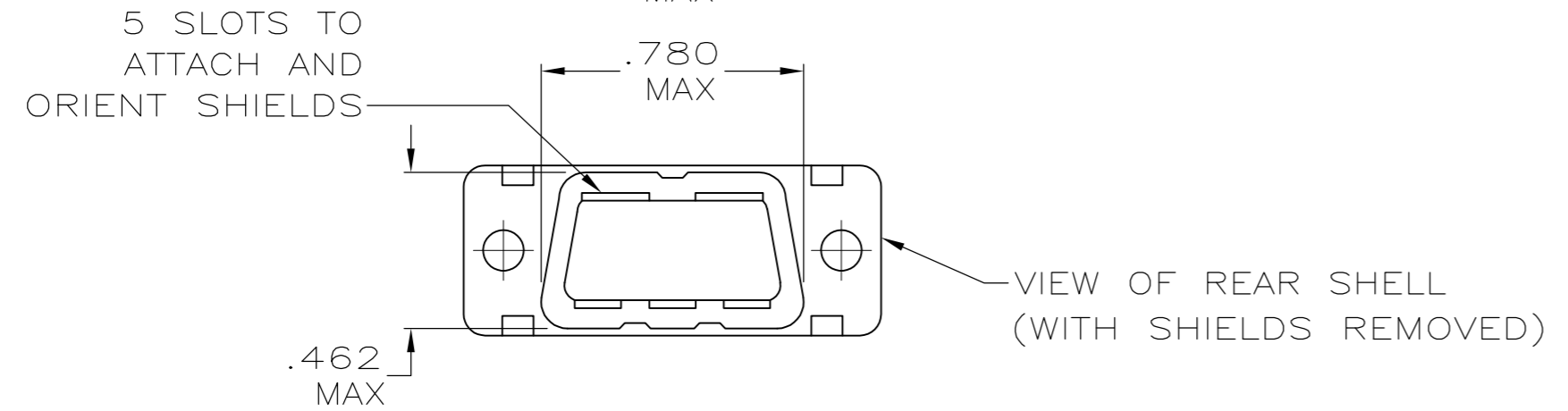
RECEPTACLE CONNECTOR ¹
 INSERT: BLACK GLASS FILLED NYLON
 94 V-O RATED
 SHELL: STEEL PER ASTM A109
 PLATED, .000200 MIN TIN
 OVER .000100 MIN COPPER
 UNDERPLATE.



SECTION D-D
SCALE 4:1



SECTION E-E
SCALE 4:1



VIEW OF REAR SHELL
(WITH SHIELDS REMOVED)

- ¹ RECEPTACLE ACCEPTS SIZE 20 SOCKET CONTACTS (CONTACTS ORDERED SEPARATELY)
- 2 ALL PARTS SHIPPED UNASSEMBLED, EACH PART INDIVIDUALLY BULK PACKED.
- ³ SHIELDS: MATERIAL-.020 THICK STEEL, PER ASTM A109, PLATED .000200 MIN TIN OVER .000100 MIN COPPER UNDERPLATE.
- ⁴ RAISED CAVITY IDENTIFICATION AND AMP TRADEMARK.

1658646-1
PART NUMBER

THIS DRAWING IS A CONTROLLED DOCUMENT.		DWN J.REITZEL 30JUL03		
DIMENSIONS: INCHES		CHK S.BOLASH 30JUL03		
TOLERANCES UNLESS OTHERWISE SPECIFIED:		APVD M.WALMSLEY 30JUL03	NAME	
0 PLC ± -		PRODUCT SPEC	KIT, RCPT, SHIELDING HARDWARE, SIZE 1, 9 POSITION, AMPLIMIT TM HDP-20	
1 PLC ± -		APPLICATION SPEC	SIZE	CAGE CODE
2 PLC ± -			A2	00779
3 PLC ± .005			DRAWING NO	RESTRICTED TO
4 PLC ± -			C=1658646	-
ANGLES ± 0° 30'		WEIGHT	SCALE	SHEET
MATERIAL SEE CALL OUT ³	FINISH SEE CALL OUT ³	-	2:1	1 of 1
CUSTOMER DRAWING		REV P		