



Chipsmall Limited consists of a professional team with an average of over 10 year of expertise in the distribution of electronic components. Based in Hongkong, we have already established firm and mutual-benefit business relationships with customers from,Europe,America and south Asia,supplying obsolete and hard-to-find components to meet their specific needs.

With the principle of “Quality Parts,Customers Priority,Honest Operation,and Considerate Service”,our business mainly focus on the distribution of electronic components. Line cards we deal with include Microchip,ALPS,ROHM,Xilinx,Pulse,ON,Everlight and Freescale. Main products comprise IC,Modules,Potentiometer,IC Socket,Relay,Connector.Our parts cover such applications as commercial,industrial, and automotives areas.

We are looking forward to setting up business relationship with you and hope to provide you with the best service and solution. Let us make a better world for our industry!



## Contact us

Tel: +86-755-8981 8866 Fax: +86-755-8427 6832

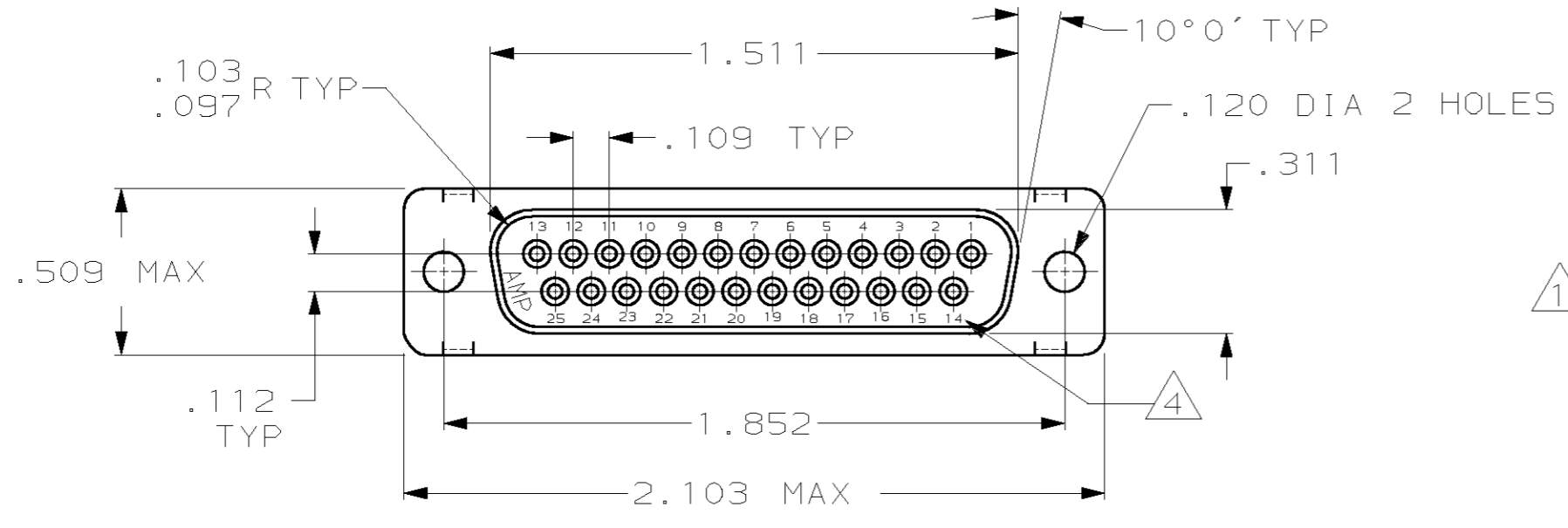
Email & Skype: info@chipsmall.com Web: www.chipsmall.com

Address: A1208, Overseas Decoration Building, #122 Zhenhua RD., Futian, Shenzhen, China

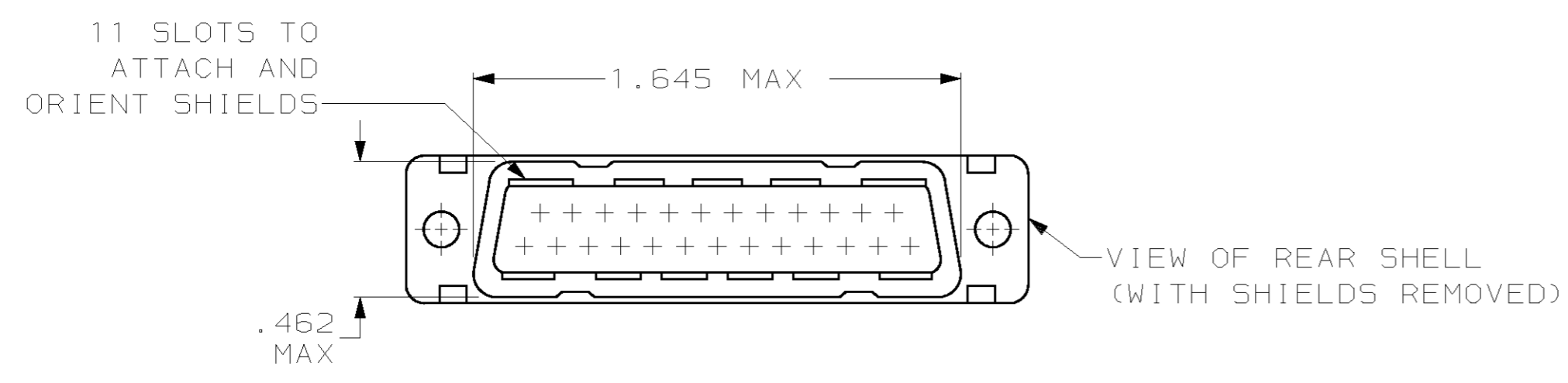
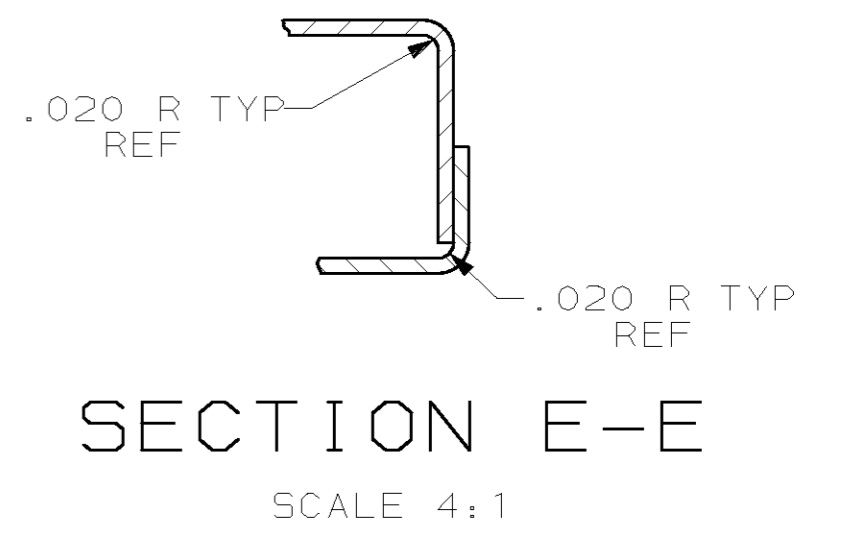
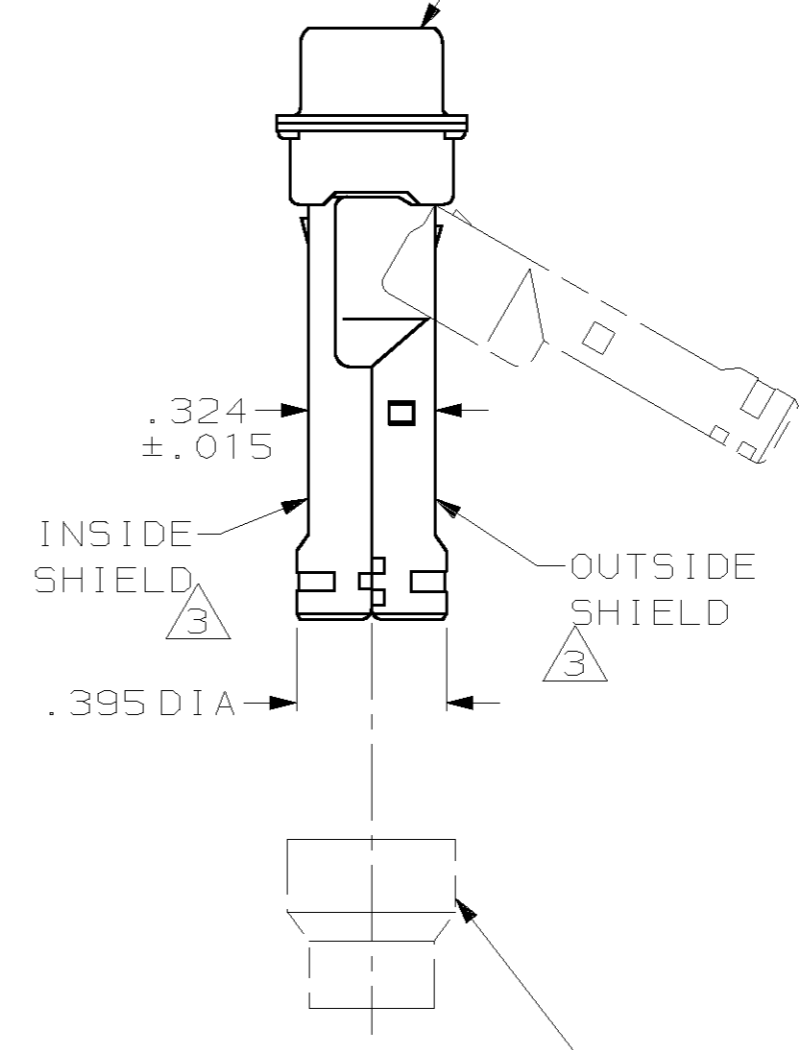
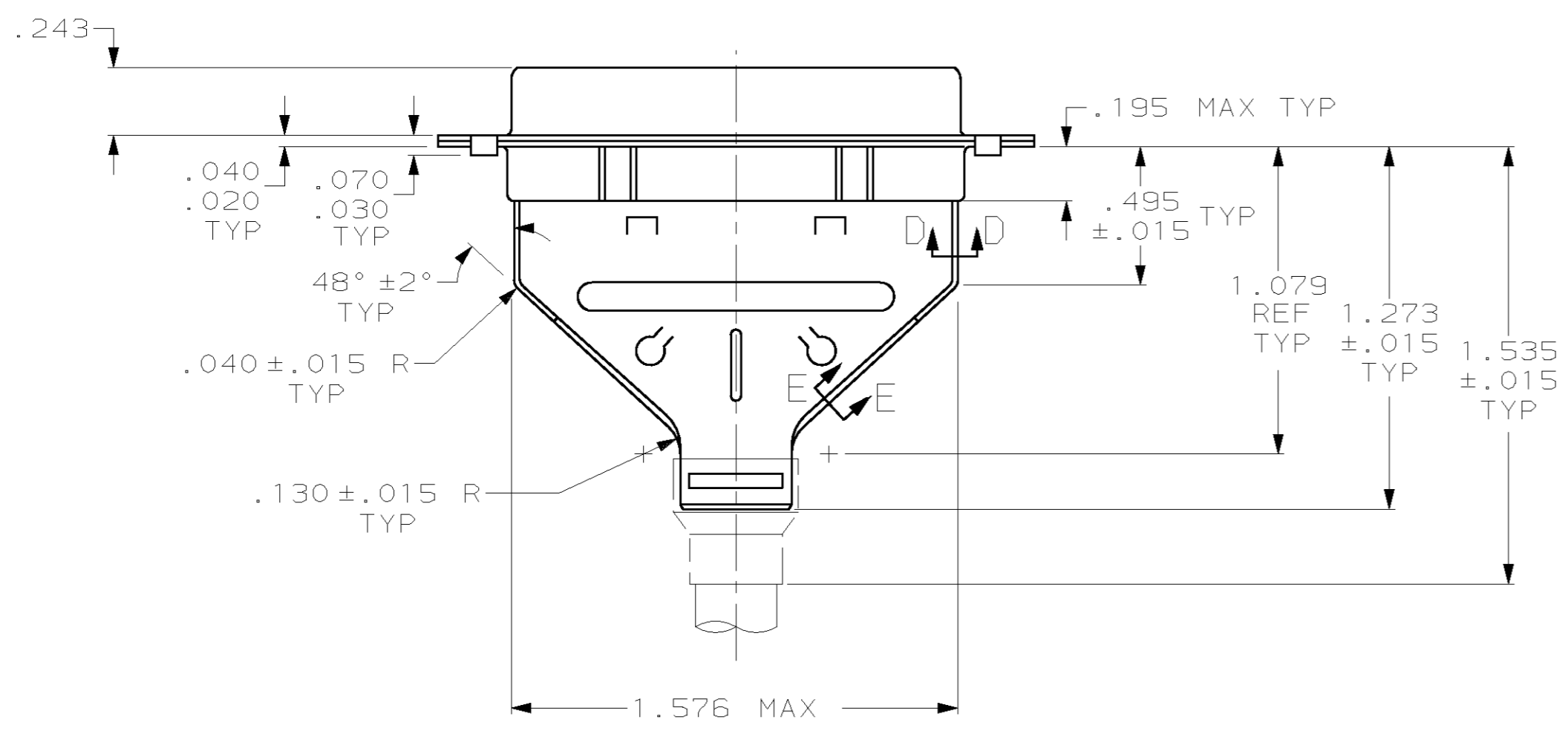
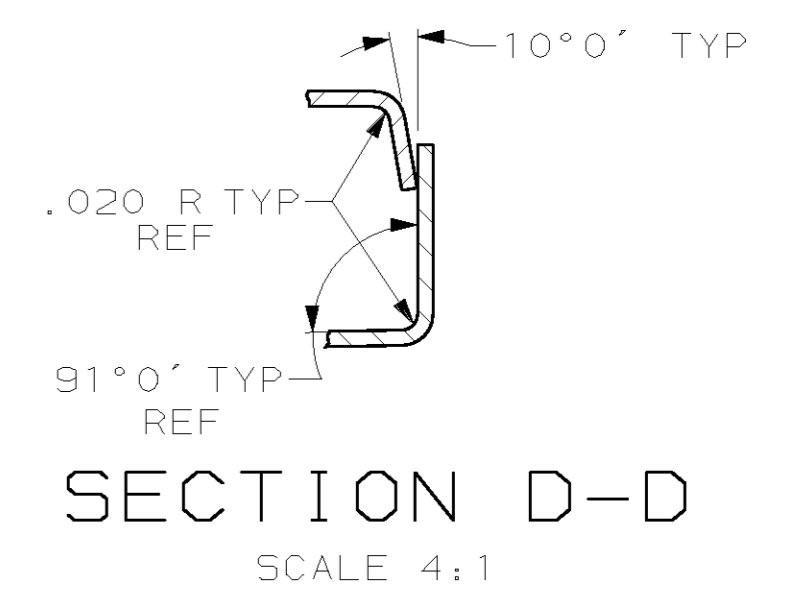


THIS DRAWING IS UNPUBLISHED. RELEASED FOR PUBLICATION .19  
 (C) COPYRIGHT 19 BY AMP INCORPORATED. ALL RIGHTS RESERVED.

LOC		DIST		REVISIONS					
P	LTR	DESCRIPTION	DATE	DWN	APVD				
GP	00			0		RELEASED PER EC 0513-0196-03	31JUL03	JR	JG



1 RCPT CONNECTOR  
 INSERTS: BLACK GLASS-FILLED NYLON, 94V-0 RATED.  
 SHELLS: STEEL PER ASTM A109, PLATED, .000200 MIN TIN OVER .000100 MIN COPPER UNDERPLATE.



- 1 RCPT ACCEPTS SIZE 20 SOCKET CONTACTS (CONTACTS MUST BE ORDERED SEPARATELY).
- 2. ALL PARTS SHIPPED UNASSEMBLED, EACH PART INDIVIDUALLY BULK PACKED.
- 3 SHIELDS: MATERIAL-.020 THICK STEEL, PER ASTM A109, PLATED .000200 MIN TIN OVER .000100 MIN COPPER UNDERPLATE.
- 4 RAISED CAVITY IDENTIFICATION AND AMP TRADEMARK.

1658649-1  
 PART NUMBER

THIS DRAWING IS A CONTROLLED DOCUMENT.		DWN	J.REITZEL	31 JUL 03	AMP Incorporated Harrisburg, PA 17105-3608			
DIMENSIONS: INCH		CHK	S.BOLASH	31 JUL 03				
TOLERANCES UNLESS OTHERWISE SPECIFIED:		APVD	M.WALMSLEY	31 JUL 03				
0 PLC ± 1 PLC ± 2 PLC ± 3 PLC ±.005 4 PLC ± ANGLES ±0°30'		NAME	KIT, RCPT, SHIELDING HARDWARE, SIZE 3, 25 POSITION, AMPLIMIT™ HDP-20					
MATERIAL		PRODUCT SPEC	108-40030		SIZE	CAGE CODE	DRAWING NO	RESTRICTED TO
SEE CALL OUT 3		FINISH	114-40030		A2	00779	C- 1658649	-
SEE CALL OUT 3		WEIGHT	-		SCALE	SHEET	OF	REV
CUSTOMER DRAWING		CUSTOMER DRAWING		4:1		1	1	0