



Chipsmall Limited consists of a professional team with an average of over 10 year of expertise in the distribution of electronic components. Based in Hongkong, we have already established firm and mutual-benefit business relationships with customers from,Europe,America and south Asia,supplying obsolete and hard-to-find components to meet their specific needs.

With the principle of “Quality Parts,Customers Priority,Honest Operation,and Considerate Service”,our business mainly focus on the distribution of electronic components. Line cards we deal with include Microchip,ALPS,ROHM,Xilinx,Pulse,ON,Everlight and Freescale. Main products comprise IC,Modules,Potentiometer,IC Socket,Relay,Connector.Our parts cover such applications as commercial,industrial, and automotives areas.

We are looking forward to setting up business relationship with you and hope to provide you with the best service and solution. Let us make a better world for our industry!



## Contact us

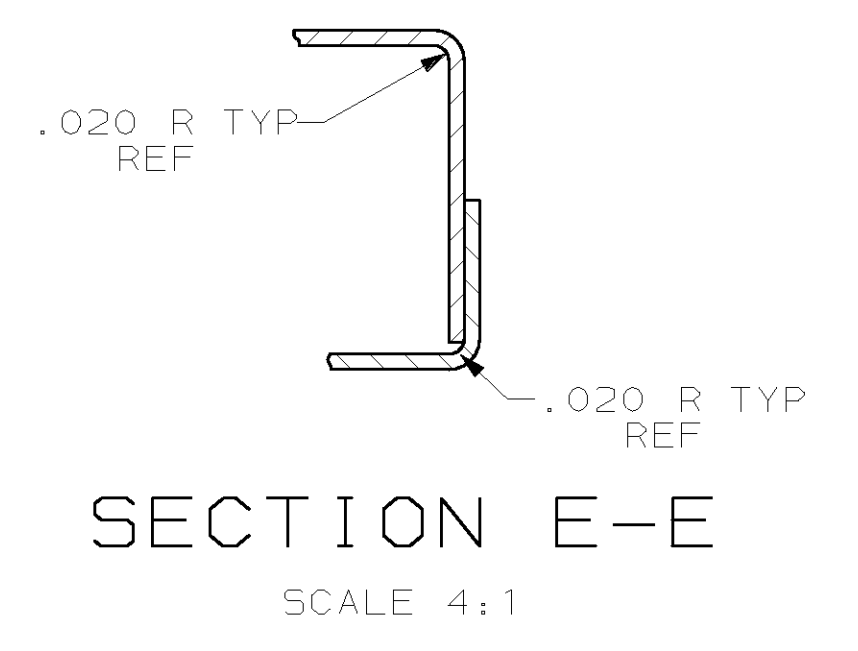
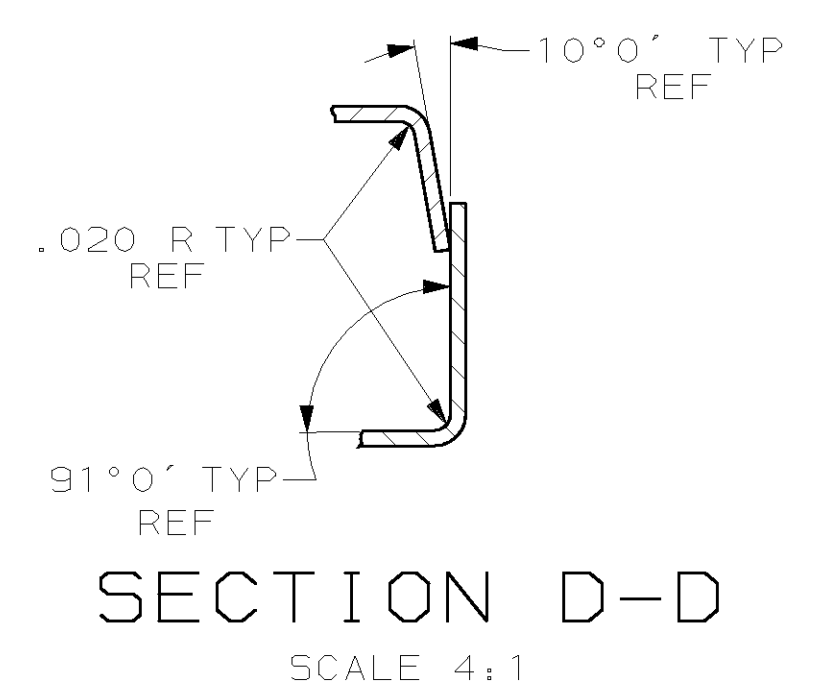
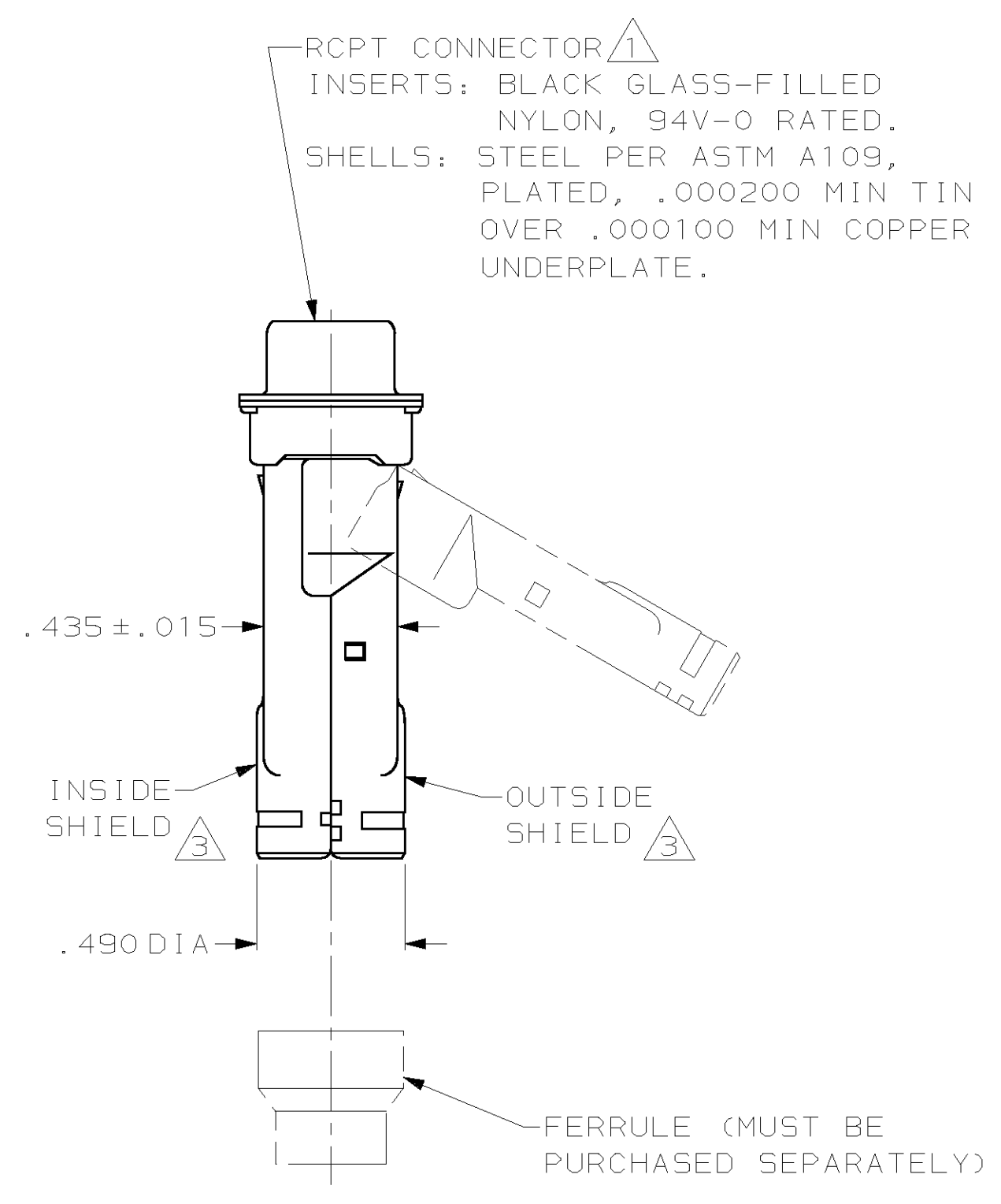
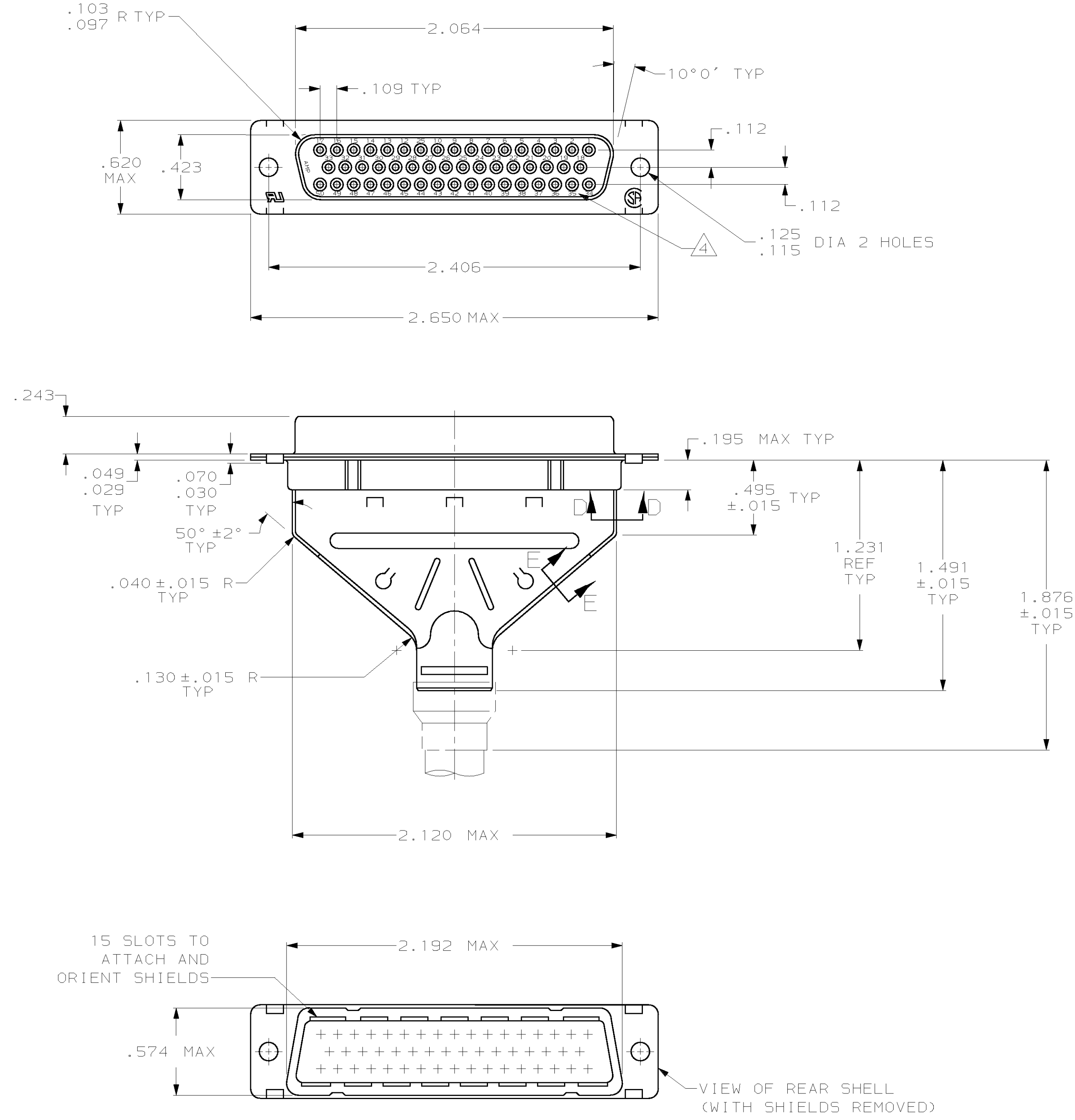
Tel: +86-755-8981 8866 Fax: +86-755-8427 6832

Email & Skype: info@chipsmall.com Web: www.chipsmall.com

Address: A1208, Overseas Decoration Building, #122 Zhenhua RD., Futian, Shenzhen, China



REVISONS		DATE	OWN	APPR
GP	00			
0	RELEASED PER EC 0513-0196-03	31JUL03	JR	J6



- 1 RCPT ACCEPTS SIZE 20 SOCKET CONTACTS (CONTACTS MUST BE ORDERED SEPARATELY).
- 2. ALL PARTS SHIPPED UNASSEMBLED, EACH PART INDIVIDUALLY BULK PACKED.
- 3 SHIELDS: MATERIAL-.020 THICK STEEL, PER ASTM A109, PLATED .000200 MIN TIN OVER .000100 MIN COPPER UNDERPLATE.
- 4 RAISED CAVITY IDENTIFICATION AND AMP TRADEMARK.

1658653-1  
 PART NUMBER

THIS DRAWING IS A CONTROLLED DOCUMENT.		DWN J. REITZEL 31JUL03	AMP Incorporated Harrisburg, PA 17105-3608	
DIMENSIONS: INCH		CHK S. BOJASH 31JUL03	AMP M. WALMSLEY 31JUL03	
TOLERANCES UNLESS OTHERWISE SPECIFIED:		NAME KIT, RCPT, SHIELDING HARDWARE, SIZE 5, 50 POSN, AMPLIMIT™ HDP-20		
0 PLC ±.005		PRODUCT SPEC 108-40030		
1 PLC ±.005		APPLICATION SPEC 114-40030		
2 PLC ±.005		SIZE A1		
3 PLC ±.005		CAGE CODE 00779		
4 PLC ±.005		DRAWING NO 1658653		
ANGLES 40° 30'		RESTRICTED TO CUSTOMER DRAWING		
MATERIAL SEE CALL OUT		WEIGHT -		
FINISH SEE CALL OUT		SCALE 2:1		
		SHEET 1 OF 1		
		REV 0		