



Chipsmall Limited consists of a professional team with an average of over 10 year of expertise in the distribution of electronic components. Based in Hongkong, we have already established firm and mutual-benefit business relationships with customers from,Europe,America and south Asia,supplying obsolete and hard-to-find components to meet their specific needs.

With the principle of “Quality Parts,Customers Priority,Honest Operation,and Considerate Service”,our business mainly focus on the distribution of electronic components. Line cards we deal with include Microchip,ALPS,ROHM,Xilinx,Pulse,ON,Everlight and Freescale. Main products comprise IC,Modules,Potentiometer,IC Socket,Relay,Connector.Our parts cover such applications as commercial,industrial, and automotives areas.

We are looking forward to setting up business relationship with you and hope to provide you with the best service and solution. Let us make a better world for our industry!



## Contact us

Tel: +86-755-8981 8866 Fax: +86-755-8427 6832

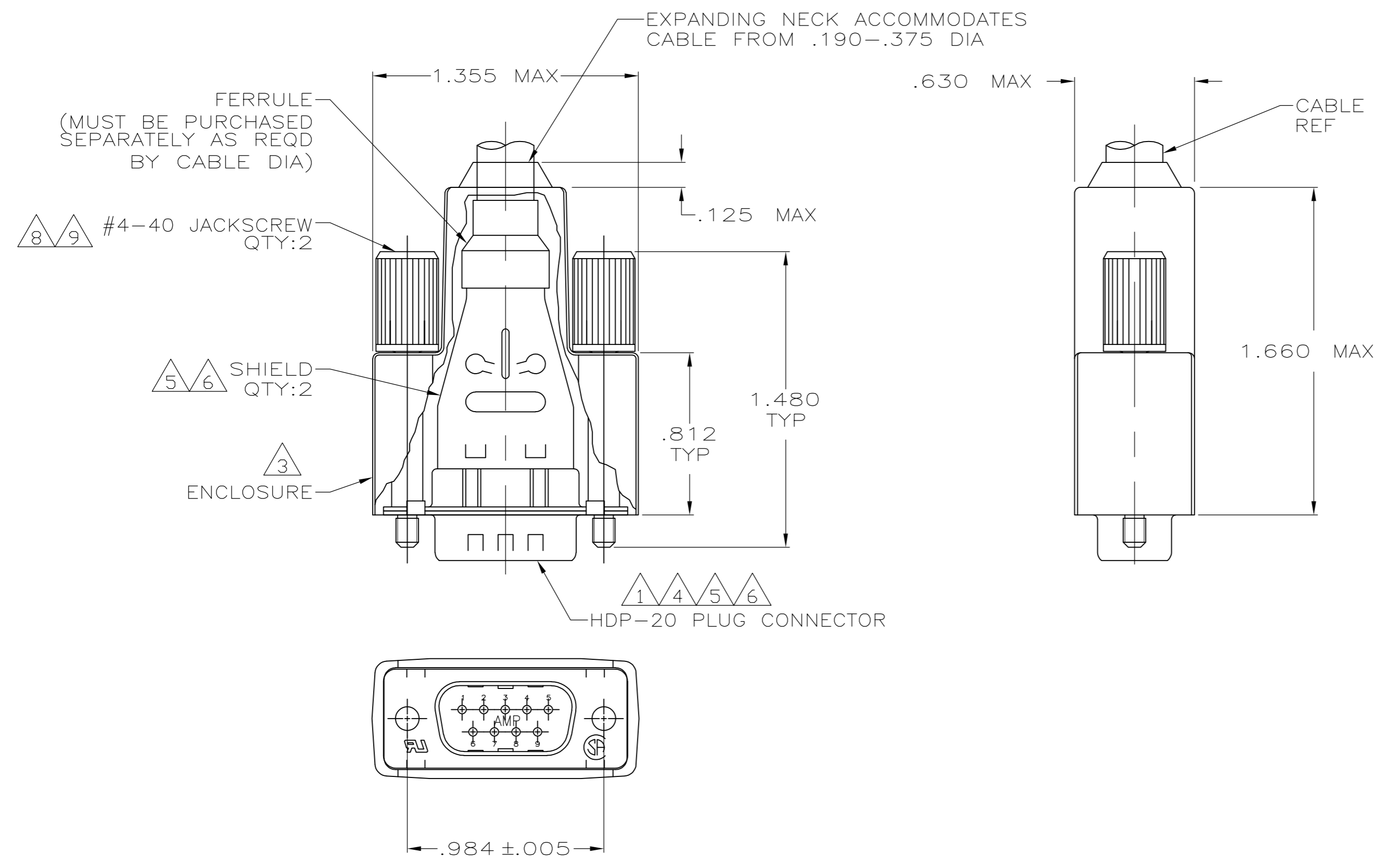
Email & Skype: info@chipsmall.com Web: www.chipsmall.com

Address: A1208, Overseas Decoration Building, #122 Zhenhua RD., Futian, Shenzhen, China



THIS DRAWING IS UNPUBLISHED. RELEASED FOR PUBLICATION  
 © COPYRIGHT - By - ALL RIGHTS RESERVED.

| LOC |  | DIST |  | REVISIONS |     |                           |           |     |      |
|-----|--|------|--|-----------|-----|---------------------------|-----------|-----|------|
| GP  |  | 00   |  | P         | LTR | DESCRIPTION               | DATE      | DWN | APVD |
|     |  |      |  | R         |     | REVISED PER ECO-11-006475 | 18OCT2011 | CJV | CWR  |



- ① PLUG ACCEPTS SIZE 20 DF PIN CONTACTS. CONTACTS MUST BE PURCHASED SEPARATELY.
- 2. ALL PARTS SHIPPED UNASSEMBLED.
- ③ FLAME RETARDANT 94V-0 RATED, STYRENE POLYOLEFIN OR PVC, BLACK.
- ④ FLAME RETARDANT 94V-0 RATED GLASS FILLED, NYLON OR POLYESTER, BLACK.
- ⑤ STEEL PER ASTM A109.
- ⑥ .000200 MIN TIN PLATE OVER .000100 MIN COPPER UNDERPLATE.
- ⑦ COMPONENTS INDIVIDUALLY BULK PACKED.
- ⑧ ZINC ALLOY.
- ⑨ ELECTRODEPOSITED POLYURETHANE, BLACK.

|           |         |             |
|-----------|---------|-------------|
| ⑦         | W/LOGOS | 1658655-1   |
| PACKAGING | REMARKS | PART NUMBER |

|  |  |                  |            |           |  |                 |            |               |
|--|--|------------------|------------|-----------|--|-----------------|------------|---------------|
| THIS DRAWING IS A CONTROLLED DOCUMENT.   |  | DWN              | J.REITZEL  | 31JUL03   |  | TE Connectivity |            |               |
| DIMENSIONS: INCHES   |  | CHK              | S.BOLASH   | 31JUL03   |  | NAME            |            |               |
| TOLERANCES UNLESS OTHERWISE SPECIFIED:   |  | APVD             | M.WALMSLEY | 31JUL03   |  | PRODUCT SPEC    |            |               |
| 0 PLC ± -<br>1 PLC ± -<br>2 PLC ± -<br>3 PLC ± .020<br>4 PLC ± -<br>ANGLES ± - |  | APPLICATION SPEC |            | 108-40030 |  |                 |            |               |
| MATERIAL   |  | WEIGHT           |            | SIZE      |  | CAGE CODE       | DRAWING NO | RESTRICTED TO |
| ③④⑤⑧   |  | -                |            | A2        |  | 00779           | ①=1658655  | -             |
| FINISH   |  | CUSTOMER DRAWING |            | SCALE     |  | SHEET           |            | REV           |
| ⑥⑨   |  |                  |            | 2:1       |  | 1 of 1          |            | R             |

1658655