



Chipsmall Limited consists of a professional team with an average of over 10 year of expertise in the distribution of electronic components. Based in Hongkong, we have already established firm and mutual-benefit business relationships with customers from,Europe,America and south Asia,supplying obsolete and hard-to-find components to meet their specific needs.

With the principle of “Quality Parts,Customers Priority,Honest Operation,and Considerate Service”,our business mainly focus on the distribution of electronic components. Line cards we deal with include Microchip,ALPS,ROHM,Xilinx,Pulse,ON,Everlight and Freescale. Main products comprise IC,Modules,Potentiometer,IC Socket,Relay,Connector.Our parts cover such applications as commercial,industrial, and automotives areas.

We are looking forward to setting up business relationship with you and hope to provide you with the best service and solution. Let us make a better world for our industry!



Contact us

Tel: +86-755-8981 8866 Fax: +86-755-8427 6832

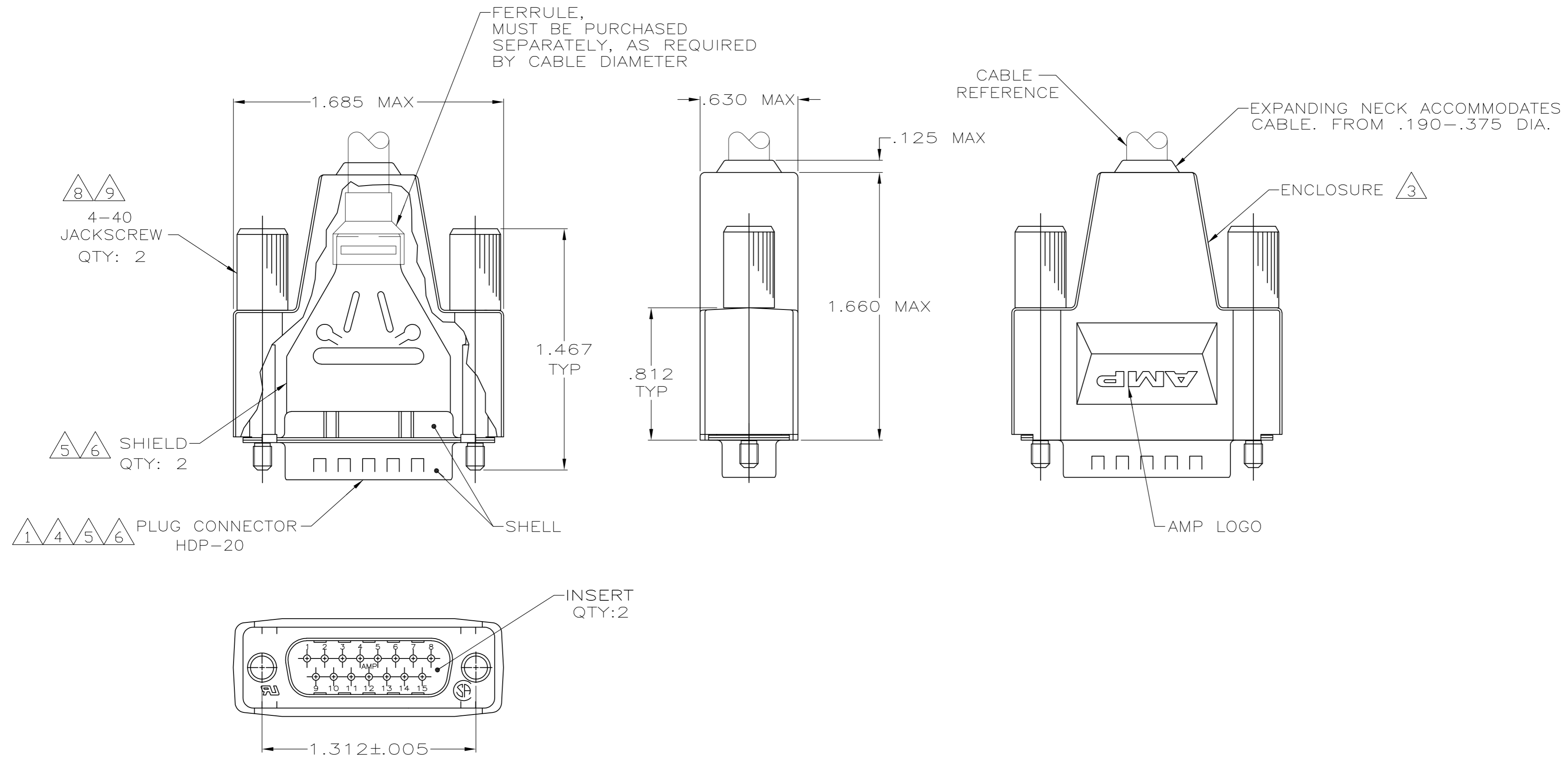
Email & Skype: info@chipsmall.com Web: www.chipsmall.com

Address: A1208, Overseas Decoration Building, #122 Zhenhua RD., Futian, Shenzhen, China



THIS DRAWING IS UNPUBLISHED. RELEASED FOR PUBLICATION
 © COPYRIGHT - By - ALL RIGHTS RESERVED.

LOC		DIST		REVISIONS					
GP		00		P	LTR	DESCRIPTION	DATE	DWN	APVD
				R		REVISED PER ECO-11-006475	18OCT2011	CJV	CWR



- 1 PLUG ACCEPTS SIZE 20 DF PIN CONTACTS. CONTACTS MUST BE PURCHASED SEPARATELY.
- 2. ALL PARTS SHIPPED UNASSEMBLED.
- 3 FLAME RETARDANT 94V-0 RATED, STYRENE POLYOLEFIN OR PVC, COLOR: BLACK.
- 4 FLAME RETARDANT 94V-0 RATED, GLASS FILLED NYLON OR POLYESTER, COLOR: BLACK.
- 5 STEEL PER ASTM A109.
- 6 .000200 MIN TIN PLATE OVER .000100 MIN COPPER UNDERPLATE.
- 7 COMPONENTS INDIVIDUALLY BULK PACKED.
- 8 ZINC ALLOY.
- 9 ELECTRODEPOSITED POLYURETHANE, BLACK.

7	W/ LOGOS	1658657-1
PACKAGING	REMARKS	PART NO

THIS DRAWING IS A CONTROLLED DOCUMENT.		DWN	J.REITZEL	31JUL03		TE Connectivity		
DIMENSIONS: INCHES		CHK	S.BOLASH	31JUL03		NAME		
		APVD	M.WALMSLEY	31JUL03		KIT, PLUG, SHIELDING ENCLOSURE, SIZE 2, 15 POSN, AMPLIMITE™ HDP-20		
TOLERANCES UNLESS OTHERWISE SPECIFIED:		PRODUCT SPEC		APPLICATION SPEC			RESTRICTED TO	
0 PLC ± -		108-40030		SIZE			RESTRICTED TO	
1 PLC ± -		114-40030		CAGE CODE			RESTRICTED TO	
2 PLC ± -		WEIGHT		DRAWING NO			RESTRICTED TO	
3 PLC ± .020		-		A2 00779			RESTRICTED TO	
4 PLC ± -		CUSTOMER DRAWING		SCALE			RESTRICTED TO	
ANGLES ± -		SCALE 2:1		SHEET 1 of 1			RESTRICTED TO	
FINISH		SCALE 2:1		REV			RESTRICTED TO	
MATERIAL		SCALE 2:1		REV R			RESTRICTED TO	
FINISH		SCALE 2:1		REV R			RESTRICTED TO	