



Chipsmall Limited consists of a professional team with an average of over 10 year of expertise in the distribution of electronic components. Based in Hongkong, we have already established firm and mutual-benefit business relationships with customers from,Europe,America and south Asia,supplying obsolete and hard-to-find components to meet their specific needs.

With the principle of “Quality Parts,Customers Priority,Honest Operation,and Considerate Service”,our business mainly focus on the distribution of electronic components. Line cards we deal with include Microchip,ALPS,ROHM,Xilinx,Pulse,ON,Everlight and Freescale. Main products comprise IC,Modules,Potentiometer,IC Socket,Relay,Connector.Our parts cover such applications as commercial,industrial, and automotives areas.

We are looking forward to setting up business relationship with you and hope to provide you with the best service and solution. Let us make a better world for our industry!



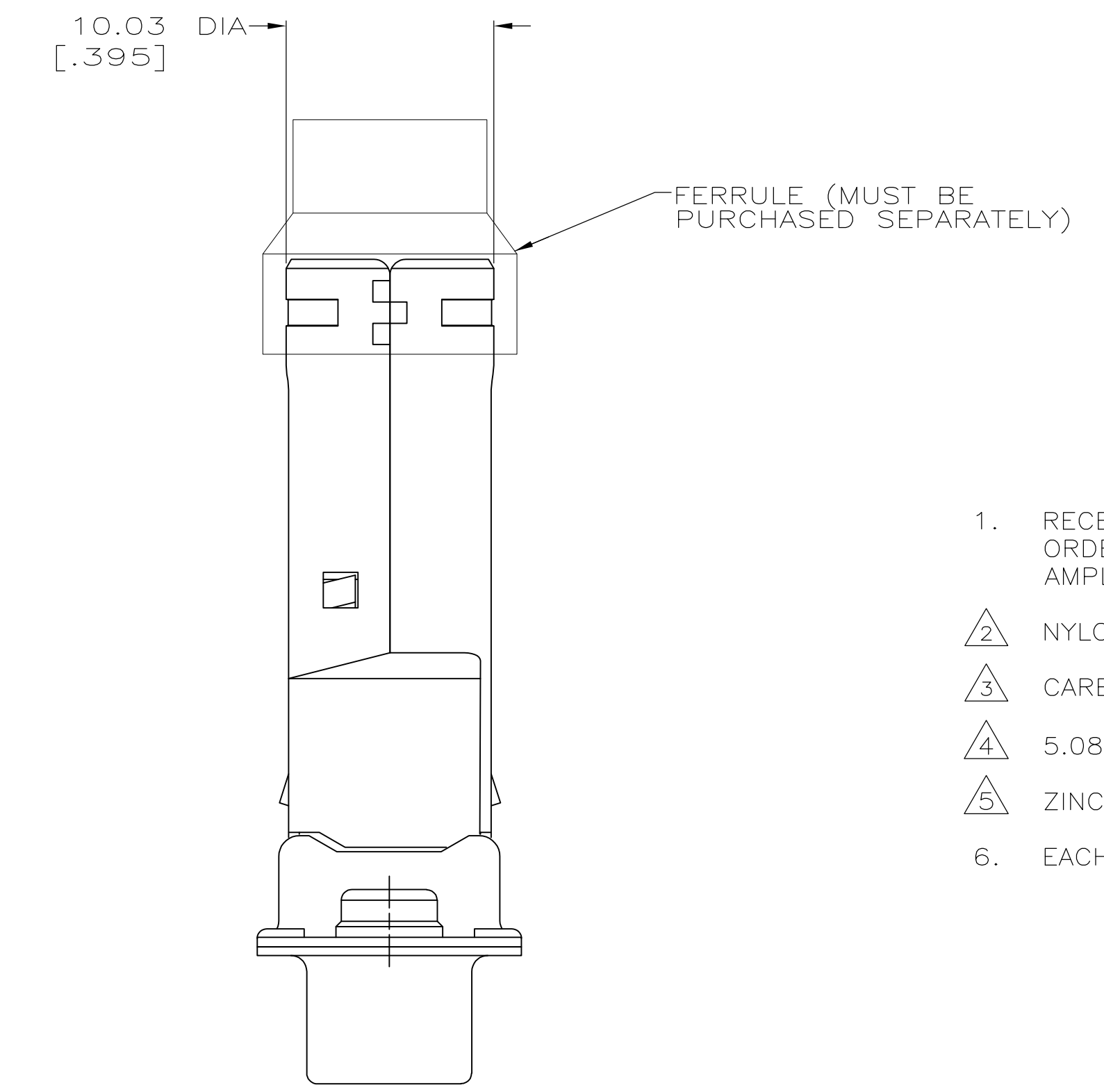
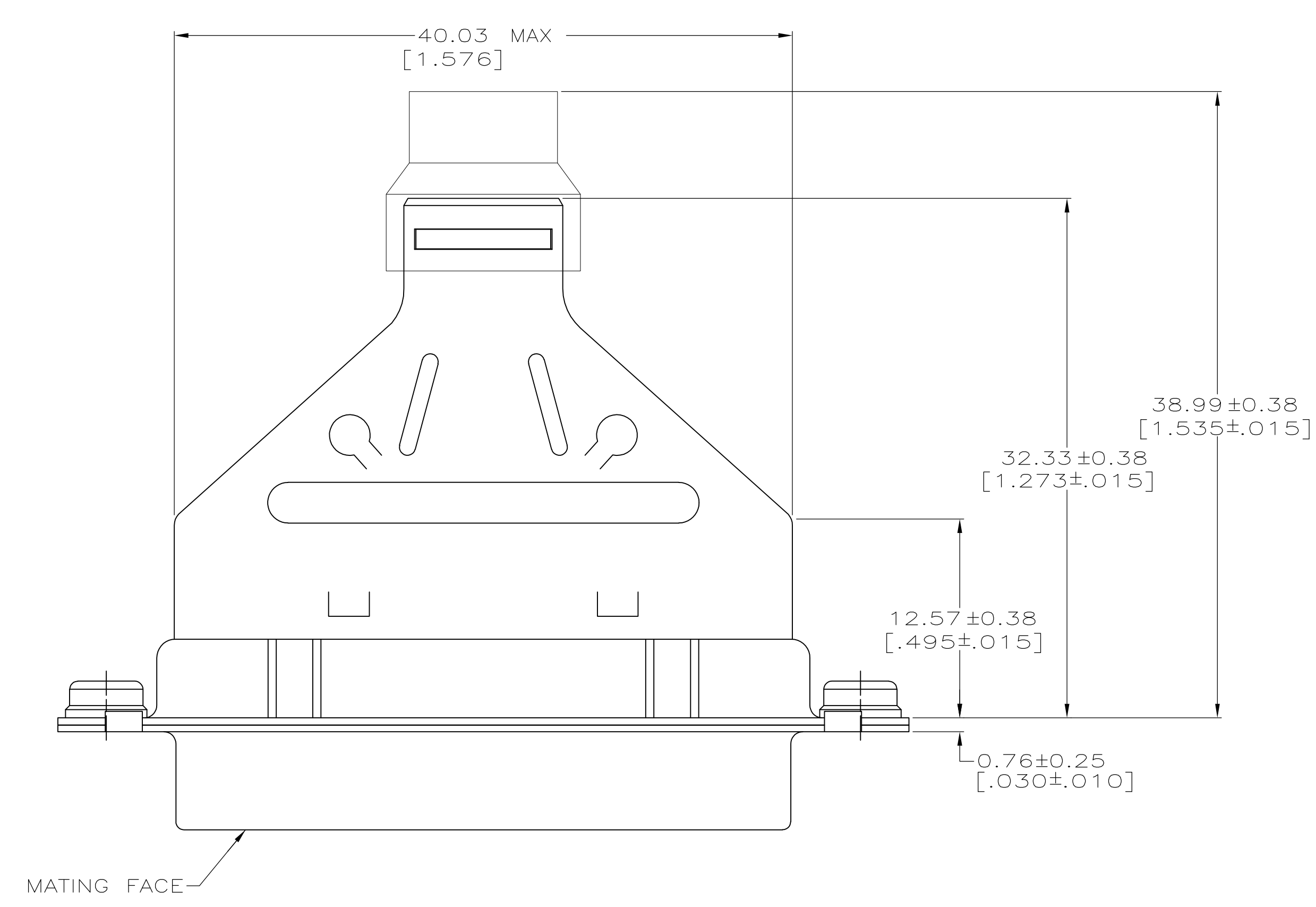
Contact us

Tel: +86-755-8981 8866 Fax: +86-755-8427 6832

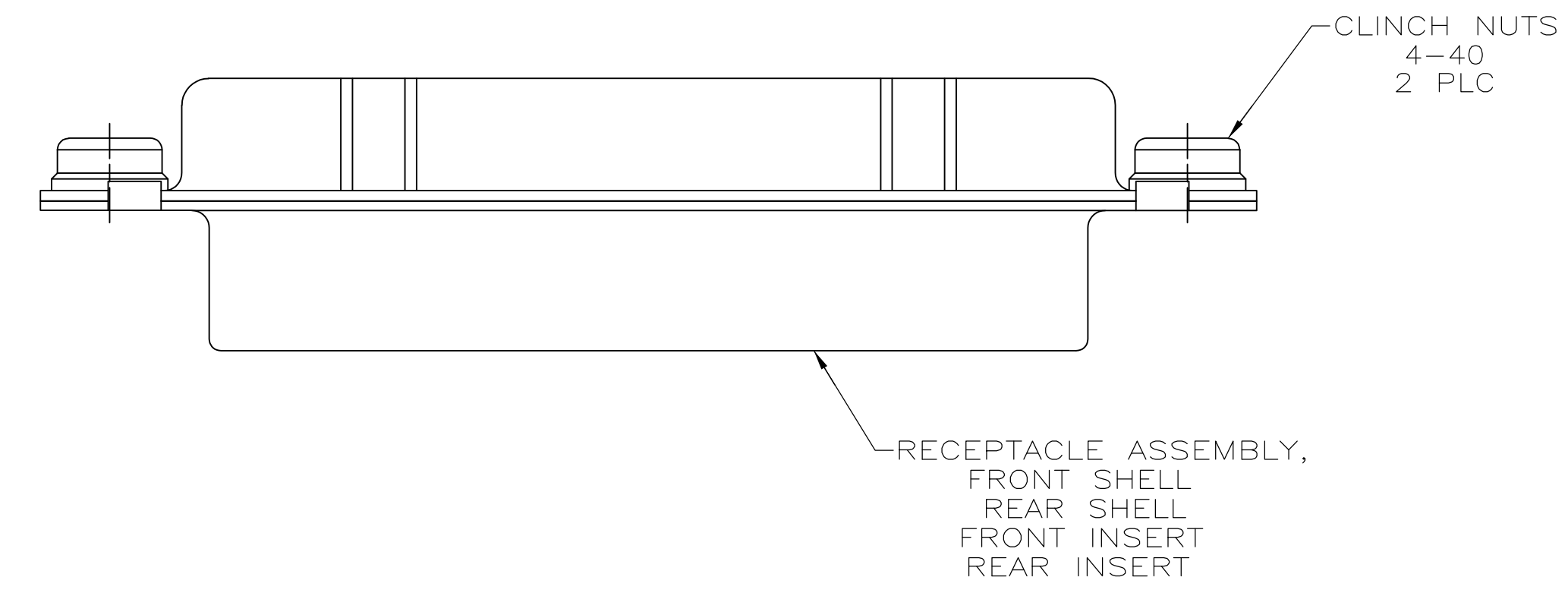
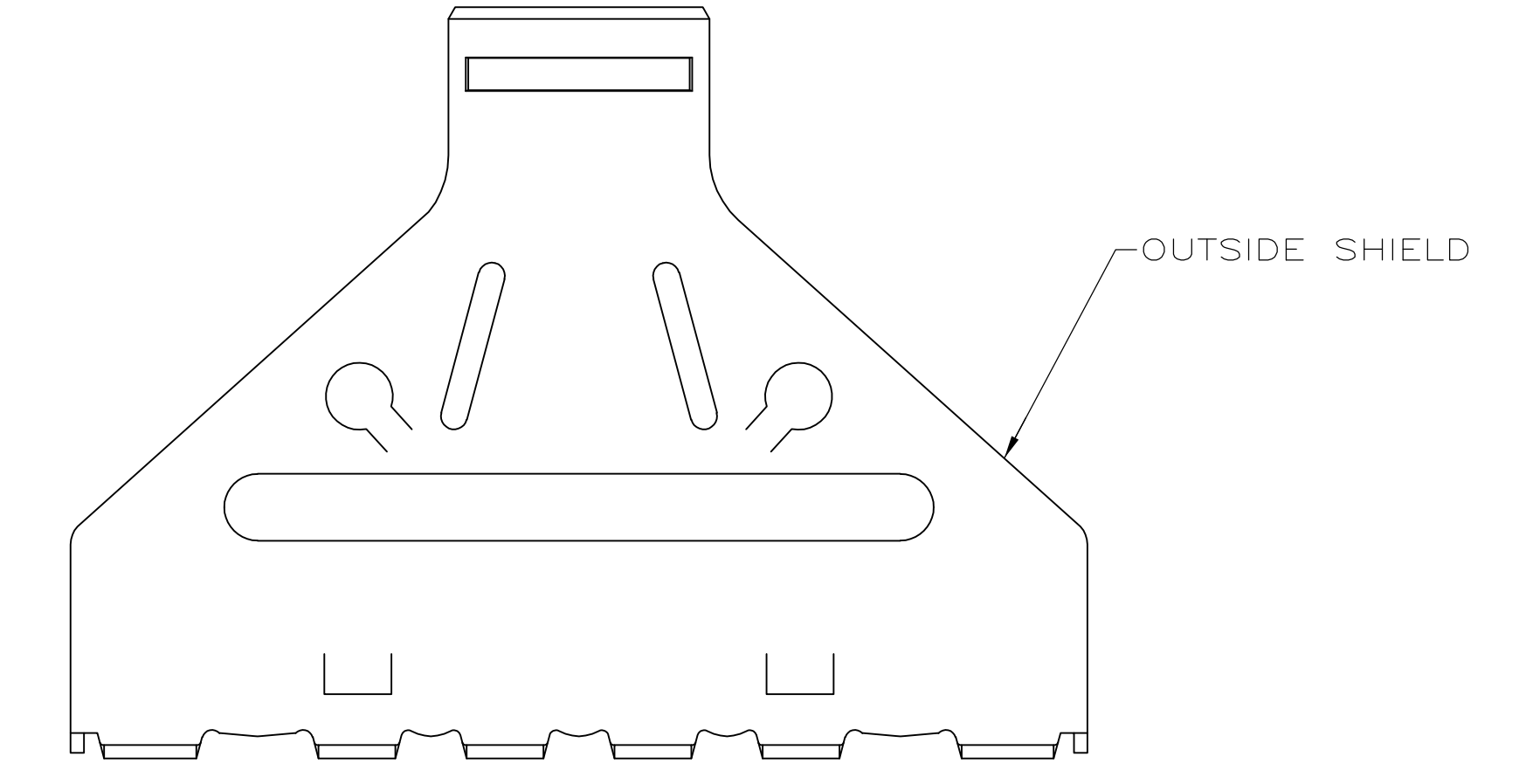
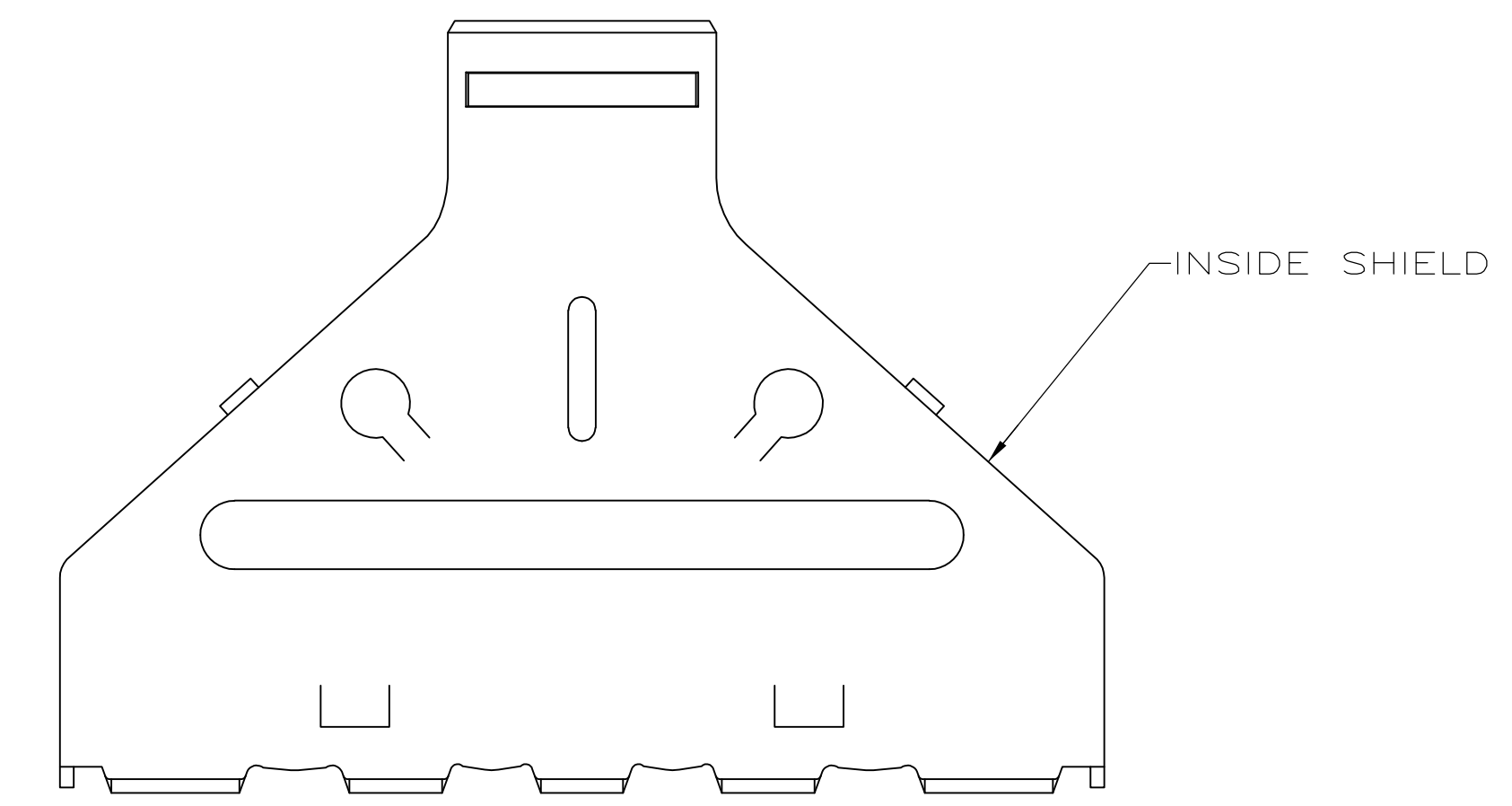
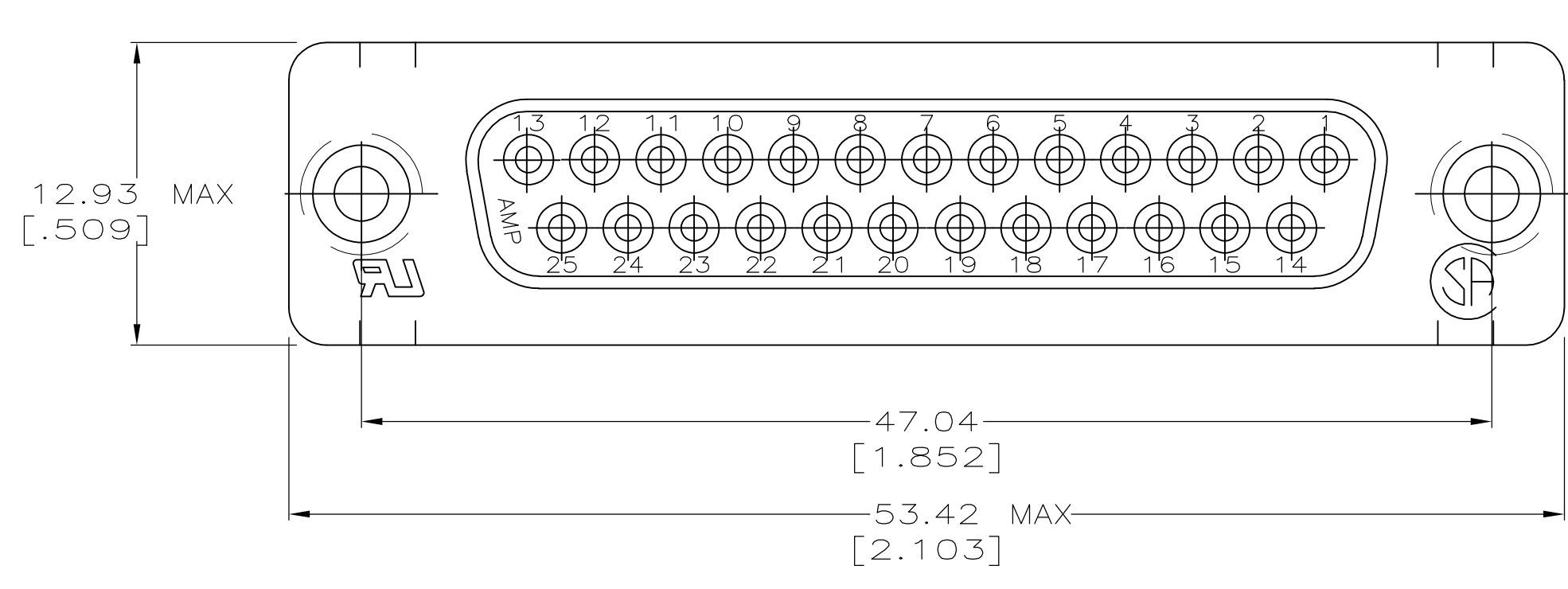
Email & Skype: info@chipsmall.com Web: www.chipsmall.com

Address: A1208, Overseas Decoration Building, #122 Zhenhua RD., Futian, Shenzhen, China





- RECEPTACLE ACCEPTS SIZE 20 SOCKET CONTACTS, CONTACTS MUST BE ORDERED SEPARATELY. ASSEMBLY MATES WITH ANY 25 POSN PLUG IN AMPLIMITE® SERIES.
- NYLON, FLAME RETARDANT, UL 94V-0 RATED, GLASS FILLED, BLACK.
- CARBON STEEL PER ASTM A 109.
- 5.08µm [.000200] MIN TIN OVER 2.54µm [.000100] MIN COPPER.
- ZINC PLATED.
- EACH PART INDIVIDUALLY BULK PACKED.



1658662-1
PART NUMBER

THIS DRAWING IS A CONTROLLED DOCUMENT.		DWN: J. REITZEL 31JUL03	Tyco Electronics Corporation Harrisburg, PA 17105-3608	
DIMENSIONS: mm [INCHES]		CHK: S. BOLASH 31JUL03	NAME: M. WALMSLEY 31JUL03	
TOLERANCES UNLESS OTHERWISE SPECIFIED:		PRODUCT SPEC: 108-40030		
0 PLC ± -		APPLICATION SPEC: 114-40030		
1 PLC ± -		SIZE: A1		
2 PLC ± 0.15(.005)		CAGE CODE: 00779		
3 PLC ± -		DRAWING NO: 1658662		
4 PLC ± -		RESTRICTED TO: -		
ANGLES ± °		CUSTOMER DRAWING		
FINISH		SCALE: 2:1		
MATERIAL: △		SHEET: 1 OF 1		
SHELLS & SHIELDS: △		REV: A		
CLINCH NUTS: △				