



Chipsmall Limited consists of a professional team with an average of over 10 year of expertise in the distribution of electronic components. Based in Hongkong, we have already established firm and mutual-benefit business relationships with customers from,Europe,America and south Asia,supplying obsolete and hard-to-find components to meet their specific needs.

With the principle of “Quality Parts,Customers Priority,Honest Operation,and Considerate Service”,our business mainly focus on the distribution of electronic components. Line cards we deal with include Microchip,ALPS,ROHM,Xilinx,Pulse,ON,Everlight and Freescale. Main products comprise IC,Modules,Potentiometer,IC Socket,Relay,Connector.Our parts cover such applications as commercial,industrial, and automotives areas.

We are looking forward to setting up business relationship with you and hope to provide you with the best service and solution. Let us make a better world for our industry!



Contact us

Tel: +86-755-8981 8866 Fax: +86-755-8427 6832

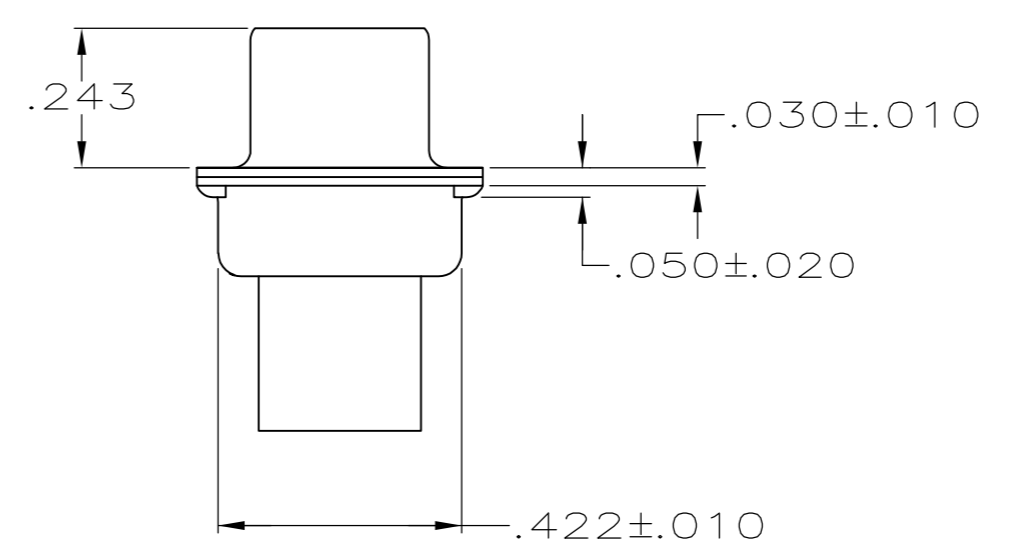
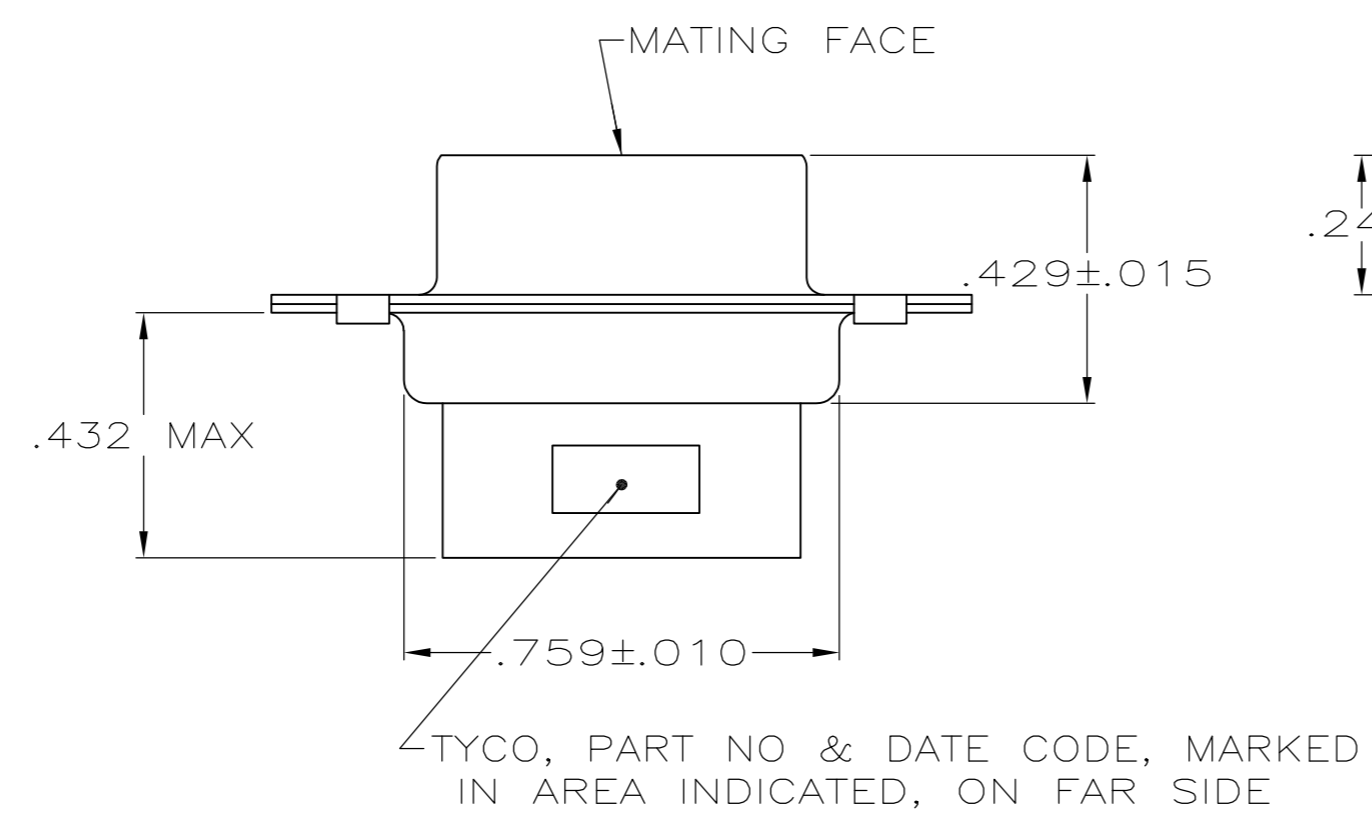
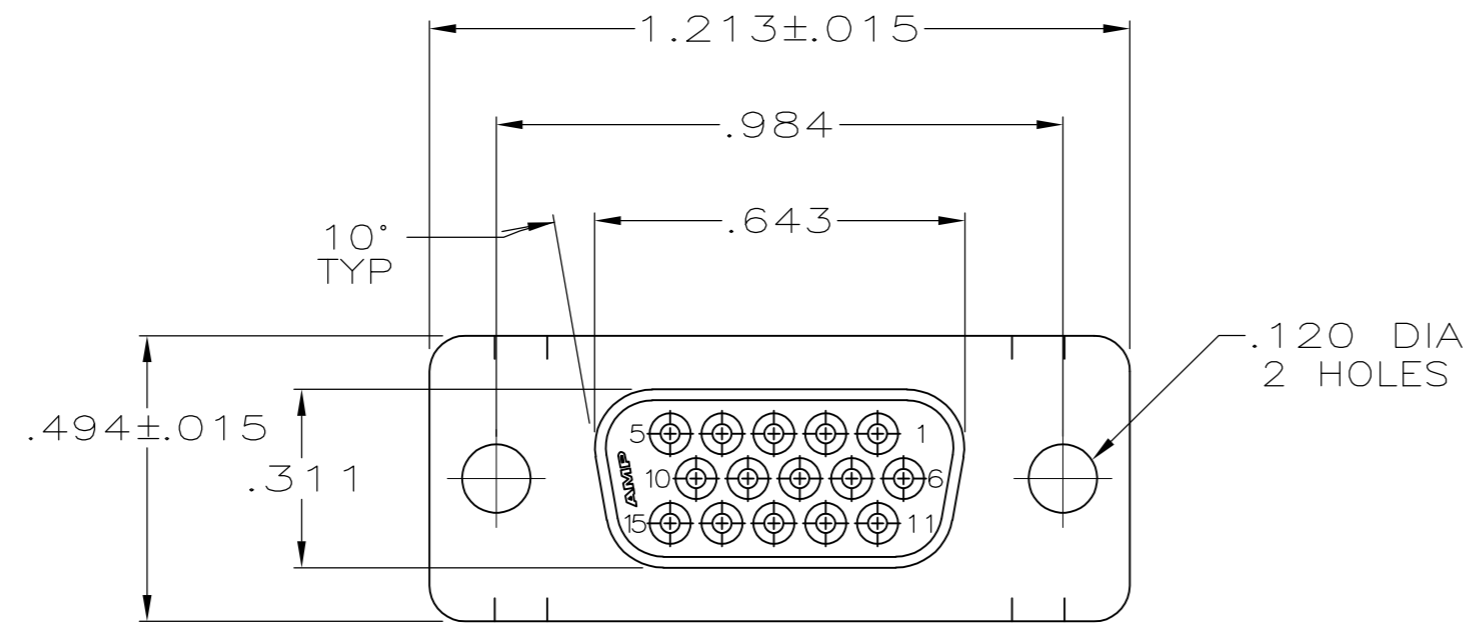
Email & Skype: info@chipsmall.com Web: www.chipsmall.com

Address: A1208, Overseas Decoration Building, #122 Zhenhua RD., Futian, Shenzhen, China



THIS DRAWING IS UNPUBLISHED. RELEASED FOR PUBLICATION
 © COPYRIGHT - By - ALL RIGHTS RESERVED.

LOC	DIST	REVISIONS			
P	LTR	DESCRIPTION	DATE	DWN	APVD
GP	00	C1	REVISED PER ECO-11-004835	11MAR11	RK HMR



- 1. CONNECTOR ACCEPTS 22 DF SOCKET CONTACTS, RETENTION TINES ARE AN INTEGRAL PART OF INSERT.
- 2 MATERIAL: MOLDED PARTS - FLAME RETARDANT 94V-0 RATED, GLASS FILLED NYLON, COLOR: BLACK. SHELLS - CARBON STEEL.
- 3 FINISH: SHELLS - .000200 MIN TIN OVER .000100 MIN COPPER UNDERPLATE.

1658681-1
 PART NUMBER

THIS DRAWING IS A CONTROLLED DOCUMENT.		DWN L. BAUM 02JAN04		
DIMENSIONS: INCHES		CHK S. BOLASH 02JAN04		
TOLERANCES UNLESS OTHERWISE SPECIFIED:		APVD M. WALMSLEY 02JAN04	NAME	
0 PLC ± -		PRODUCT SPEC	RECEPTACLE ASSEMBLY, SIZE 1, 15 POSN, HDP-22, AMPLIMITE®	
1 PLC ± -		APPLICATION SPEC	-	
2 PLC ± -		108-1268	SIZE	CAGE CODE
3 PLC ± .005		114-10001	A2	00779
4 PLC ± -		WEIGHT	DRAWING NO	
ANGLES ± 2°		-	C=1658681	
FINISH		CUSTOMER DRAWING		RESTRICTED TO
2		SCALE 3:1		SHEET 1 of 1
3		REV C1		