



Chipsmall Limited consists of a professional team with an average of over 10 year of expertise in the distribution of electronic components. Based in Hongkong, we have already established firm and mutual-benefit business relationships with customers from,Europe,America and south Asia,supplying obsolete and hard-to-find components to meet their specific needs.

With the principle of “Quality Parts,Customers Priority,Honest Operation,and Considerate Service”,our business mainly focus on the distribution of electronic components. Line cards we deal with include Microchip,ALPS,ROHM,Xilinx,Pulse,ON,Everlight and Freescale. Main products comprise IC,Modules,Potentiometer,IC Socket,Relay,Connector.Our parts cover such applications as commercial,industrial, and automotives areas.

We are looking forward to setting up business relationship with you and hope to provide you with the best service and solution. Let us make a better world for our industry!



Contact us

Tel: +86-755-8981 8866 Fax: +86-755-8427 6832

Email & Skype: info@chipsmall.com Web: www.chipsmall.com

Address: A1208, Overseas Decoration Building, #122 Zhenhua RD., Futian, Shenzhen, China




VS-08-KU-IP67-BK

Order No.: 1658684

<http://eshop.phoenixcontact.de/phoenix/treeViewClick.do?UID=1658684>

RJ45 coupling, IP67, CAT5e, with protective cover, color: black

Ethernet

Commercial data	
GTIN (EAN)	 4 046356 163217
sales group	D510
Pack	1 pcs.
Customs tariff	85366990
Catalog page information	Page 201 (PC-2009)

Product notes

WEEE/RoHS-compliant since:
10/02/2006

<http://www.download.phoenixcontact.com>
Please note that the data given here has been taken from the online catalog. For comprehensive information and data, please refer to the user documentation. The General Terms and Conditions of Use apply to Internet downloads.

Technical data

Mechanical characteristics	
Number of positions	8
Insertion/withdrawal cycles	≥ 750
Color	black
Ambient temperature (operation)	-10 °C ... 60 °C
Ambient temperature (storage/transport)	-40 °C ... 70 °C

Material data

Inflammability class acc. to UL 94	V0
Housing material	PBT
Contact carrier material	Thermoplastic
Contact material	Copper alloy
Contact surface material	Gold over nickel
Sealing material	NBR
Seal material	NBR
Degree of protection	IP67

Electrical characteristics

Number of positions	8
Transmission characteristics (category)	CAT5 (IEC 11801:2002), CAT5e (TIA 568B:2001)
Rated current	1 A
Surge voltage category	I
Pollution degree	1

Certificates / Approvals

Certification CUL, UL

Accessories

Item	Designation	Description
------	-------------	-------------

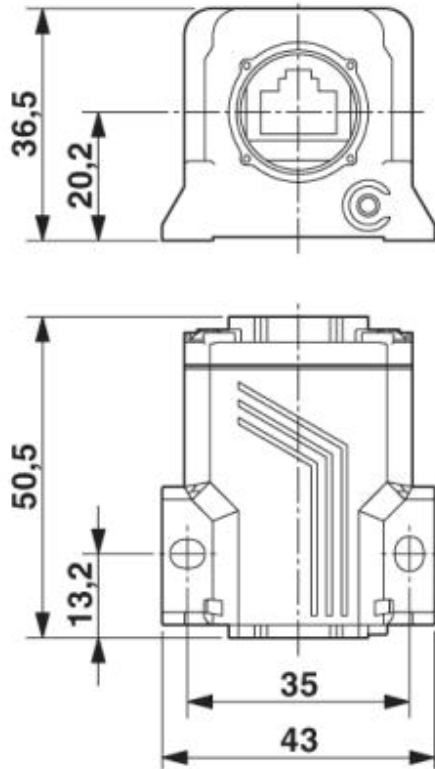
Protective covers

1658066	VS-08-SD-F-BK	Protective cover, IP67, flat design, to cover the contact insert in the panel mounting frame, color: black
---------	---------------	--

Diagrams/Drawings

Dimensioned drawing

RJ45 coupling



Address

PHOENIX CONTACT Deutschland GmbH
Flachmarktstr. 8
32825 Blomberg, Germany
Phone +49 5235 3 12000
Fax +49 5235 3 41200
<http://www.phoenixcontact.de>



© 2011 Phoenix Contact
Technical modifications reserved;