



Chipsmall Limited consists of a professional team with an average of over 10 year of expertise in the distribution of electronic components. Based in Hongkong, we have already established firm and mutual-benefit business relationships with customers from,Europe,America and south Asia,supplying obsolete and hard-to-find components to meet their specific needs.

With the principle of “Quality Parts,Customers Priority,Honest Operation,and Considerate Service”,our business mainly focus on the distribution of electronic components. Line cards we deal with include Microchip,ALPS,ROHM,Xilinx,Pulse,ON,Everlight and Freescale. Main products comprise IC,Modules,Potentiometer,IC Socket,Relay,Connector.Our parts cover such applications as commercial,industrial, and automotives areas.

We are looking forward to setting up business relationship with you and hope to provide you with the best service and solution. Let us make a better world for our industry!



Contact us

Tel: +86-755-8981 8866 Fax: +86-755-8427 6832

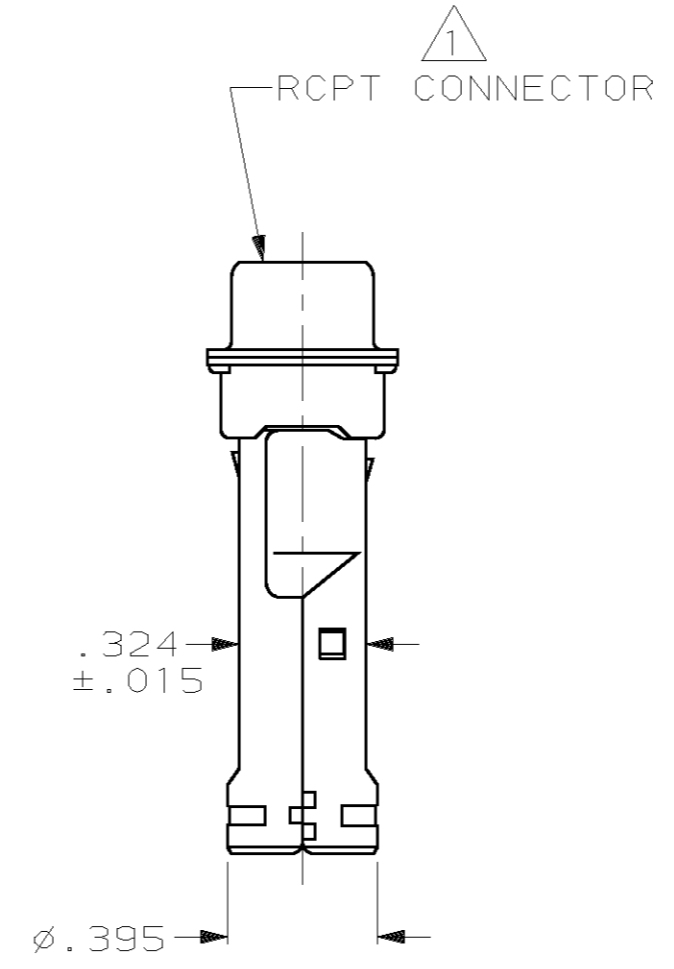
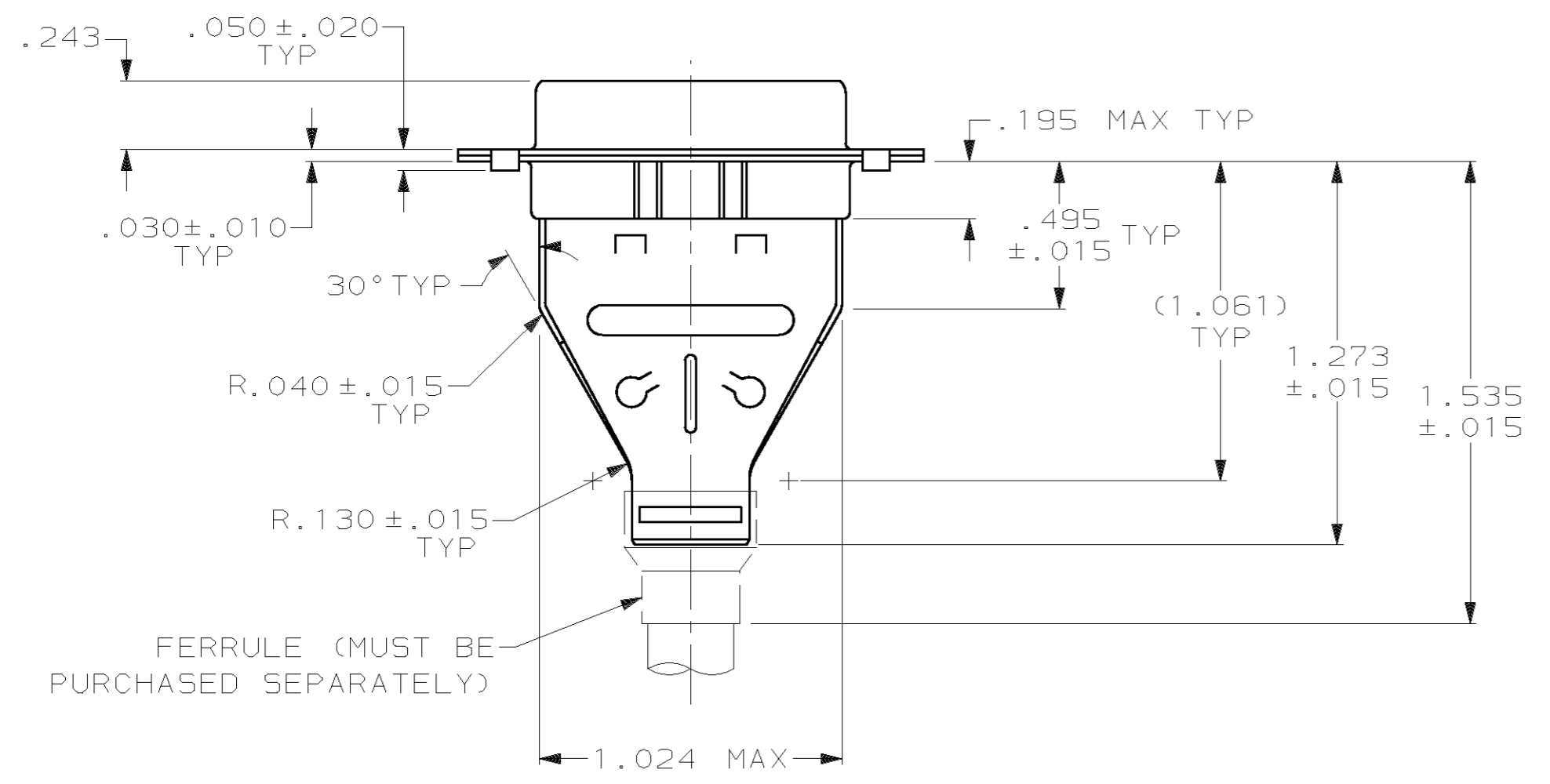
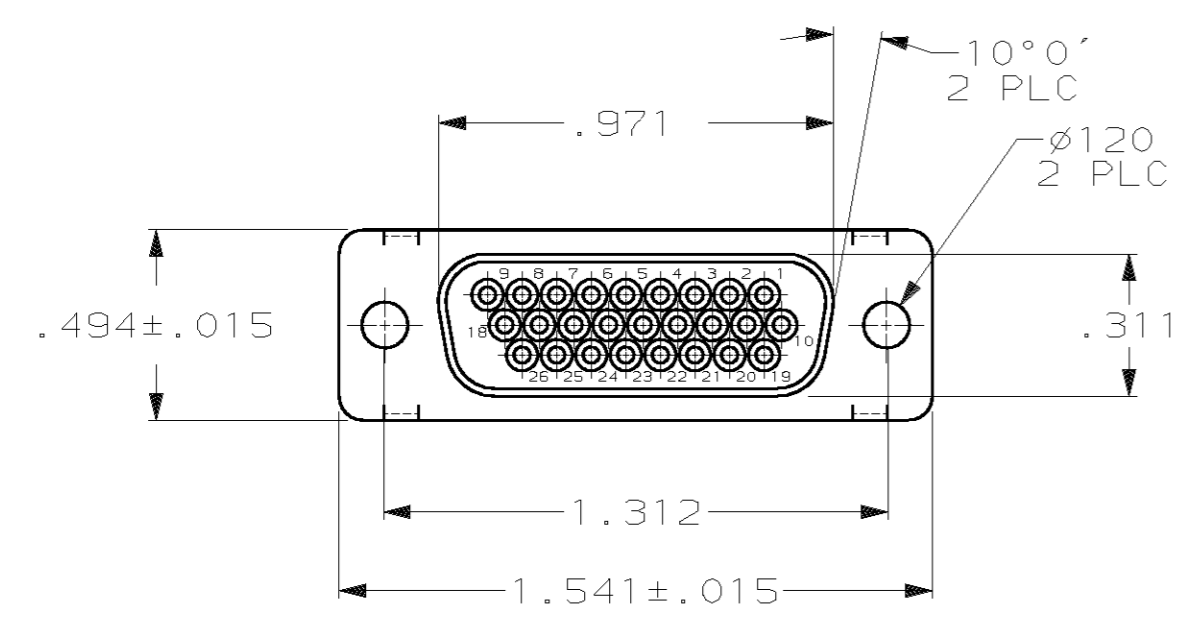
Email & Skype: info@chipsmall.com Web: www.chipsmall.com

Address: A1208, Overseas Decoration Building, #122 Zhenhua RD., Futian, Shenzhen, China



THIS DRAWING IS UNPUBLISHED. RELEASED FOR PUBLICATION .19
 (C) COPYRIGHT 19 BY AMP INCORPORATED. ALL RIGHTS RESERVED.

LOC	DIST	REVISIONS			
P	LTR	DESCRIPTION	DATE	DWN	APVD
GP	00	0	RELEASED PER EC 0513-0209-03	02 JAN 04	LB SB



- ① RCPT ACCEPTS 22 DF SOCKET CONTACTS (CONTACTS MUST BE ORDERED SEPARATELY).
- 2. ALL PARTS SHIPPED UNASSEMBLED, EACH PART INDIVIDUALLY BULK PACKED.
- ③ FLAME RETARDANT 94V-0 RATED, GLASS FILLED NYLON, BLACK.
- ④ .000200 MIN. TIN PLATE OVER .000100 MIN. COPPER UNDERPLATE.

1658687-1
 PART NUMBER

THIS DRAWING IS A CONTROLLED DOCUMENT.		DWN L. BAUM 02JAN04	AMP Incorporated Harrisburg, PA 17105-3608
DIMENSIONS: INCH		CHK S. BOLASH 02JAN04	
TOLERANCES UNLESS OTHERWISE SPECIFIED:		APVD M. WALMSLEY 02JAN04	
0 PLC ±- 1 PLC ±- 2 PLC ±- 3 PLC ±.005 4 PLC ±- ANGLES ±2°		NAME KIT, RCPT, SHIELDING HARDWARE, SIZE 2, 26 POSN, HDP-22, AMPLIMIT™	
MATERIAL HOUSING: ③ SHELLS & SHIELDS: ④ CARBON STEEL		FINISH	RESTRICTED TO
		PRODUCT SPEC 108-1268	SIZE A2
		APPLICATION SPEC 114-10001	CAGE CODE 00779
		WEIGHT -	DRAWING NO. C-1658687
		CUSTOMER DRAWING	SCALE 2:1 SHEET 1 OF 1 REV 0