



Chipsmall Limited consists of a professional team with an average of over 10 year of expertise in the distribution of electronic components. Based in Hongkong, we have already established firm and mutual-benefit business relationships with customers from,Europe,America and south Asia,supplying obsolete and hard-to-find components to meet their specific needs.

With the principle of “Quality Parts,Customers Priority,Honest Operation,and Considerate Service”,our business mainly focus on the distribution of electronic components. Line cards we deal with include Microchip,ALPS,ROHM,Xilinx,Pulse,ON,Everlight and Freescale. Main products comprise IC,Modules,Potentiometer,IC Socket,Relay,Connector.Our parts cover such applications as commercial,industrial, and automotives areas.

We are looking forward to setting up business relationship with you and hope to provide you with the best service and solution. Let us make a better world for our industry!



Contact us

Tel: +86-755-8981 8866 Fax: +86-755-8427 6832

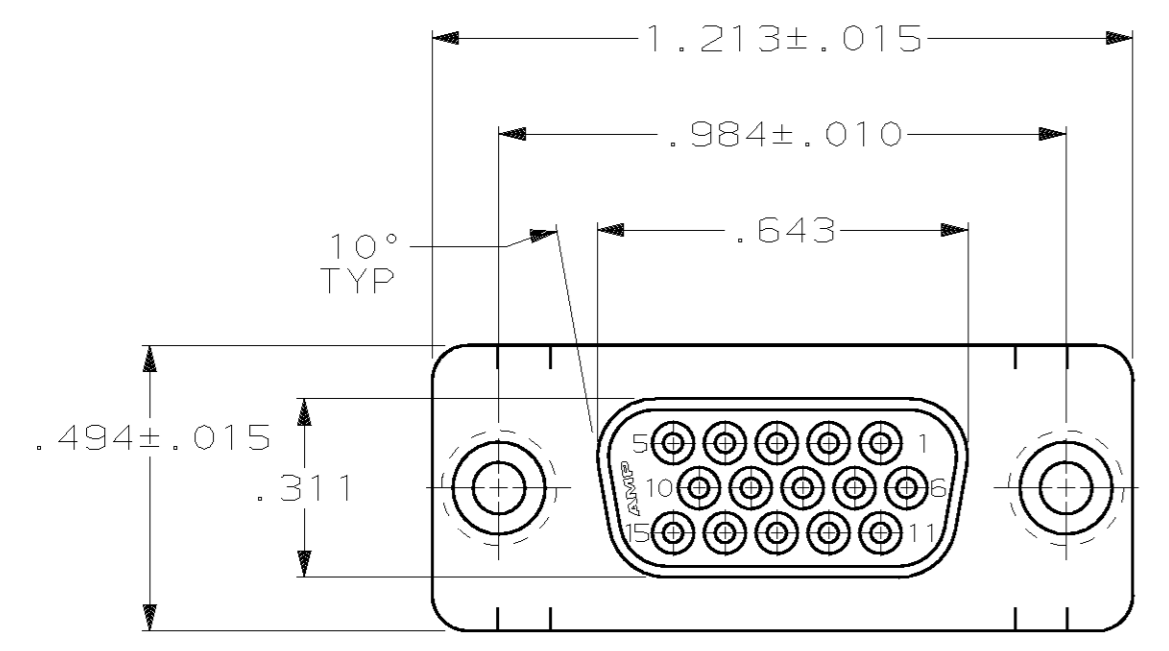
Email & Skype: info@chipsmall.com Web: www.chipsmall.com

Address: A1208, Overseas Decoration Building, #122 Zhenhua RD., Futian, Shenzhen, China

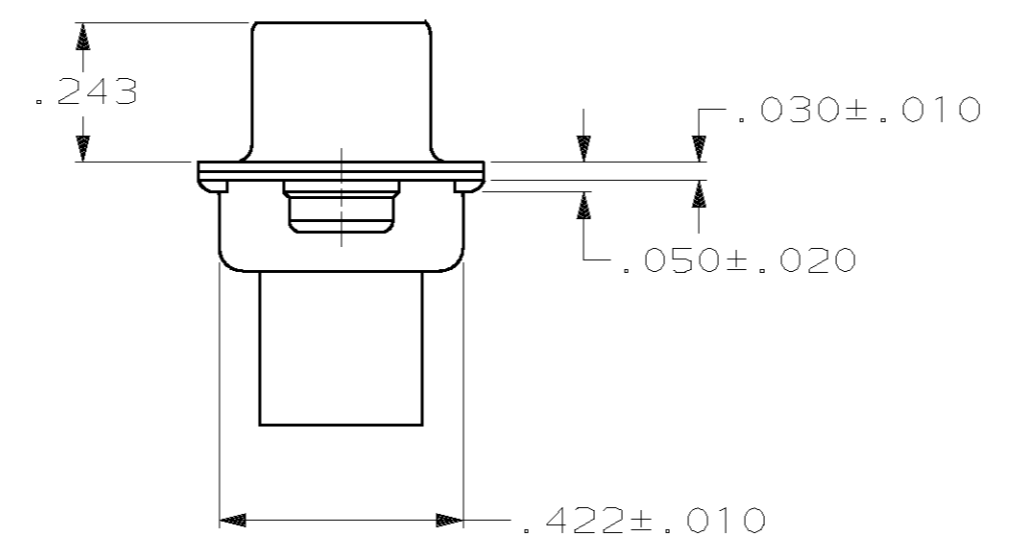
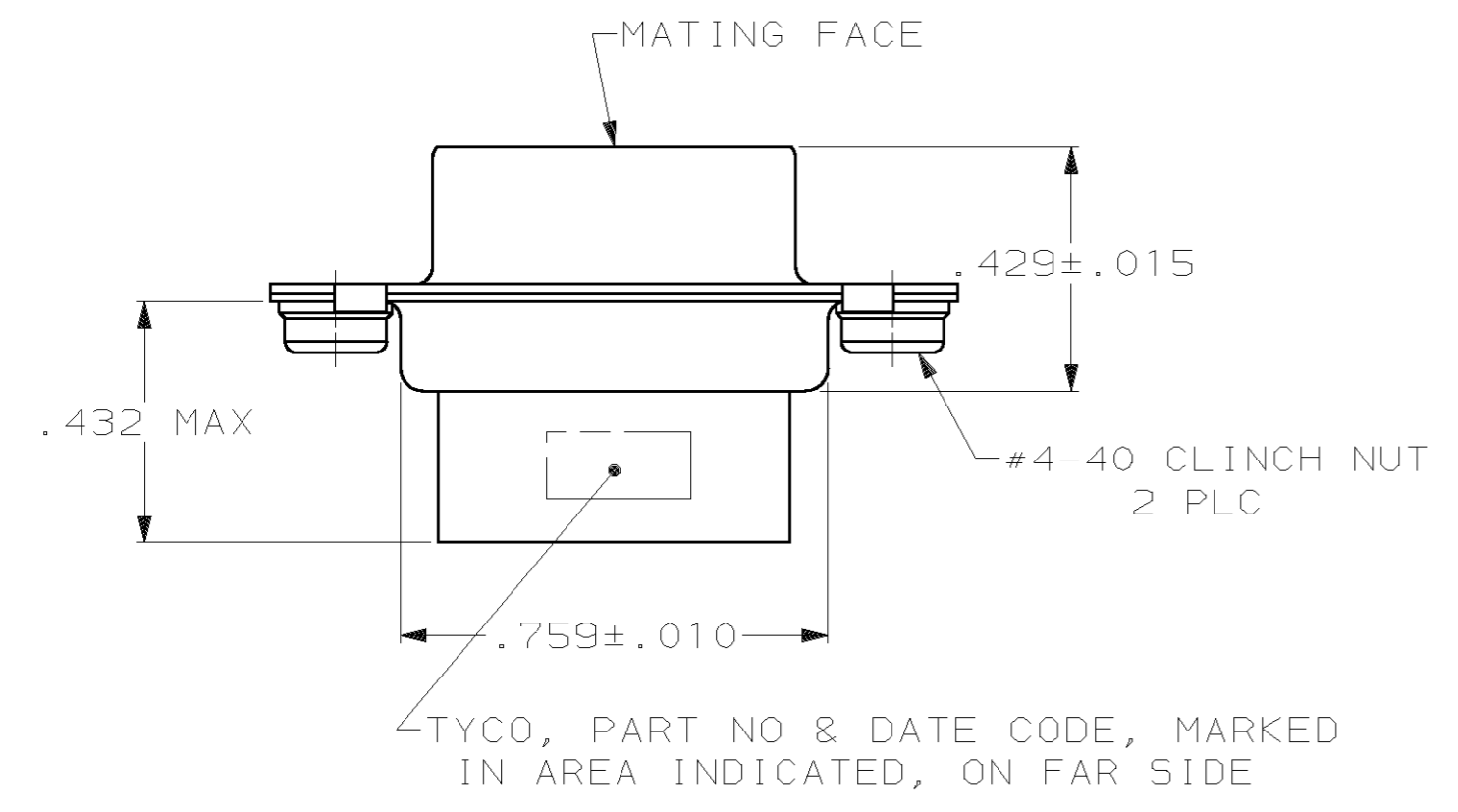


THIS DRAWING IS UNPUBLISHED. RELEASED FOR PUBLICATION
 (C) COPYRIGHT 19 BY AMP INCORPORATED. ALL RIGHTS RESERVED.

| LOC | DIST | REVISIONS | | | |
|-----|------|-------------|------------------------------|---------|-------|
| P | LTR | DESCRIPTION | DATE | DWN | APVD |
| GP | 00 | 0 | RELEASED PER EC 0513-0209-03 | 02JAN04 | LB SB |



1. CONNECTOR ACCEPTS 22 DF SOCKET CONTACTS, RETENTION TINES ARE AN INTEGRAL PART OF INSERT.
- ② FLAME RETARDANT 94V-0 RATED GLASS FILLED NYLON, COLOR: BLACK.
- ③ CARBON STEEL.
- ④ .000200 MIN. TIN PLATE OVER .000100 MIN. COPPER UNDERPLATE.
- ⑤ CLEAR CHROMATE OVER ZINC PLATE.



1658690-1
PART NUMBER

| | | | | |
|---|--|--------------------------------|--|-----------------------|
| THIS DRAWING IS A CONTROLLED DOCUMENT. | | DWN L. BAUM 02JAN04 | AMP Incorporated Harrisburg, PA 17105-3608 | |
| DIMENSIONS: INCH | | CHK S. BOLASH 02JAN04 | NAME | |
| TOLERANCES UNLESS OTHERWISE SPECIFIED: | | APVD M. WALMSLEY 02JAN04 | RECEPTACLE ASSEMBLY, SIZE 1, 15 POSN, CLINCH NUTS, HDP-22, AMPLIMITE® | |
| 0 PLC ± 1 PLC ± 2 PLC ± 3 PLC ±.005 4 PLC ± ANGLES ±2° | | PRODUCT SPEC 108-1268 | SIZE A2 | RESTRICTED TO |
| MATERIAL MOLDED PARTS: ② SHELLS & CLINCH NUTS: ③ | | APPLICATION SPEC 114-10001 | CAGE CODE 00779 | DRAWING NO 1658690 |
| FINISH SHELLS: ④ CLINCH NUTS: ⑤ | | WEIGHT - | SCALE 3:1 | SHEET 1 OF 1 |
| | | CUSTOMER DRAWING | REV 0 | |