



Chipsmall Limited consists of a professional team with an average of over 10 year of expertise in the distribution of electronic components. Based in Hongkong, we have already established firm and mutual-benefit business relationships with customers from,Europe,America and south Asia,supplying obsolete and hard-to-find components to meet their specific needs.

With the principle of “Quality Parts,Customers Priority,Honest Operation,and Considerate Service”,our business mainly focus on the distribution of electronic components. Line cards we deal with include Microchip,ALPS,ROHM,Xilinx,Pulse,ON,Everlight and Freescale. Main products comprise IC,Modules,Potentiometer,IC Socket,Relay,Connector.Our parts cover such applications as commercial,industrial, and automotives areas.

We are looking forward to setting up business relationship with you and hope to provide you with the best service and solution. Let us make a better world for our industry!



Contact us

Tel: +86-755-8981 8866 Fax: +86-755-8427 6832

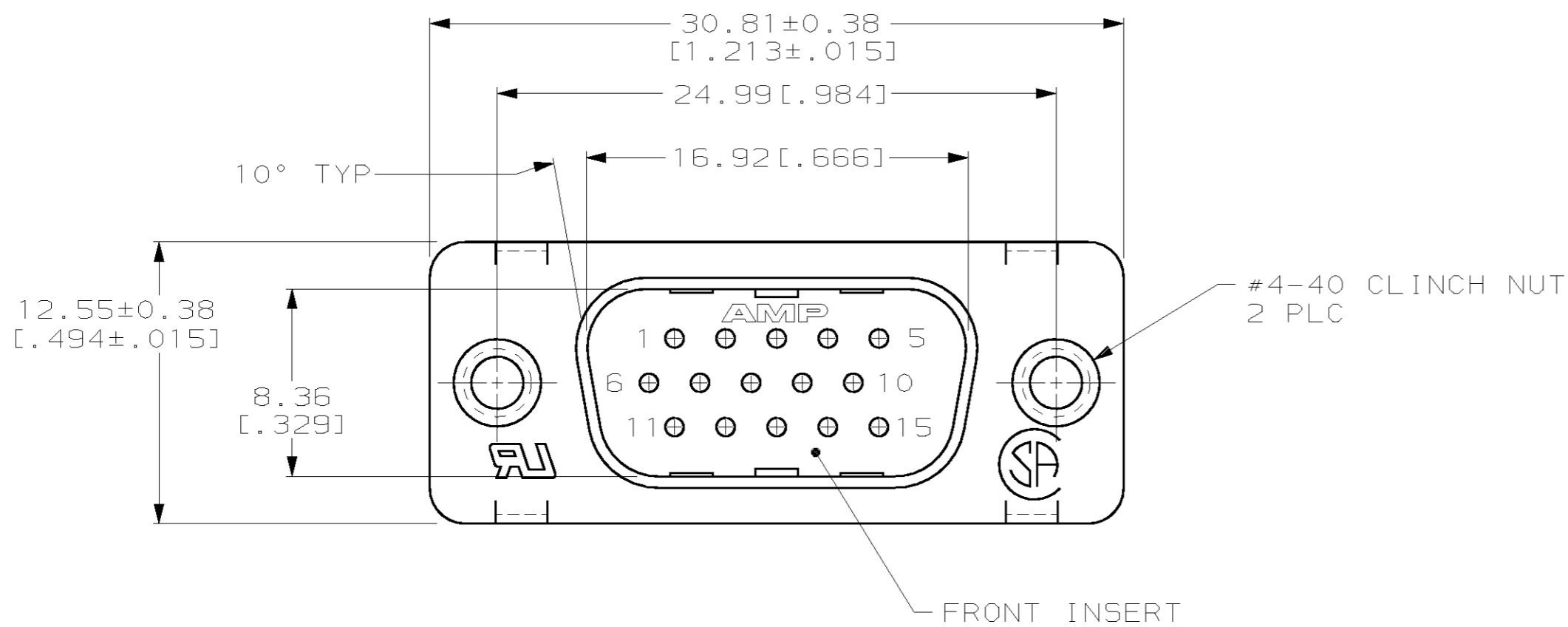
Email & Skype: info@chipsmall.com Web: www.chipsmall.com

Address: A1208, Overseas Decoration Building, #122 Zhenhua RD., Futian, Shenzhen, China

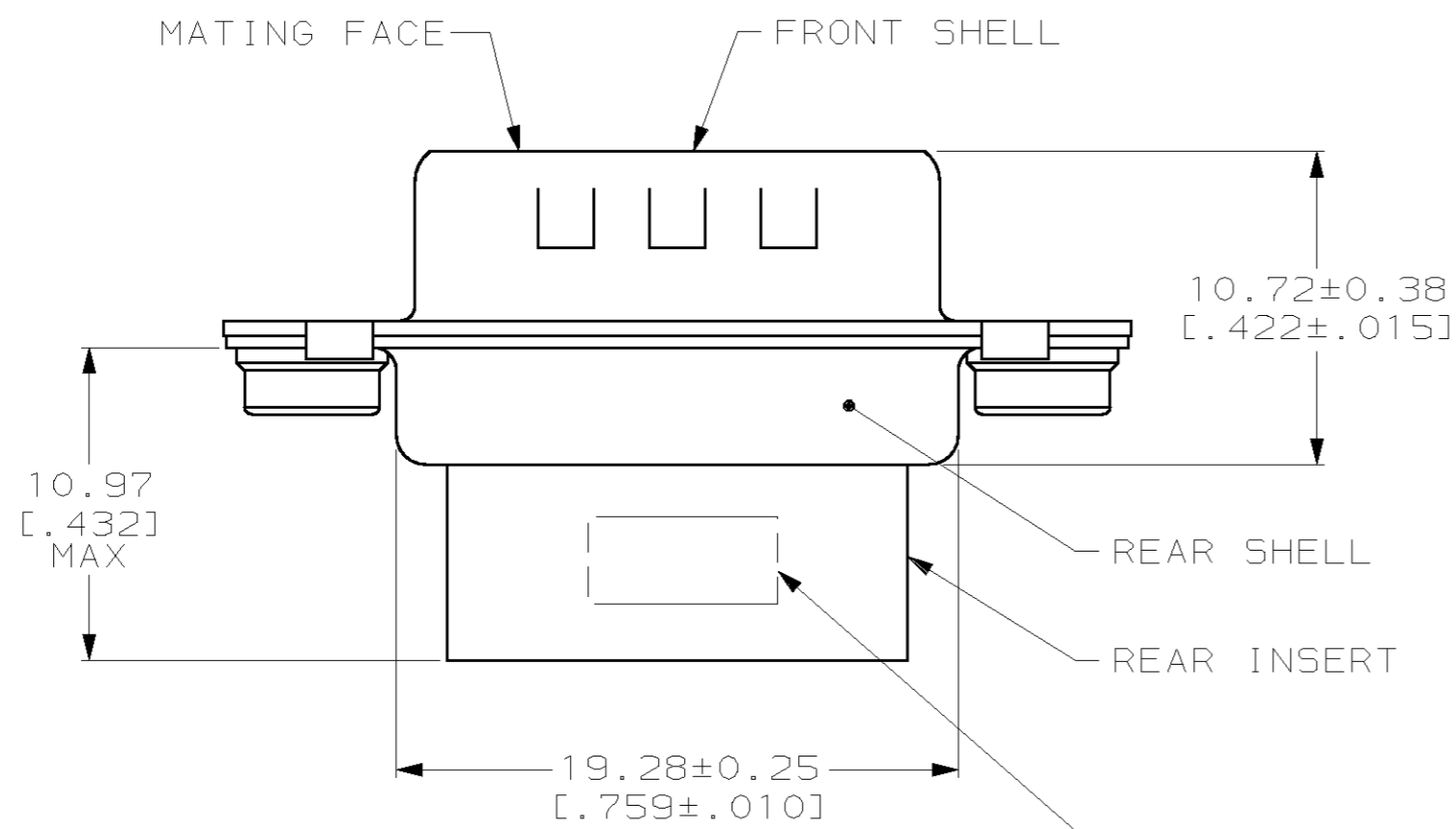


THIS DRAWING IS UNPUBLISHED. RELEASED FOR PUBLICATION
 BY AMP INCORPORATED, ALL RIGHTS RESERVED.

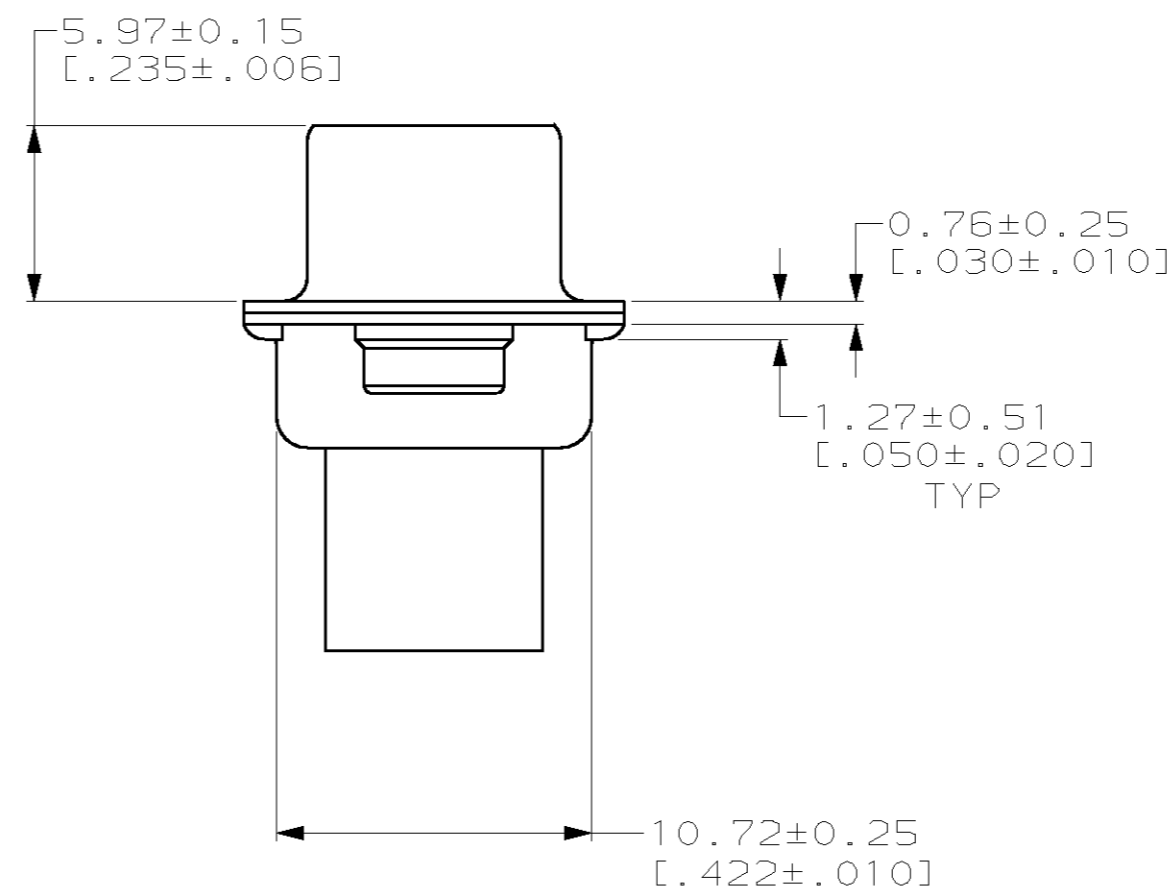
LOC	DIST	REVISIONS			
P	LTR	DESCRIPTION	DATE	DWN	APVD
GP	00				
	0	RELEASED PER EC 0513-0209-03	02JAN04	LB	SB



- CONNECTOR ACCEPTS 22 DF PIN CONTACTS, RETENTION TINES ARE AN INTEGRAL PART OF INSERT.
- CLINCH NUT & SHELLS: CARBON STEEL.
INSERTS: NYLON, BLACK, UL 94V-0 RATED.
- SHELLS: $5.08 \mu\text{m}$ [$.000200$] MIN TIN OVER $2.54 \mu\text{m}$ [$.000100$] MIN COPPER UNDERPLATE.
CLINCH NUT: CLEAR CHROMATE OVER ZINC PLATE.



TYCO, PART NUMBER AND DATE CODE MARKED IN AREA INDICATED, ON FAR SIDE



1658691-1
 PART NUMBER

THIS DRAWING IS A CONTROLLED DOCUMENT.		DWN L. BAUM 02JAN04	AMP Incorporated Harrisburg, PA 17105-3608	
DIMENSIONS: mm (INCH)		CHK S. BOLASH 02JAN04	NAME M. WALMSLEY 02JAN04	
TOLERANCES UNLESS OTHERWISE SPECIFIED:		APVD M. WALMSLEY 02JAN04	PRODUCT SPEC 108-1268	
0 PLC ± 1 PLC ± 2 PLC ±0.13 [.005] 3 PLC ± 4 PLC ±		APPLICATION SPEC 114-10001	SIZE A2	CAGE CODE 00779
MATERIAL		FINISH	WEIGHT -	DRAWING NO 1658691
			CUSTOMER DRAWING	RESTRICTED TO -
			SCALE 4:1	SHEET 1 OF 1
				REV 0