



Chipsmall Limited consists of a professional team with an average of over 10 year of expertise in the distribution of electronic components. Based in Hongkong, we have already established firm and mutual-benefit business relationships with customers from,Europe,America and south Asia,supplying obsolete and hard-to-find components to meet their specific needs.

With the principle of “Quality Parts,Customers Priority,Honest Operation,and Considerate Service”,our business mainly focus on the distribution of electronic components. Line cards we deal with include Microchip,ALPS,ROHM,Xilinx,Pulse,ON,Everlight and Freescale. Main products comprise IC,Modules,Potentiometer,IC Socket,Relay,Connector.Our parts cover such applications as commercial,industrial, and automotives areas.

We are looking forward to setting up business relationship with you and hope to provide you with the best service and solution. Let us make a better world for our industry!



Contact us

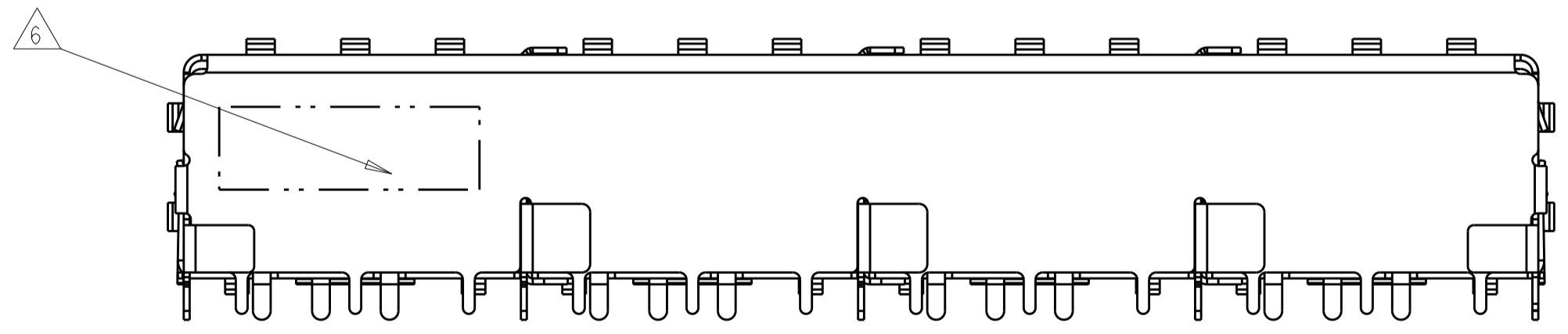
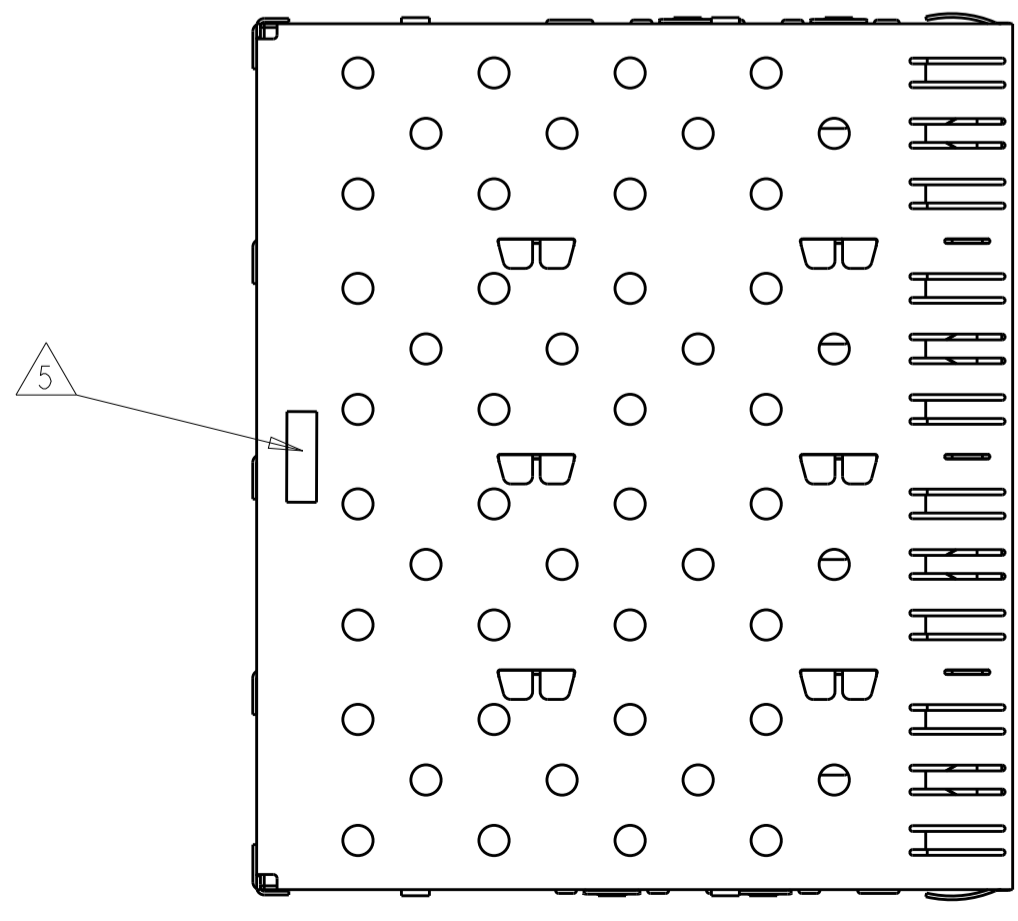
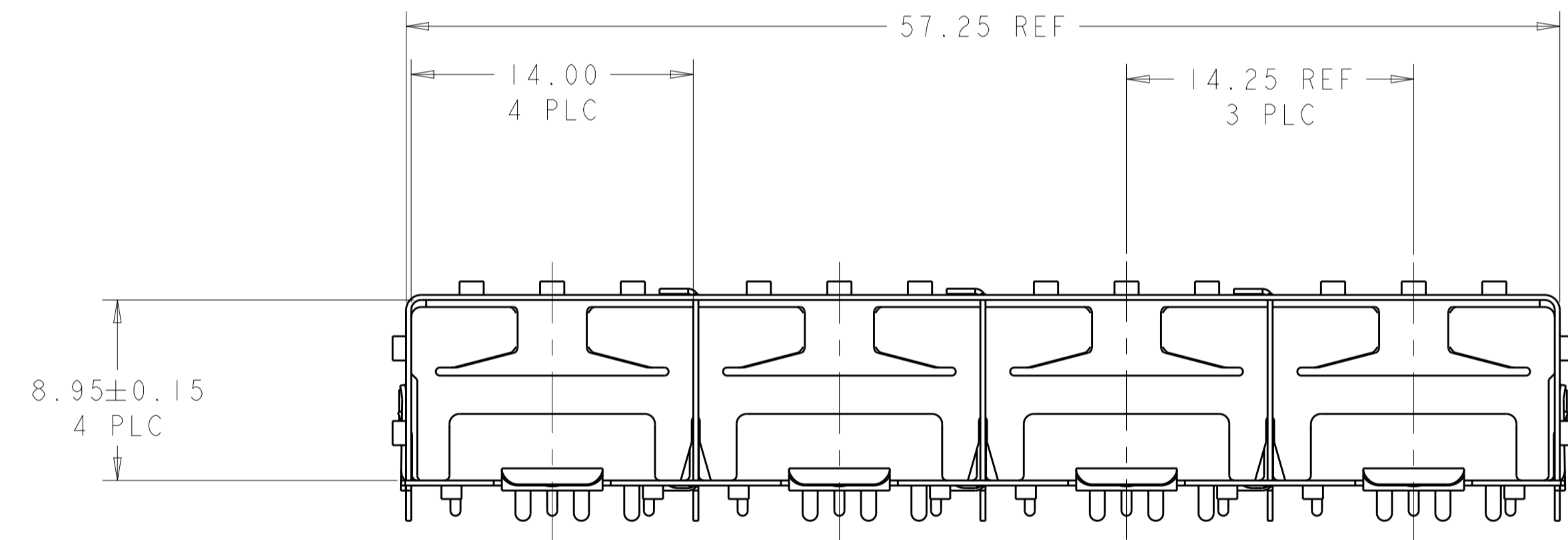
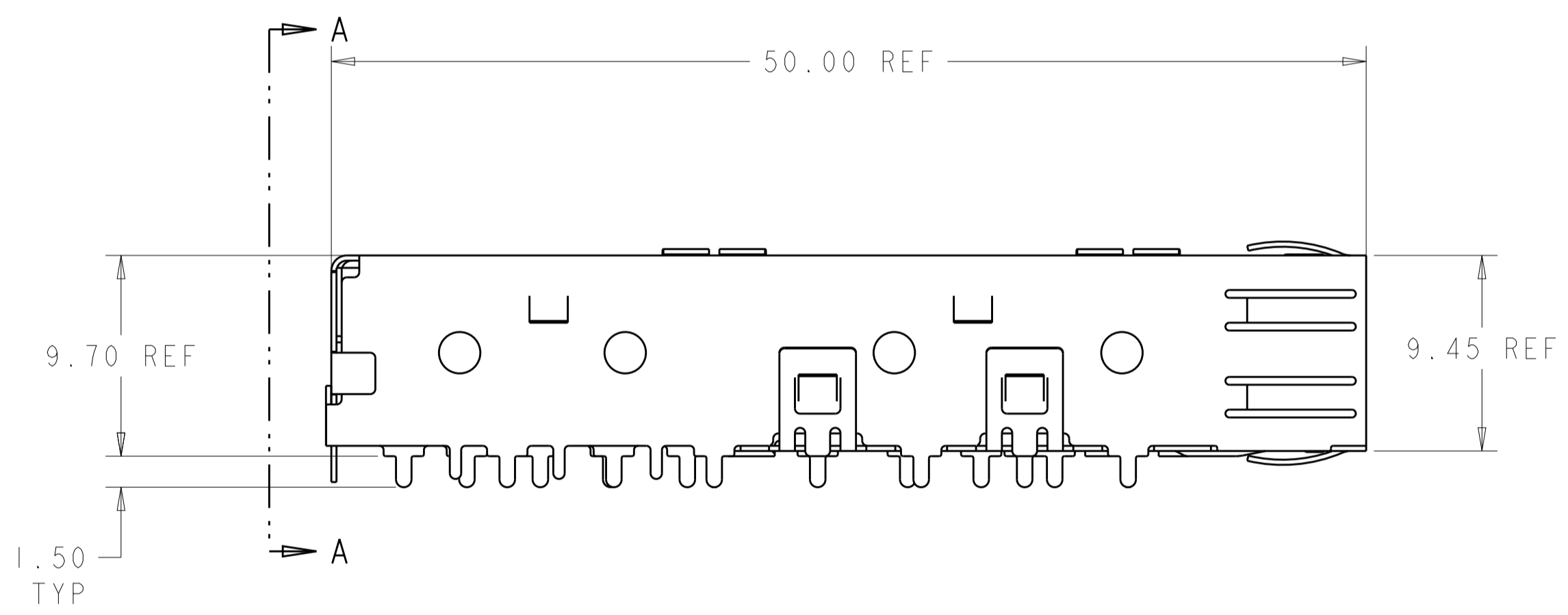
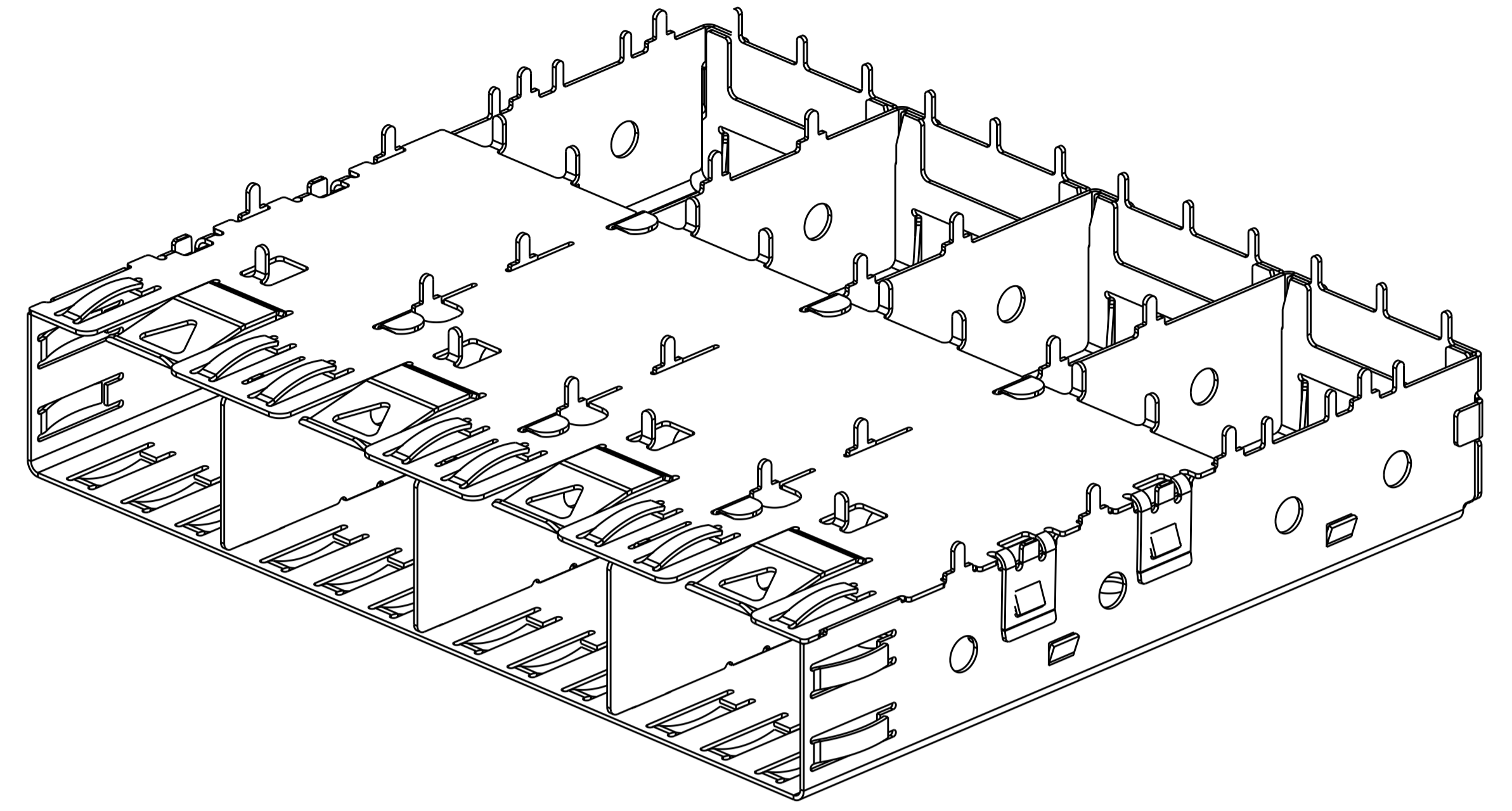
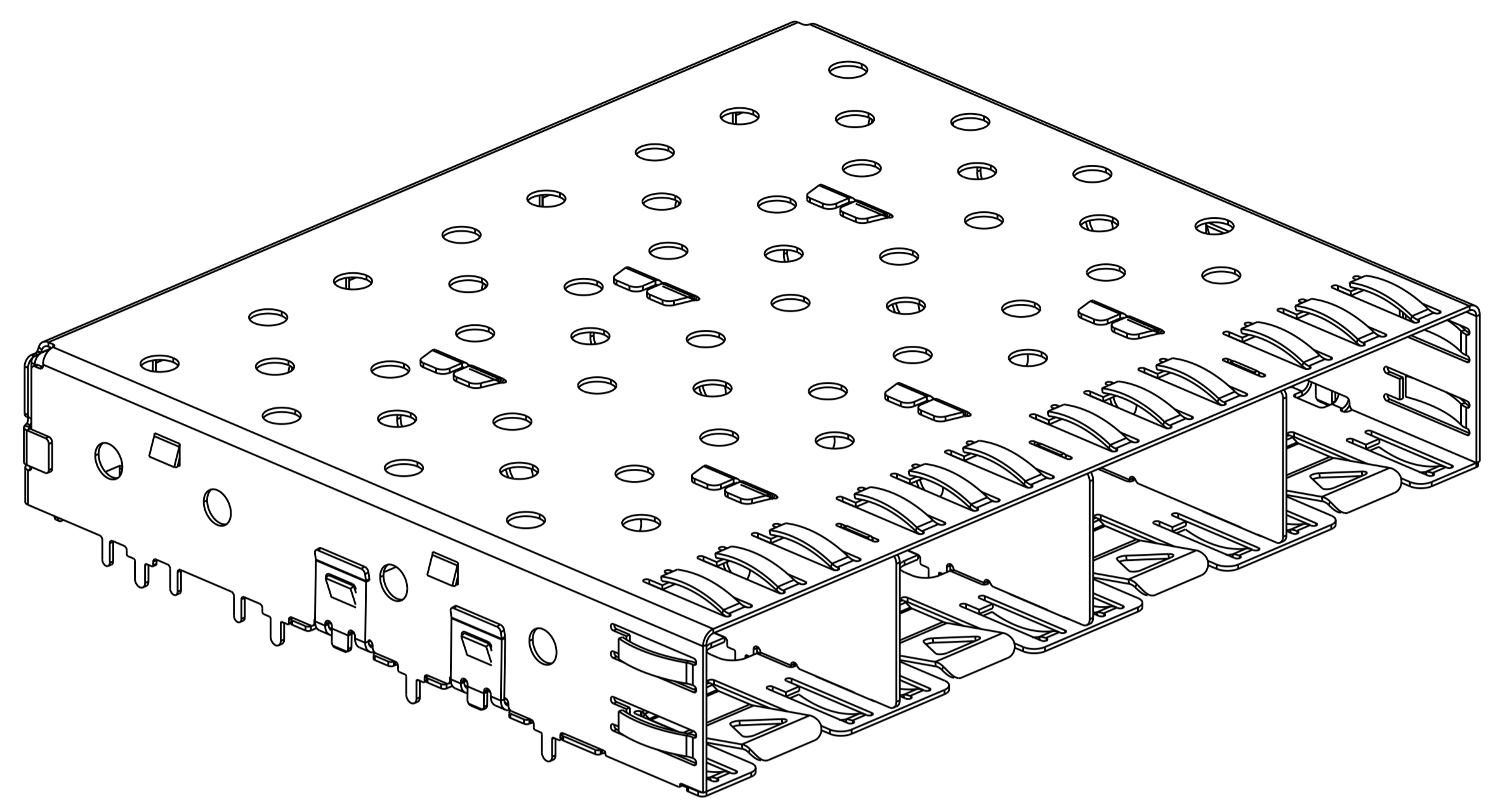
Tel: +86-755-8981 8866 Fax: +86-755-8427 6832

Email & Skype: info@chipsmall.com Web: www.chipsmall.com

Address: A1208, Overseas Decoration Building, #122 Zhenhua RD., Futian, Shenzhen, China



LOC	DIST	REVISIONS			
P	LTN	DESCRIPTION	DATE	DWN	APVD
GP	00				
	D1	REVISED PER ECO-11-004835	11MAR2011	RK	HMR
	E	REVISED PER ECO-14-000886	20FEB2014	JW	SH
	E1	REVISED PER ECO-14-004667	26MAR2014	JW	SH
	E2	REVISED PER ECO-14-010419	11JUL2014	JW	SH



- △ MATERIAL: 0.25MM THICK COPPER ALLOY.
- △ FINISH: 1.25µm MINIMUM TIN PER ASTM B 545 OVER NICKEL FLASH PER QQ-N-290. NONPLATED EDGES PERMISSIBLE.
- △ PADS AND VIAS CHASSIS GROUND.
- △ DATUM AND BASIC DIMENSION ESTABLISHED BY CUSTOMER.
- △ COMPANY LOGO IN APPROXIMATE AREA SHOWN.
- △ DATE CODE AND PART NUMBER IN APPROXIMATE AREA SHOWN.
- △ MATERIAL: 0.25MM THICK NICKEL SILVER ALLOY,
- △ FINISH: 0.002 MM MIN TIN DIPPED ON SOLDER PINS

SCALE 2:1

NO	△	1658723-2
△	△	1658723-1
FINISH	MATERIAL	PART NUMBER

THIS DRAWING IS A CONTROLLED DOCUMENT.

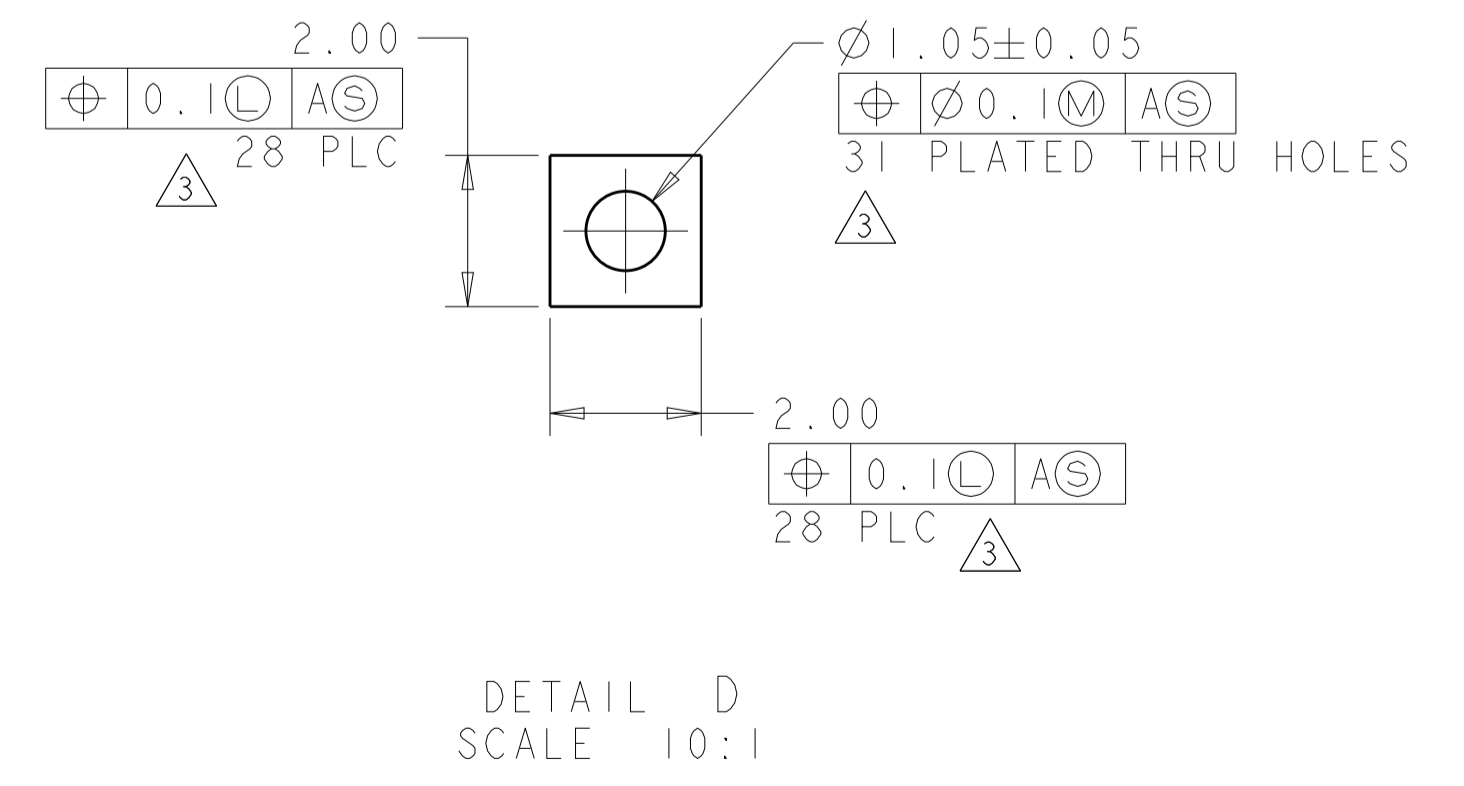
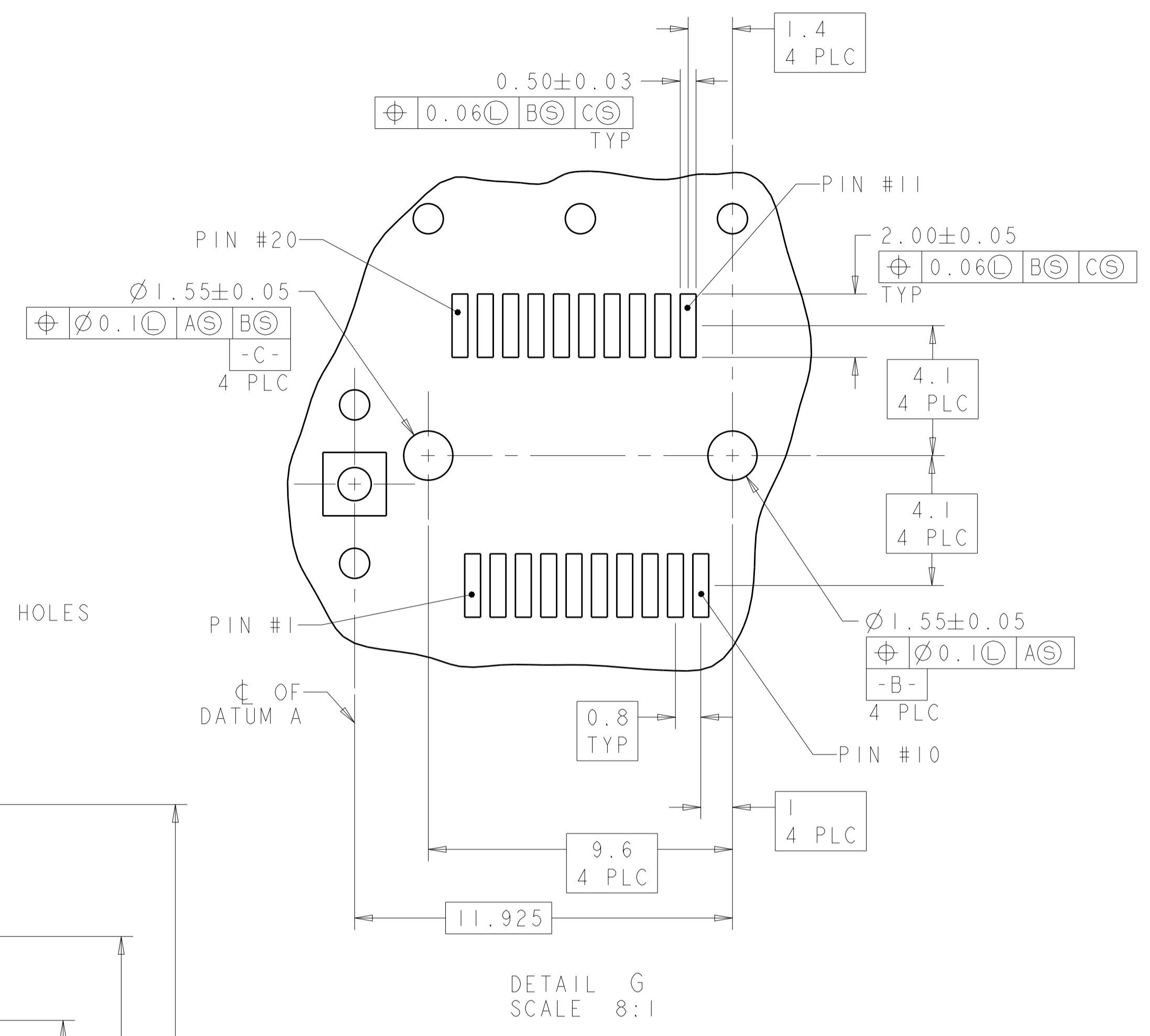
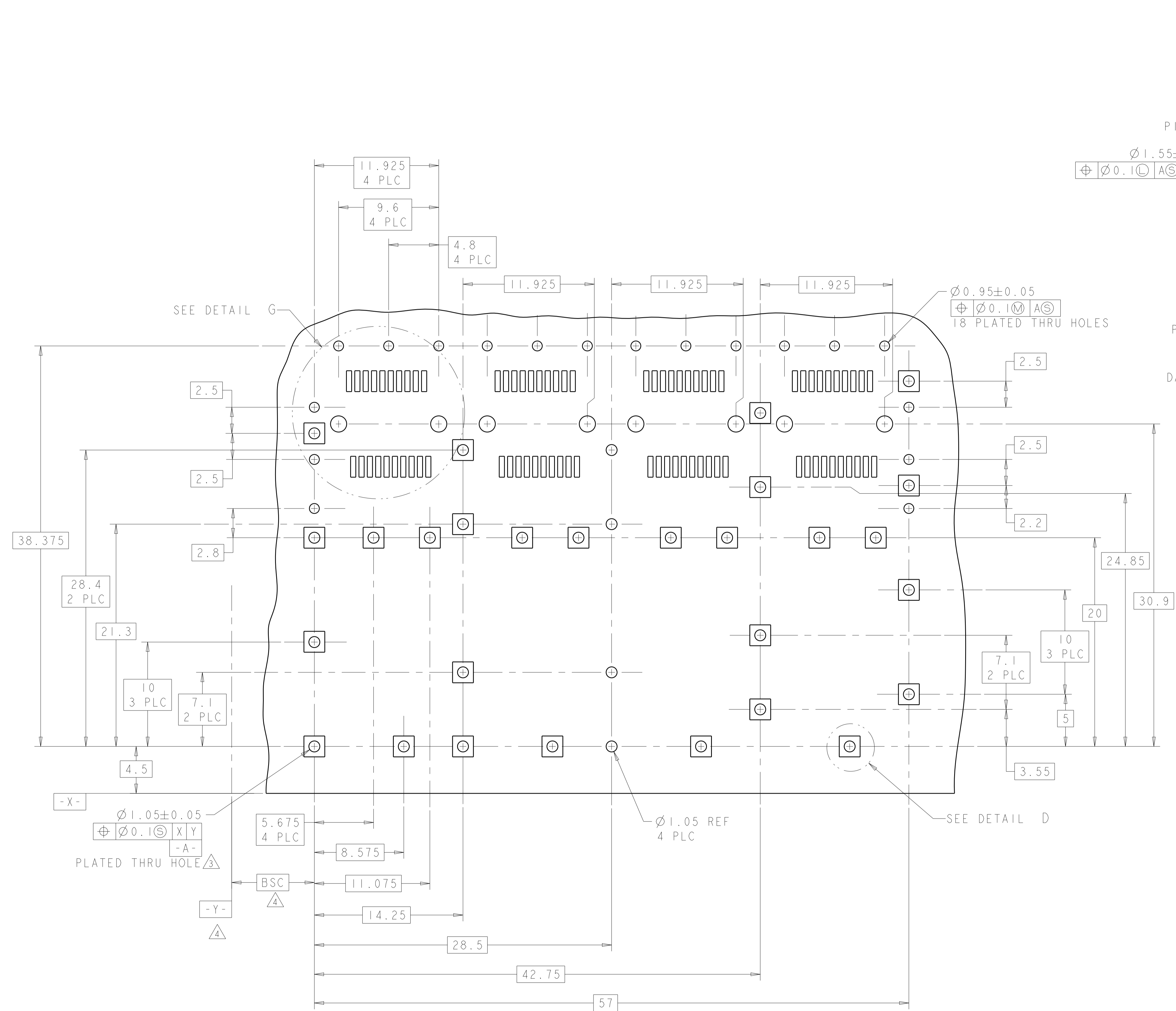
DIMENSIONS:	TOLERANCES UNLESS OTHERWISE SPECIFIED:	DWN	13MAY03	TE Connectivity
mm	0 PLC ±	CHK	06MAY04	
	1 PLC ±0.10	APVD	06MAY04	
	2 PLC ±	NAME		
	3 PLC ±	PRODUCT SPEC		CAGE ASSEMBLY, SOLDER LEG, 1X4, SFP
	4 PLC ±	APPLICATION SPEC		
	ANGLES ±	SIZE	114-13017	
MATERIAL	FINISH	WEIGHT		
△	△			

CUSTOMER DRAWING

SCALE 4:1 SHEET 1 OF 2 REV E2

LOC	DIST	REV	DATE	BY	APPV
GP	00				

REVISIONS		DATE	BY	APPV
1	SEE SHEET 1			



RECOMMENDED PCB LAYOUT
 SCALE 5:1

THIS DRAWING IS A CONTROLLED DOCUMENT.		OWN: M. SHIRK 13MAY03	TE Connectivity
DIMENSIONS: mm		CHK: J. KOPPENHEFFER 06MAY04	
TOLERANCES UNLESS OTHERWISE SPECIFIED:		APPV: M. WALMSLEY 06MAY04	NAME: CAGE ASSEMBLY, SOLDER LEG, 1X4, SFP
0 PLC ±	1 PLC ±0.10	PRODUCT SPEC: 108-1950	SIZE: A100779C=1658723
2 PLC ±	3 PLC ±	APPLICATION SPEC: 114-13017	RESTRICTED TO: -
4 PLC ±	ANGLES ±	WEIGHT: -	SCALE: 4:1 SHEET 2 OF 2 REV: E2
MATERIAL: -	FINISH: -	CUSTOMER DRAWING	