



Chipsmall Limited consists of a professional team with an average of over 10 year of expertise in the distribution of electronic components. Based in Hongkong, we have already established firm and mutual-benefit business relationships with customers from,Europe,America and south Asia,supplying obsolete and hard-to-find components to meet their specific needs.

With the principle of “Quality Parts,Customers Priority,Honest Operation,and Considerate Service”,our business mainly focus on the distribution of electronic components. Line cards we deal with include Microchip,ALPS,ROHM,Xilinx,Pulse,ON,Everlight and Freescale. Main products comprise IC,Modules,Potentiometer,IC Socket,Relay,Connector.Our parts cover such applications as commercial,industrial, and automotives areas.

We are looking forward to setting up business relationship with you and hope to provide you with the best service and solution. Let us make a better world for our industry!



Contact us

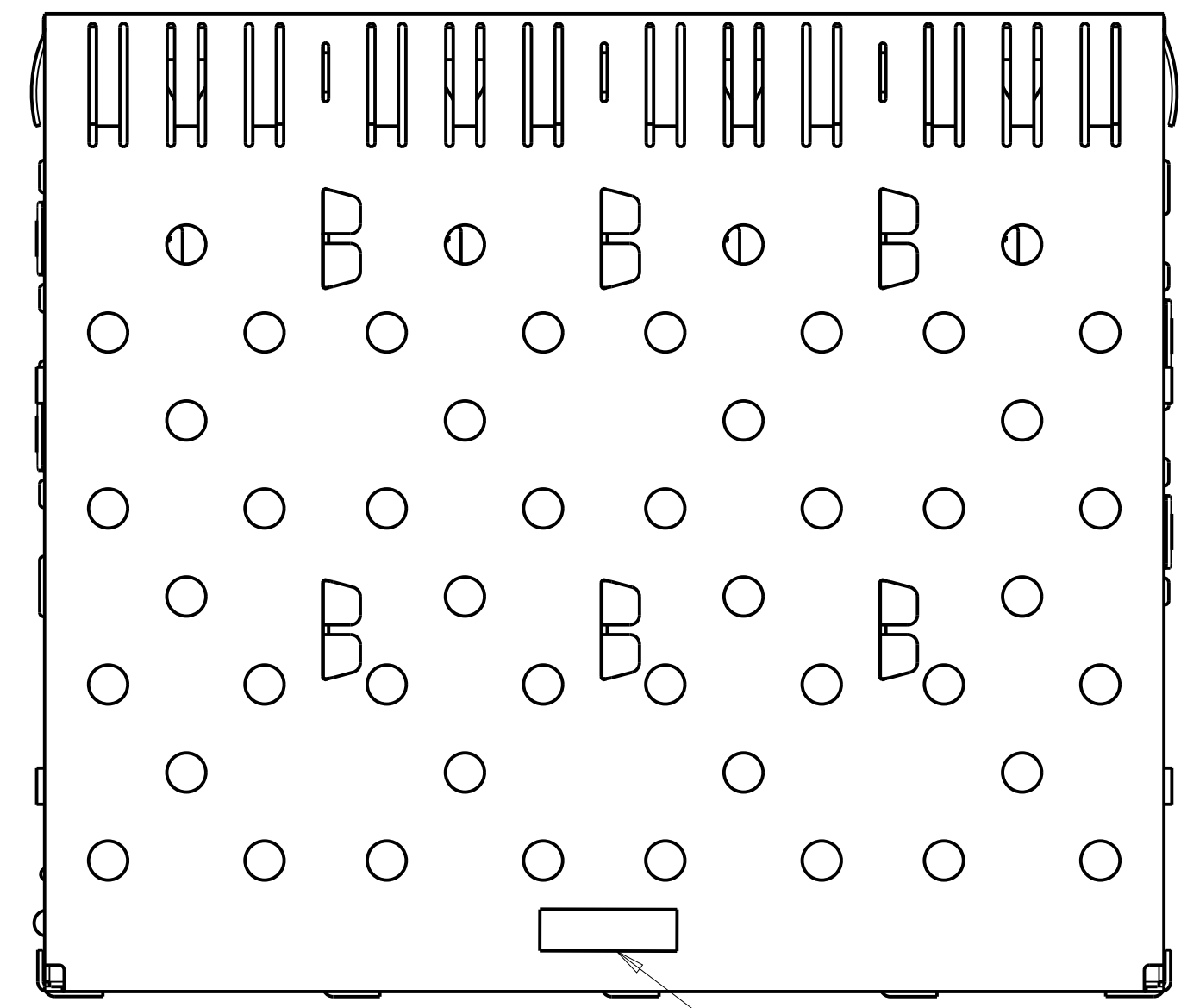
Tel: +86-755-8981 8866 Fax: +86-755-8427 6832

Email & Skype: info@chipsmall.com Web: www.chipsmall.com

Address: A1208, Overseas Decoration Building, #122 Zhenhua RD., Futian, Shenzhen, China

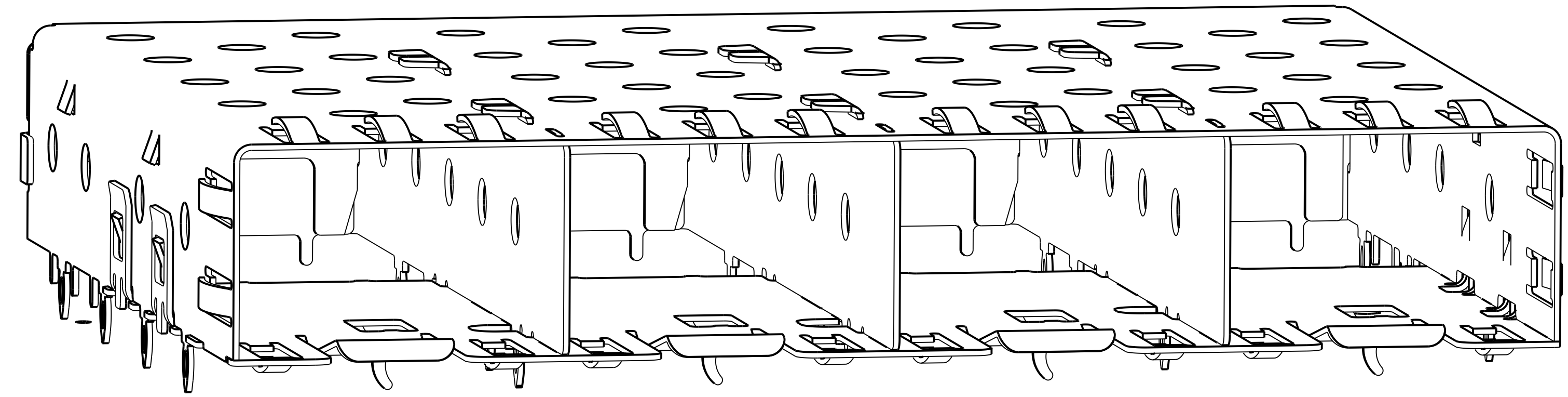
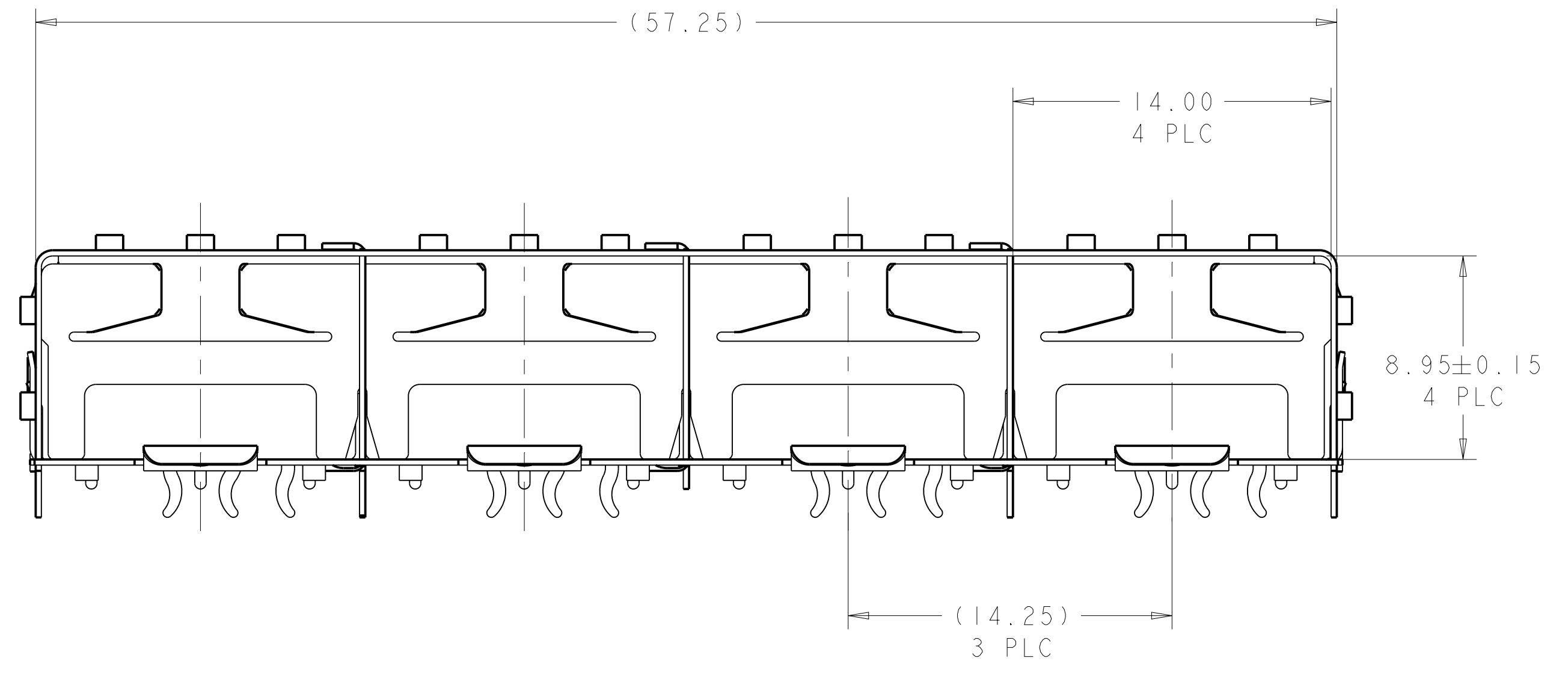
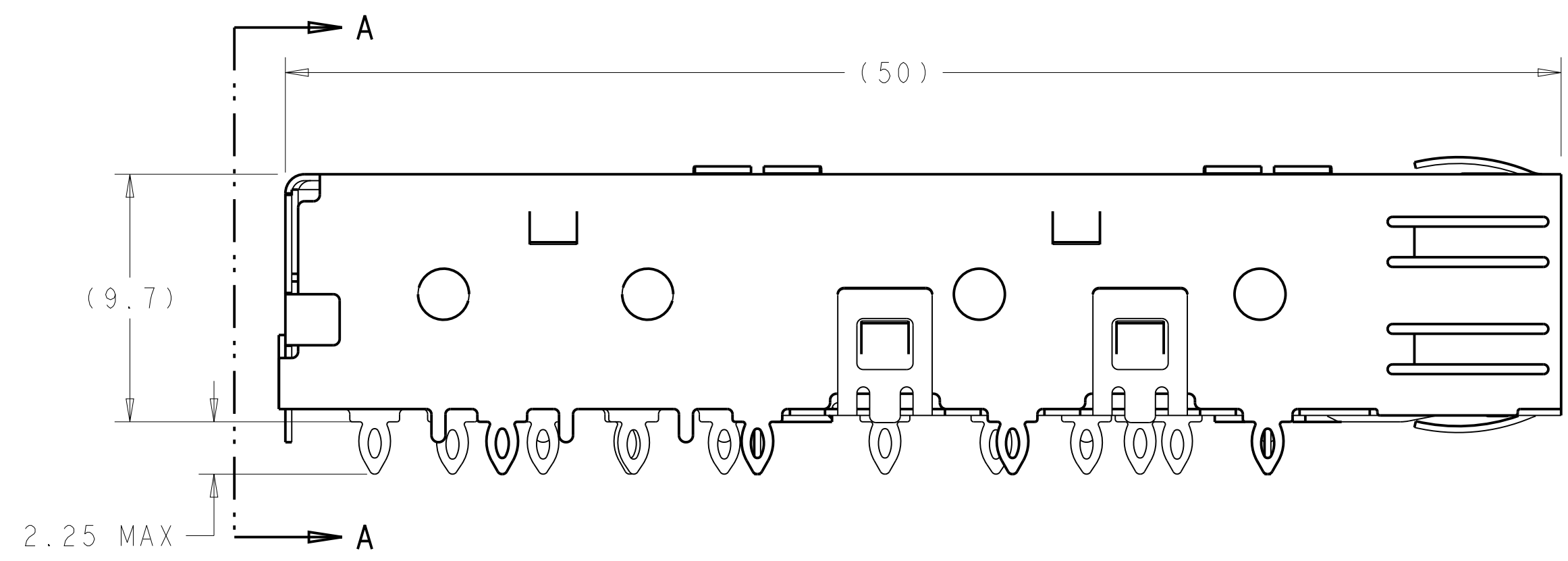


LOC	DIST	REVISIONS			
GP	00	REV	DATE	BY	CHKD
		G1	01APR2011	JY	CW
		H	13JUN2012	JY	AC
		J	20FEB2014	JW	SH
		J1	11JUL2014	JW	SH

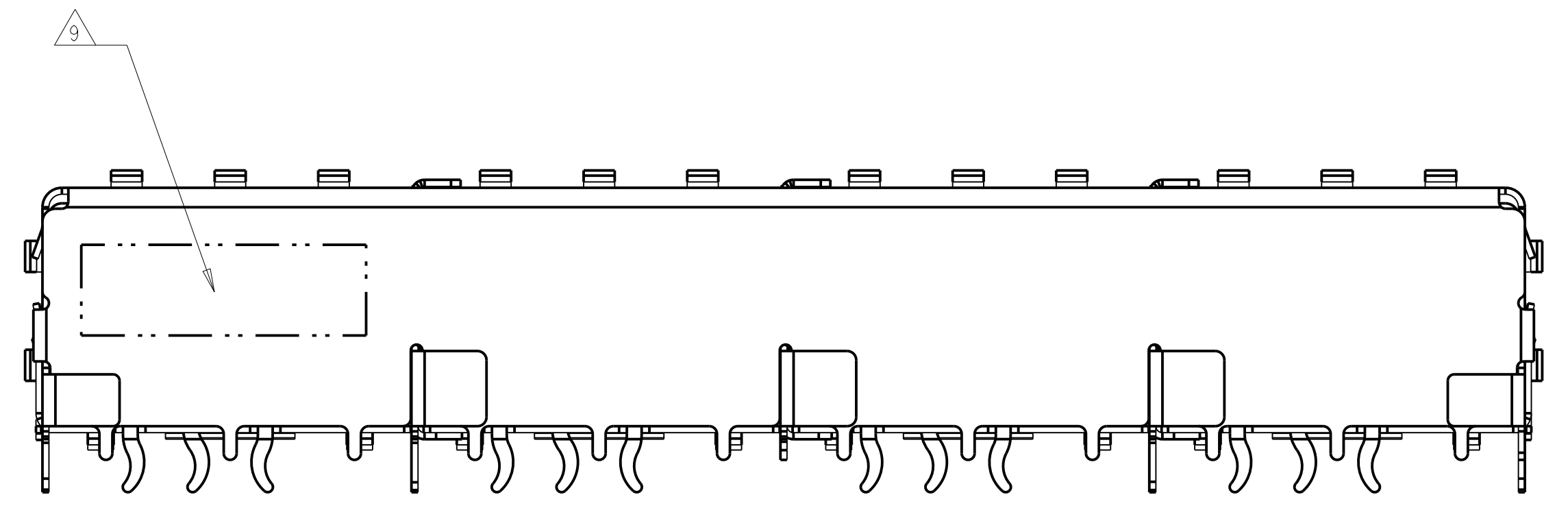


SCALE 3:1 △7

- △1 MATERIAL: 0.25 THICK COPPER ALLOY.
- △2 FINISH: TIN PLATING PER ASTM B 545, 1.25um MINIMUM THICKNESS ALL OVER NICKEL FLASH PER QQ-N-290. NONPLATED EDGES PERMISSIBLE.
- △3 PADS AND VIAS CHASSIS GROUND.
- △4 DATUM AND BASIC DIMENSION ESTABLISHED BY CUSTOMER.
- △5 REFERENCE APPLICATION SPEC 114-13120, HOLE A, FOR RECOMMENDED DRILL HOLE DIAMETER AND PLATING THICKNESSES.
- △6 REFERENCE APPLICATION SPEC 114-13120, HOLE B, FOR RECOMMENDED DRILL HOLE DIAMETER AND PLATING THICKNESSES.
- △7 COMPANY LOGO IN APPROXIMATE AREA SHOWN
- △8 PATTERN REPEATS FOR EACH PORT. SPACING BETWEEN PORTS IS 14.25 mm.
- △9 DATE CODE AND PART NUMBER IN APPROXIMATE AREA SHOWN.
- △10 MATERIAL: 0.25 THICK NICKEL SILVER ALLOY(NO PLATING).



1658744-1&-3
 1X4 CAGE ASSEMBLY
 SCALE 6:1



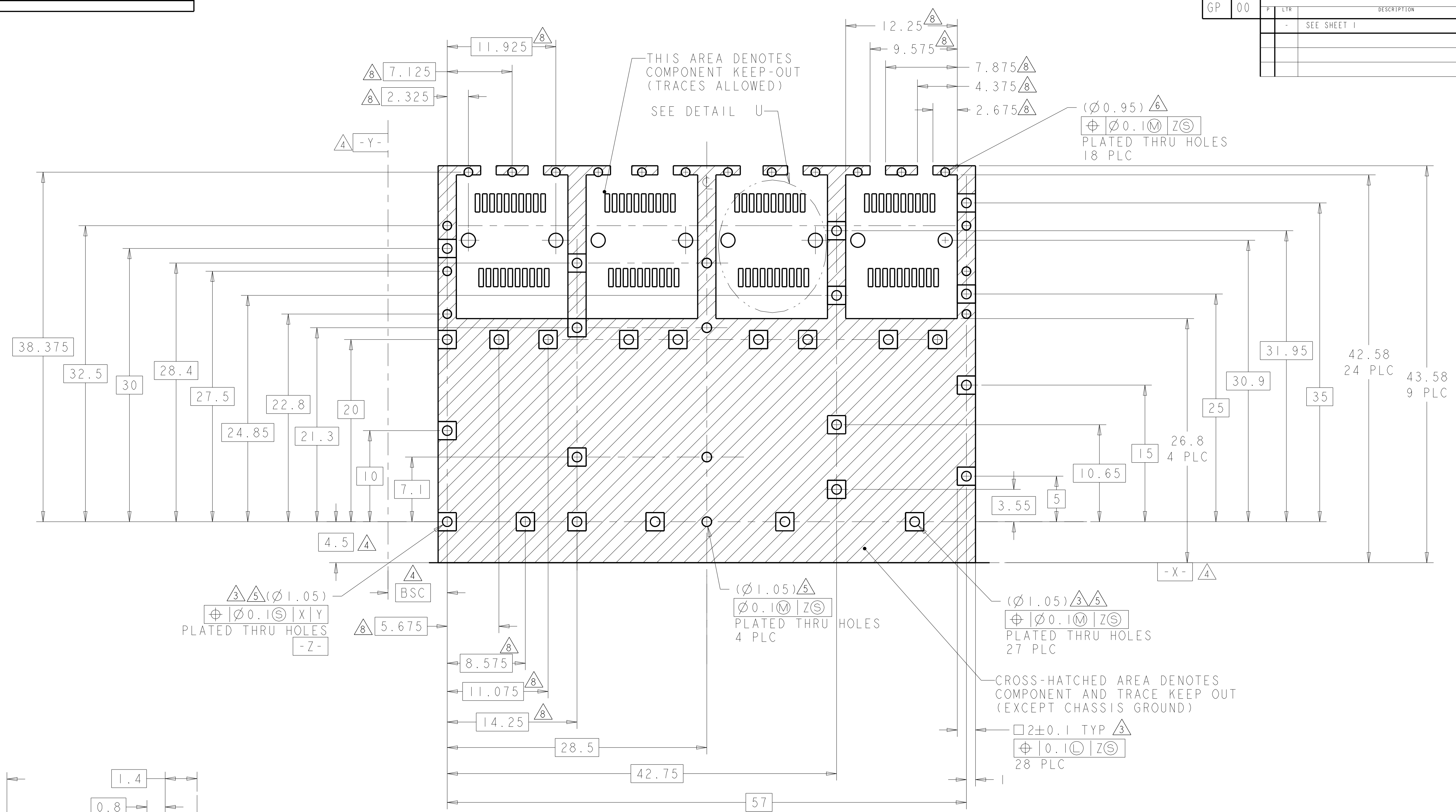
SECTION A-A

NO	△10	1X4	1658744-3
△2	△1	1X4	1658744-1
FINISH	MATERIAL	POSITION	PART NUMBER

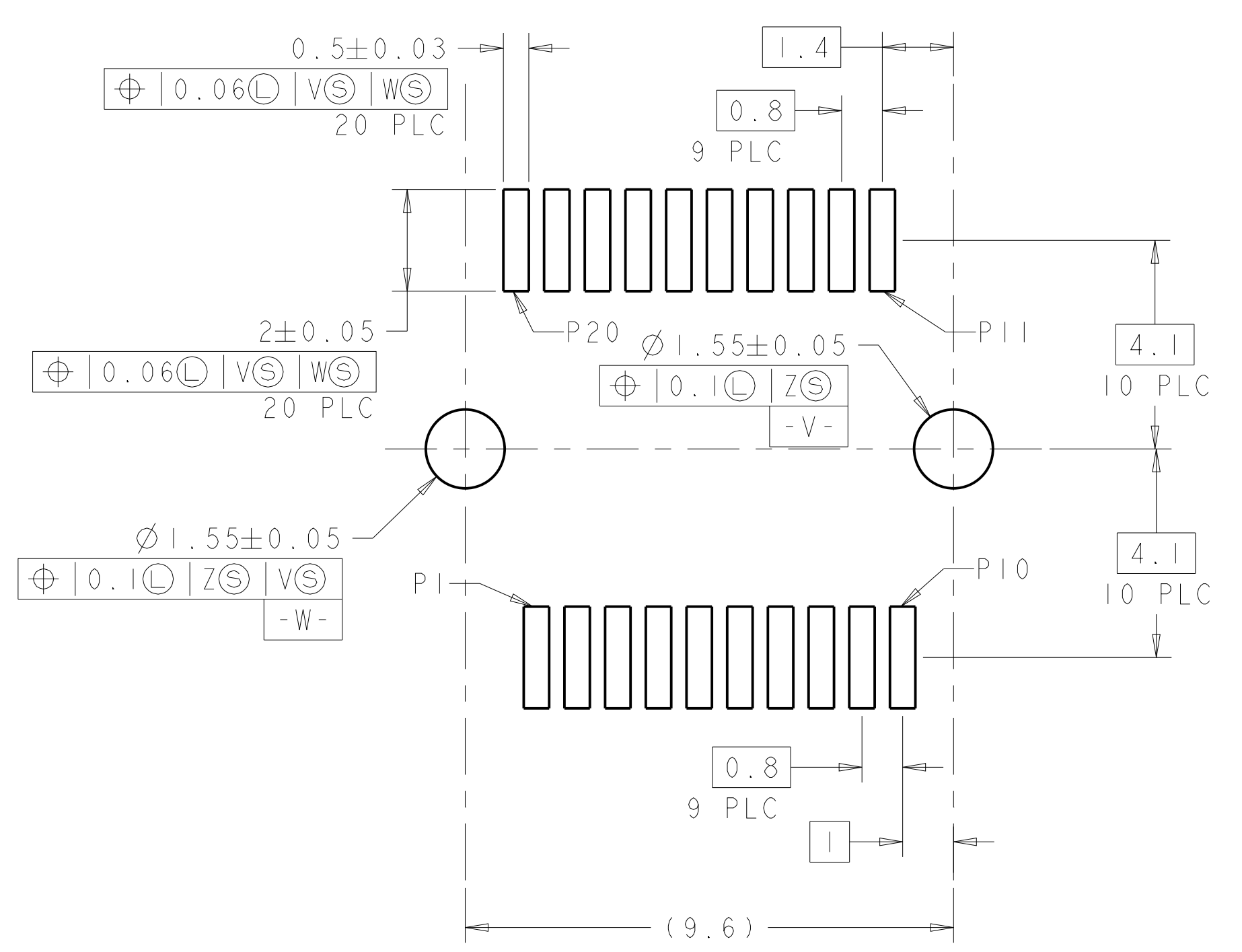
THIS DRAWING IS A CONTROLLED DOCUMENT.		OWN: M. SHIRK 04JUN03	TE Connectivity	
DIMENSIONS: mm		CHK: J. KOPPENHEFFER 06MAY04		
TOLERANCES UNLESS OTHERWISE SPECIFIED:		APVD: M. WALMSLEY 06MAY04	NAME: CAGE ASSEMBLY, 1X4 PRESS FIT, SFP	
0 PLC ±	1 PLC ±0.1	PRODUCT SPEC: 108-1950	SIZE: CAGE CODE DRAWING NO: A100779	
2 PLC ±	3 PLC ±	APPLICATION SPEC: 114-13120	RESTRICTED TO: -	
4 PLC ±	ANGLES ±	WEIGHT: -	SCALE: 5:1 SHEET 1 OF 2 REV J1	
MATERIAL: △1	FINISH: △2	CUSTOMER DRAWING	C=1658744	

LOC	DIST	REV	DATE	BY	APPV
GP	00				

REVISIONS					
REV	DATE	BY	APPV	DESCRIPTION	
-	-	-	-	SEE SHEET 1	



1658744-1
 RECOMMENDED PCB
 CONFIGURATION
 SCALE 4:1



DETAIL U
 RECOMMENDED PT CONNECTOR LAYOUT
 4X INDIVIDUALLY
 SCALE 10:1

THIS DRAWING IS A CONTROLLED DOCUMENT.		OWN: M. SHIRK 04JUN03		TE Connectivity
DIMENSIONS: mm		CHK: J. KOPPENHEFFER 06MAY04		CAGE ASSEMBLY, 1X4 PRESS FIT, SFP
TOLERANCES UNLESS OTHERWISE SPECIFIED:		APV: M. WALMSLEY 06MAY04	NAME	
0 PLC ±		PRODUCT SPEC	SIZE CAGE CODE DRAWING NO	
1 PLC ±0.1		APPLICATION SPEC	RESTRICTED TO	
2 PLC ±		114-13120	A100779C=1658744	
3 PLC ±		WEIGHT	SCALE 1:1 SHEET 2 OF 2 REV J1	
4 PLC ±		FINISH	CUSTOMER DRAWING	
ANGLES ±				