



Chipsmall Limited consists of a professional team with an average of over 10 year of expertise in the distribution of electronic components. Based in Hongkong, we have already established firm and mutual-benefit business relationships with customers from,Europe,America and south Asia,supplying obsolete and hard-to-find components to meet their specific needs.

With the principle of “Quality Parts,Customers Priority,Honest Operation,and Considerate Service”,our business mainly focus on the distribution of electronic components. Line cards we deal with include Microchip,ALPS,ROHM,Xilinx,Pulse,ON,Everlight and Freescale. Main products comprise IC,Modules,Potentiometer,IC Socket,Relay,Connector.Our parts cover such applications as commercial,industrial, and automotives areas.

We are looking forward to setting up business relationship with you and hope to provide you with the best service and solution. Let us make a better world for our industry!



Contact us

Tel: +86-755-8981 8866 Fax: +86-755-8427 6832

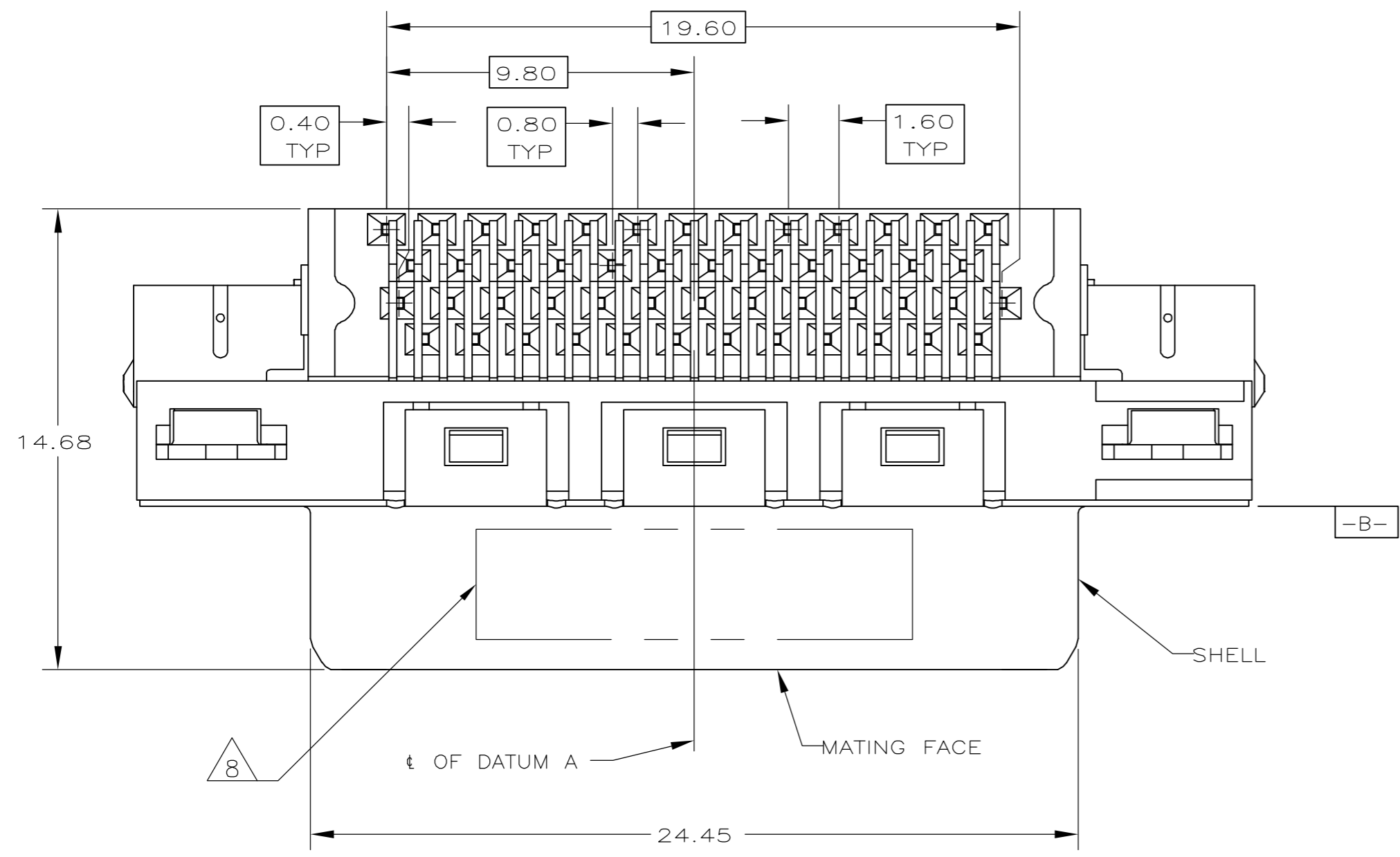
Email & Skype: info@chipsmall.com Web: www.chipsmall.com

Address: A1208, Overseas Decoration Building, #122 Zhenhua RD., Futian, Shenzhen, China

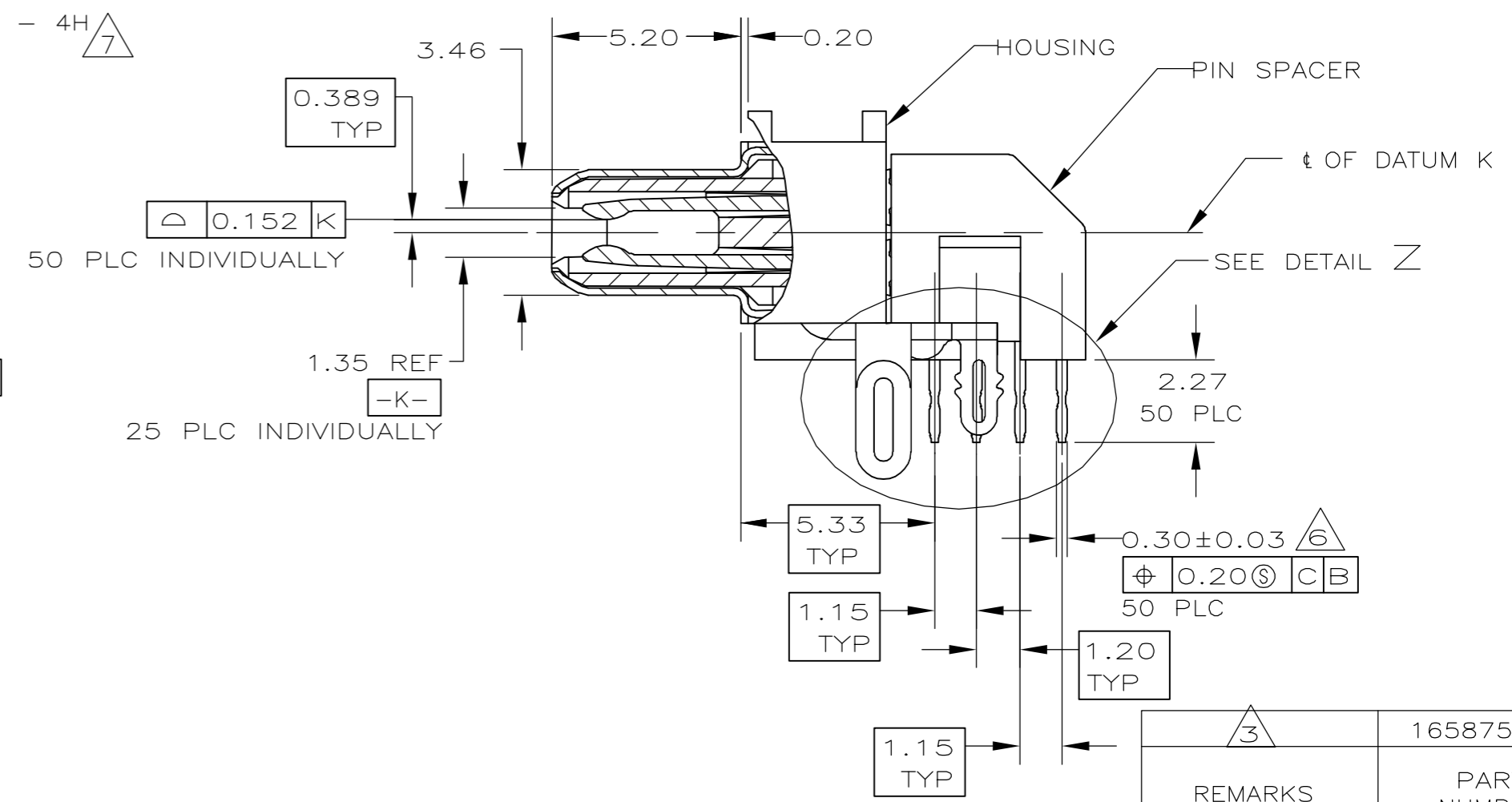
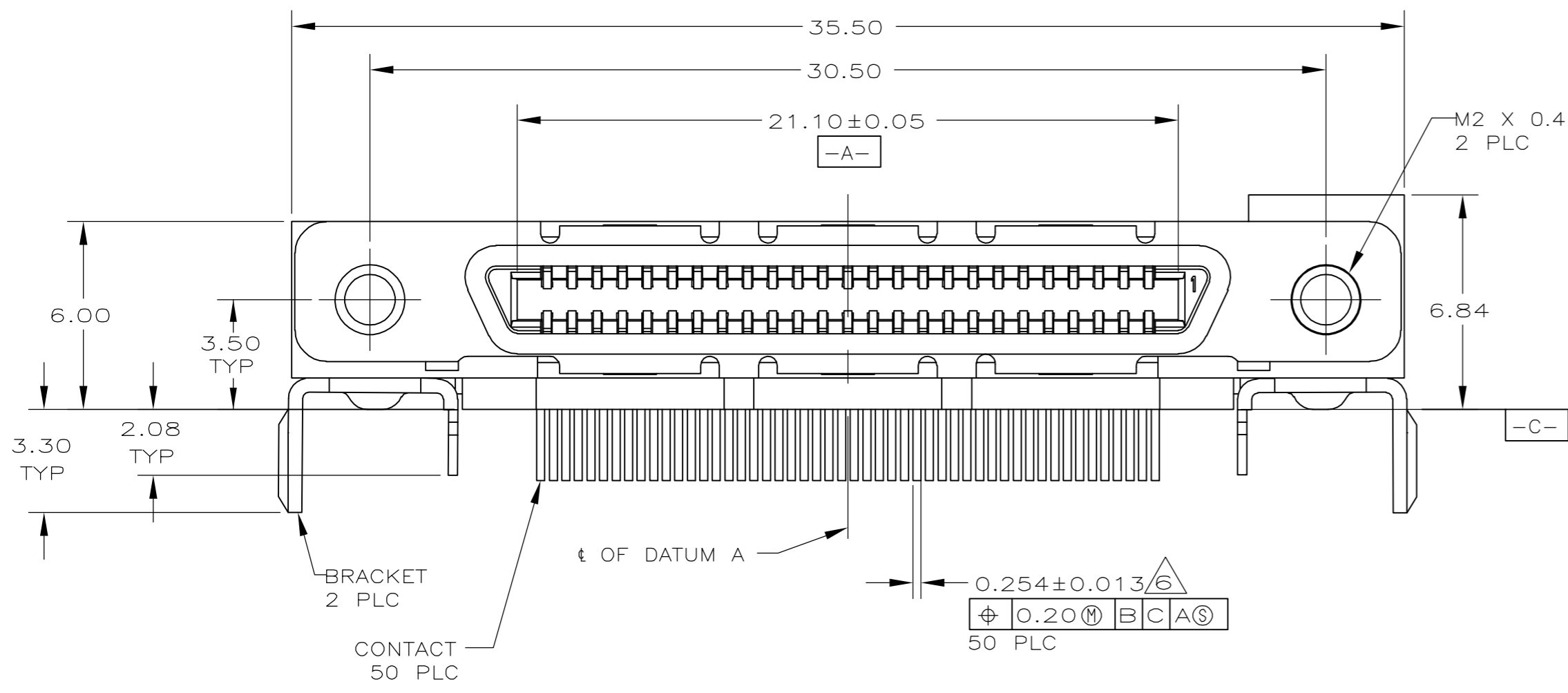


THIS DRAWING IS UNPUBLISHED. RELEASED FOR PUBLICATION
 © COPYRIGHT BY TYCO ELECTRONICS CORPORATION. ALL RIGHTS RESERVED.

LOC		DIST		REVISIONS			
P	LTR	DESCRIPTION		DATE	DWN	APVD	
GP	00	F		REVISED PER ECO-07-004221	30MAR07	JDP	EDB



- 1 HOUSING & PIN SPACER: THERMOPLASTIC, BLACK, UL 94V-0 RATED. SHELL: CARBON STEEL. CONTACTS: PHOSPHOR BRONZE. BRACKETS: STEEL.
- 2 SHELL: 5.08 μm MIN NICKEL OVER 2.54 μm MIN COPPER. CONTACTS: 0.76 μm MIN GOLD ON MATING END, 3.75 μm MIN TIN-LEAD ON SOLDER TAILS, BOTH OVER 1.27 μm MIN NICKEL ON ENTIRE CONTACT. BRACKETS: TIN PLATED.
- 3 CONTACTS DESIGNED FOR USE ON 1.60 ± 0.15 THICK PC BOARD WITH PLATED THRU MOUNTING HOLES.
- 4 RECEPTACLE ASSEMBLY DESIGNED FOR USE WITH 1.12 ± 0.08 THICK PANEL.
- 5 DATUMS AND DIMENSIONS ESTABLISHED BY CUSTOMER.
- 6 POSITION TOLERANCE APPLIES AT CONTACT TIP ONLY.
- 7 MAXIMUM TORQUE 0.45 N-M.
- 8 DATE CODE MARKED IN APPROXIMATE AREA SHOWN.

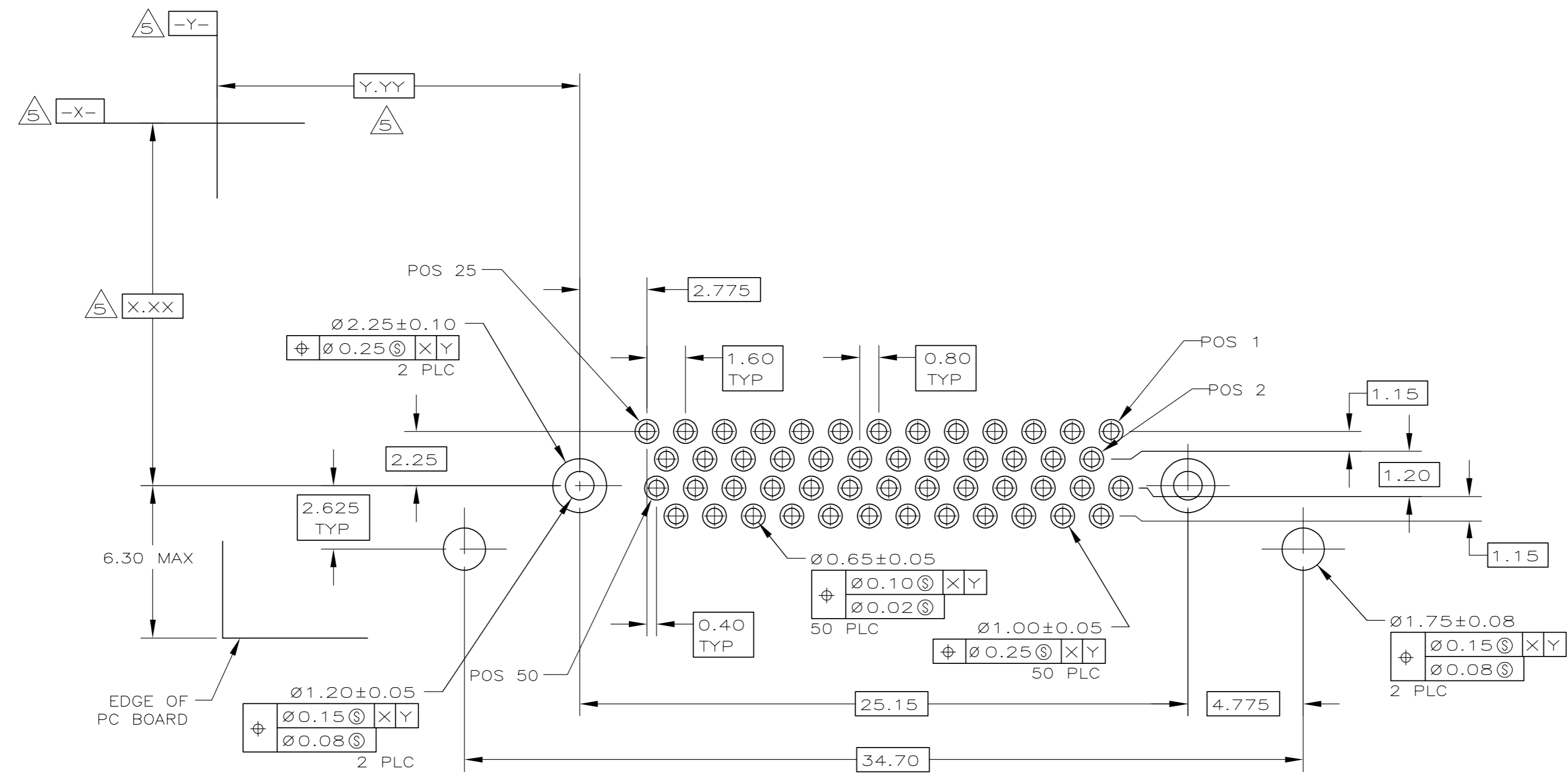


REMARKS	1658751-1
PART NUMBER	

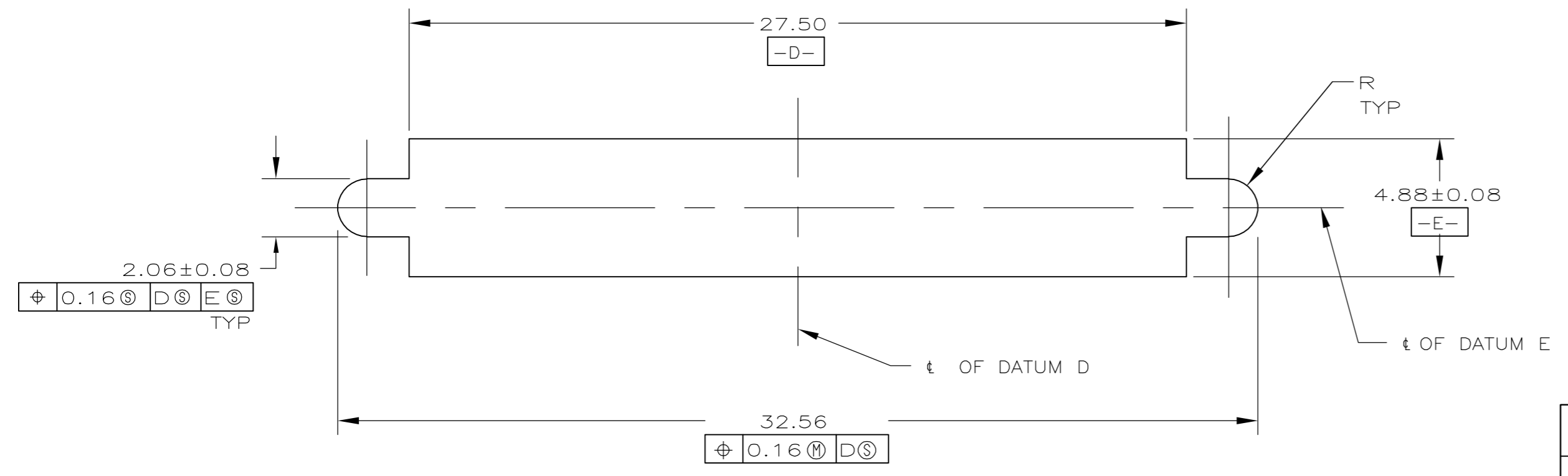
THIS DRAWING IS A CONTROLLED DOCUMENT.		DWN	T.SHUEY	09MAR05	Tyco Electronics Corporation Harrisburg, PA 17105-3608
DIMENSIONS: mm		CHK	J.GERACE	09MAR05	
TOLERANCES UNLESS OTHERWISE SPECIFIED:		APVD	M.WALMSLEY	09MAR05	
0 PLC ± - 1 PLC ± - 2 PLC ± 0.13 3 PLC ± - 4 PLC ± - ANGLES ± 1° FINISH		NAME	RECEPTACLE ASSEMBLY, 50 POSITION, SHIELDED, RIGHT ANGLE, CHAMP 0.8mm		
MATERIAL	1	WEIGHT	-	SIZE	A2
CUSTOMER DRAWING		SCALE	6:1	CAGE CODE	00779
		SHEET	1 of 2	DRAWING NO	C=1658751
		REV	F	RESTRICTED TO	-

THIS DRAWING IS UNPUBLISHED. RELEASED FOR PUBLICATION
 © COPYRIGHT BY TYCO ELECTRONICS CORPORATION. ALL RIGHTS RESERVED.

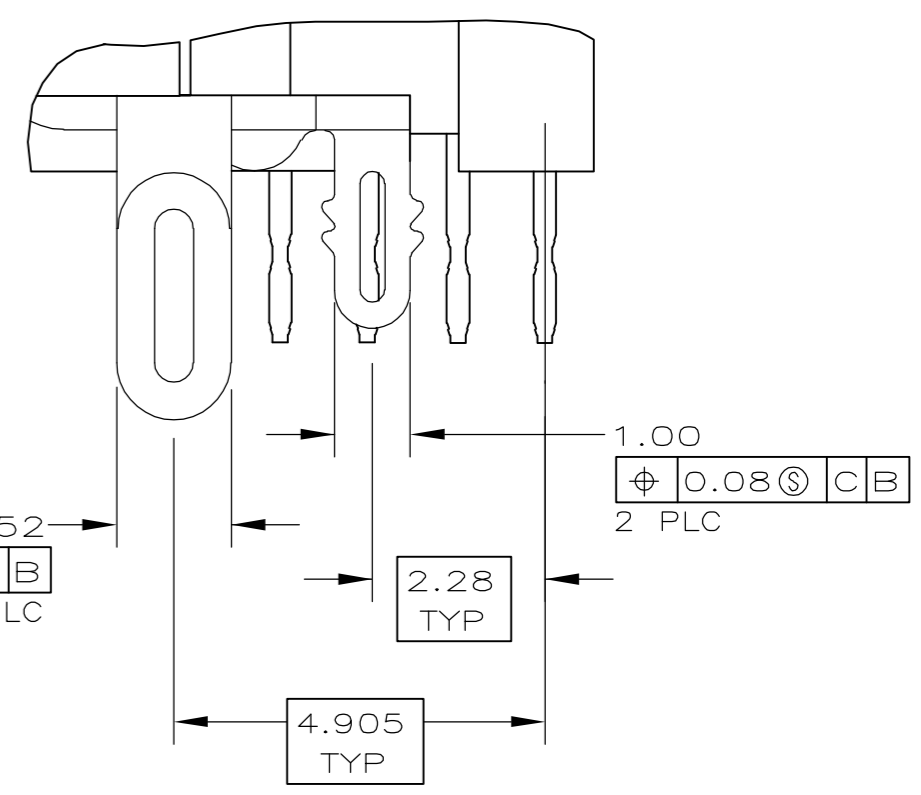
LOC		DIST		REVISIONS				
GP	00	P	LTR	DESCRIPTION	DATE	DWN	APVD	
		-		SEE SHEET 1	-	-	-	



PC BOARD MOUNTING DIMENSIONS Δ 3



PANEL CUT-OUT DIMENSIONS Δ 4



DETAIL Δ
SCALE 10:1

THIS DRAWING IS A CONTROLLED DOCUMENT.		DWN	T.SHUEY	09MAR05	 Tyco Electronics Corporation Harrisburg, PA 17105-3608	
DIMENSIONS:		CHK	J.GERACE	09MAR05		
mm		APVD	M.WALMSLEY	09MAR05		
TOLERANCES UNLESS OTHERWISE SPECIFIED:		PRODUCT SPEC				
0 PLC	± -	APPLICATION SPEC			NAME	RECEPTACLE ASSEMBLY, 50 POSITION, SHIELDED, RIGHT ANGLE, CHAMP 0.8mm
1 PLC	± -				SIZE	A2
2 PLC	± 0.13				CAGE CODE	00779
3 PLC	± -				DRAWING NO	C=1658751
4 PLC	± -				RESTRICTED TO	-
ANGLES	± 1°				SCALE	6:1
MATERIAL		WEIGHT			SHEET	2 of 2
FINISH		CUSTOMER DRAWING			REV	F